

INSTALLATION INSTRUCTION

Cube Architectural Color Tunable - Wall Mount

DC-WS05-CC, DC-WD05-CC

WAC LIGHTING

WARNING

IMPORTANT: NEVER attempt any work without shutting off the electricity.

- Read all instructions before installing.
- System is intended for installation by a qualified electrician in accordance with the National Electrical Code and local regulations.
- Go to the main fuse box, or circuit breaker. Place the main power switch in the "OFF" position and unscrew the fuse(s) or switch "OFF" the circuit breaker switch(es) that control the power to the fixture or room that you are working on.
- Place the wall switch in the "OFF" position.

CAUTION

- All parts must be used as indicated in these instructions. Do not substitute any parts, leave parts out, or use any parts that are worn out or broken. Failure to follow this instruction could invalidate the ETL/CETL listing of this fixture.
CAUTION When handling the fixture, do not apply pressure to the LEDs. Hold the fixture by the base only.

AVERTISSEMENT

IMPORTANT : Coupez l'électricité avant TOUTE manipulation.

- Lisez toutes les instructions avant d'installer.
- Système est destiné à être installé par un électricien qualifié en conformité avec le code national de l'électricité et les règlements locaux.
- Accédez au panneau central de disjoncteurs ou de fusibles de votre demeure et placez l'interrupteur principal en position d'arrêt (« OFF »).
- Placez l'interrupteur mural en position d'arrêt (« OFF »).

MISE EN GARDE

- Toutes les pièces doivent être utilisées tel qu'il est indiqué dans ces instructions. Ne remplacez pas les pièces, n'en laissez pas de côté et ne les utilisez pas si elles sont usées ou brisées. Le non-respect de ces instructions peut annuler l'homologation ETL/CETL du luminaire. MISE EN GARDE Ors de la manipulation de l'appareil, ne pas appliquer de pression à la LED, tenir l'appareil par la seule base.

ADVERTENCIA

IMPORTANTE: NUNCA intente hacer trabajos sin desconectar el suministro eléctrico.

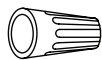
- Lea y comprenda todas las instrucciones e ilustraciones por completo antes de proceder con el ensamblaje e instalación de esta lámpara.
- Sistema está diseñado para ser instalado por un electricista calificado, de acuerdo con el código eléctrico nacional y las normas locales.
- Diríjase a la caja de fusibles o a la caja del interruptor de circuito principal en su hogar. Coloque el interruptor de alimentación principal en la posición "OFF" (APAGADO).
- Coloque el interruptor de la pared en la posición "OFF" (APAGADO).

PRECAUCIÓN

- Todas las piezas deben usarse como lo indican estas instrucciones. No reemplace las piezas, no omita piezas durante la instalación ni utilice piezas gastadas o rotas. El incumplimiento de esta indicación podría invalidar la calificación ETL/CETL esta lámpara. PRECAUCIÓN Al manipular el aparato, no aplique presión a los LED, mantenga el aparato en la base sólo.

HARDWARE

FIG.1



Wire Connector
Qty: 10pcs
7EAC112201
P3



Junction Box Screw
Qty: 2pcs + 1pc Extra
7MPF0825F1
#8-32 Long 1"
Steel Electroplating IN



Plastic Gasket
Qty: 3pcs
7TGD070101 (WT/BK/GH/DZ)

wacighting.com
Phone (800) 526.2588
Fax (800) 526.2585

Headquarters/Eastern Distribution Center
44 Harbor Park Drive
Port Washington, NY 11050

Central Distribution Center
1600 Distribution Ct
Lithia Springs, GA 30122

Western Distribution Center
1750 Archibald Avenue
Ontario, CA 91760

INSTALLATION INSTRUCTION

Cube Architectural Color Tunable - Wall Mount

DC-WS05-CC, DC-WD05-CC

WAC LIGHTING

OVERVIEW

It is surface mount down light, included ceiling mount, pendant mount, single direction wall wash and up-down direction wall wash. Check catalog for various mount type, size, beam angle and color choices.

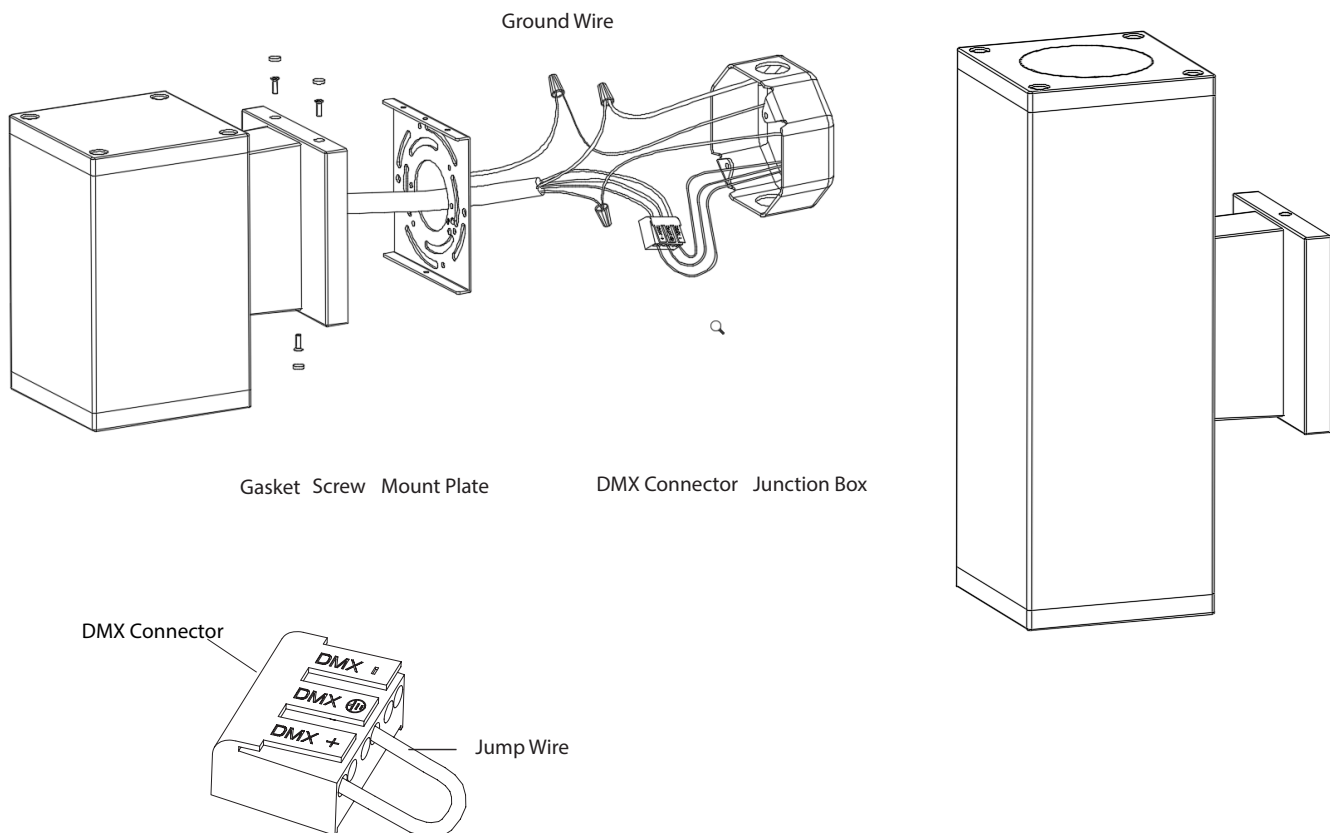
FIXTURE INSTALLATION

1. Carefully unpack your new fixture and lay out all the parts on a clear area. Be carefully not to lose any small parts necessary for installation. (See **FIG.1**)
2. Remove the screws holding mounting plate to fixture, and remove mounting plate from fixture. (See **FIG.2**)
3. Pull fixtures wires to the junction box through the mounting plate. Attach the DMX Connector to the fixture wires (see wiring diagrams on **Page 5**). For line voltage input, connect the black fixture wire to hot wire, white fixture wire to neutral wire; line voltage ground may be connected to the fixture ground screw. Refer to the [ilumenight Color Changing App Instruction](#) for initial fixture setup and control.
NOTE: For installations that do not require DMX control, the Jump Wire must remain attached to the DMX connector. (See **FIG.2**)

To utilize DMX, remove the jumper wire from the DMX connector, and insert wires from the DMX signal source or controller. After wires are connected securely, tuck them carefully inside the junction box.

4. Secure mounting plate to the junction box in wall provided by others. (See **FIG.2**)
5. Put the fixture to the mounting plate, and secure with screws and gasket. (See **FIG.2**)

FIG.2



wacighting.com
Phone (800) 526.2588
Fax (800) 526.2585

Headquarters/Eastern Distribution Center
44 Harbor Park Drive
Port Washington, NY 11050

Central Distribution Center
1600 Distribution Ct
Lithia Springs, GA 30122

Western Distribution Center
1750 Archibald Avenue
Ontario, CA 91760

INSTALLATION INSTRUCTION

Cube Architectural Color Tunable - Wall Mount

DC-WS05-CC, DC-WD05-CC

WAC LIGHTING

COMPLETING THE INSTALLATION

To prevent moisture from entering the junction box and potentially causing a short, use clear caulking (i.e. indoor/outdoor silicone sealant) to outline the outside of fixture plate where it meets the wall leaving a space at bottom to allow moisture to escape.

CAUTION: This fixture is factory sealed and tested to meet Wet Location standards before shipment. Care should be taken when replacing internal components. The fixture should be re-sealed with all supplied hardware and gaskets. Failure to do so may result in the loss of fixture wet location integrity and a void of WAC warranty.

LENS REPLACEMENT

1. Remove panel assembly by loosening the fixture screw and gasket, remove two screws to change lens. (FIG.4)
2. Replace your beam angle lens on panel and put back two screws. (FIG.5)

FIG.4

Remove two screws

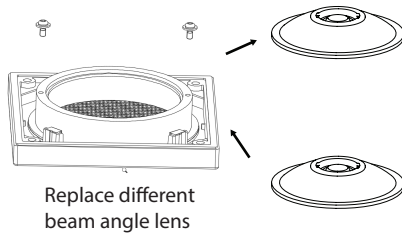
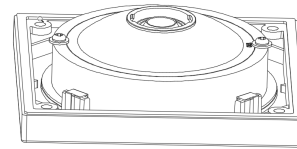


FIG.5



LED REPLACEMENT

1. Loosen the fixture screw and gasket (FIG.6), remove the panel assembly (FIG.7).
2. Unscrew LED module, remove LED connector and replace LED module. (FIG.8). See wiring diagrams on **Page 5** for internal wire combinations.

FIG.6

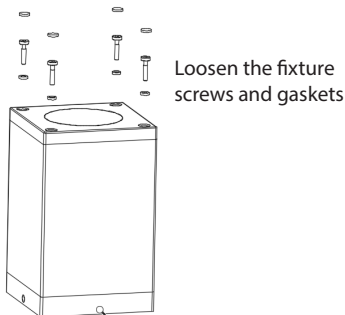


FIG.7

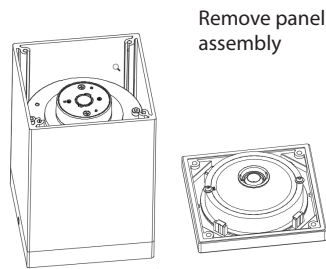
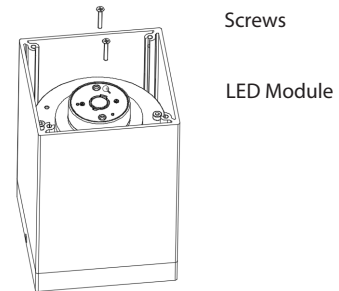


FIG.8



DC POWER SUPPLY REPLACEMENT

1. Loosen the fixture screw and gasket (FIG.9), remove the cover assembly (FIG.10).
2. Loosen the LED DC power supply screws, carefully disconnect LED from DC power supply and replace DC power supply (FIG.11).

FIG.9



FIG.10

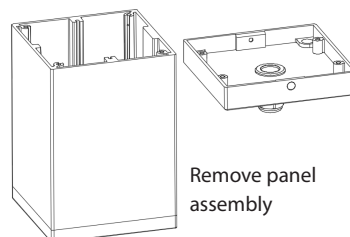
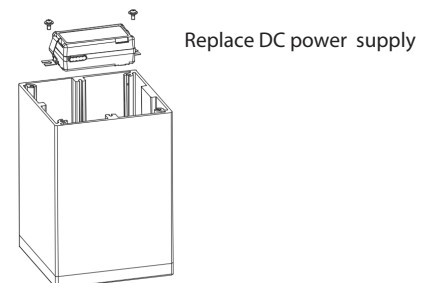


FIG.11



waclighting.com
Phone (800) 526.2588
Fax (800) 526.2585

Headquarters/Eastern Distribution Center
44 Harbor Park Drive
Port Washington, NY 11050

Central Distribution Center
1600 Distribution Ct
Lithia Springs, GA 30122

Western Distribution Center
1750 Archibald Avenue
Ontario, CA 91760

INSTALLATION INSTRUCTION

Cube Architectural Color Tunable - Wall Mount

DC-WS05-CC, DC-WD05-CC

WAC LIGHTING

REFLECTOR REPLACEMENT

1. Remove panel assembly by loosening the fixture screw and gasket, remove three clips to change reflector. **(FIG.12)**
2. Replace your reflector on panel and fix the clips. **(FIG.13)**

FIG.12

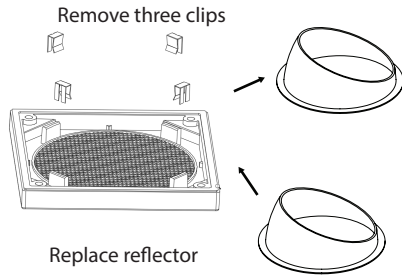
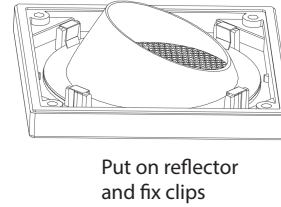


FIG.13



wacighting.com
Phone (800) 526.2588
Fax (800) 526.2585

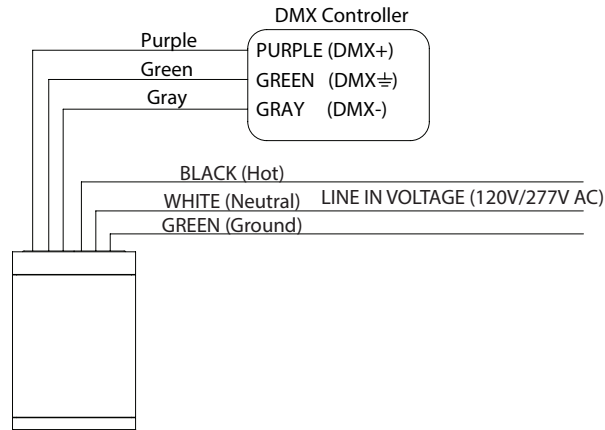
Headquarters/Eastern Distribution Center
44 Harbor Park Drive
Port Washington, NY 11050

Central Distribution Center
1600 Distribution Ct
Lithia Springs, GA 30122

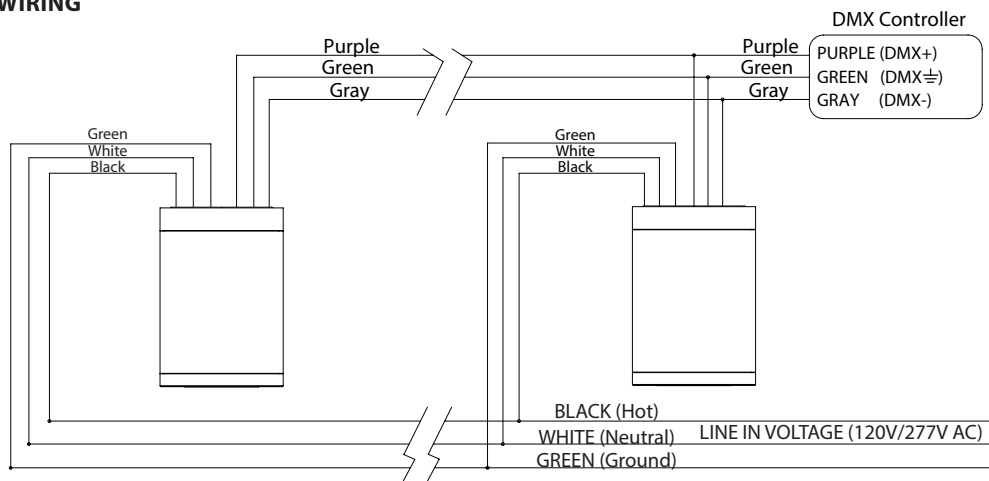
Western Distribution Center
1750 Archibald Avenue
Ontario, CA 91760

WIRING DIAGRAMS

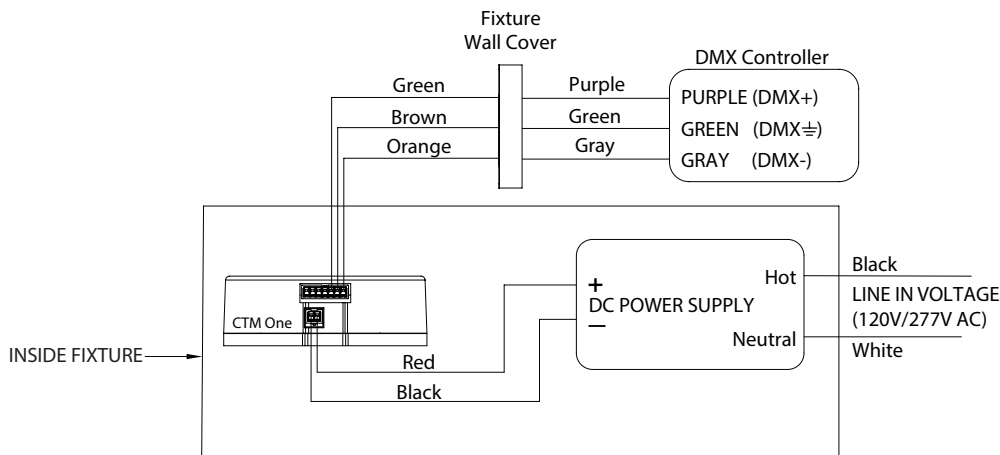
SINGLE FIXTURE WIRING



MULTIPLE FIXTURE WIRING



SINGLE FIXTURE (INTERNAL WIRING) - FOR LED MODULE REPLACEMENT



CTM MODULE WIRING CHART

LEAD COLOR	INPUT
Red	24V Positive
Black	24V Negative
Green	DMX+
Orange	DMX-
Brown	DMX≐