



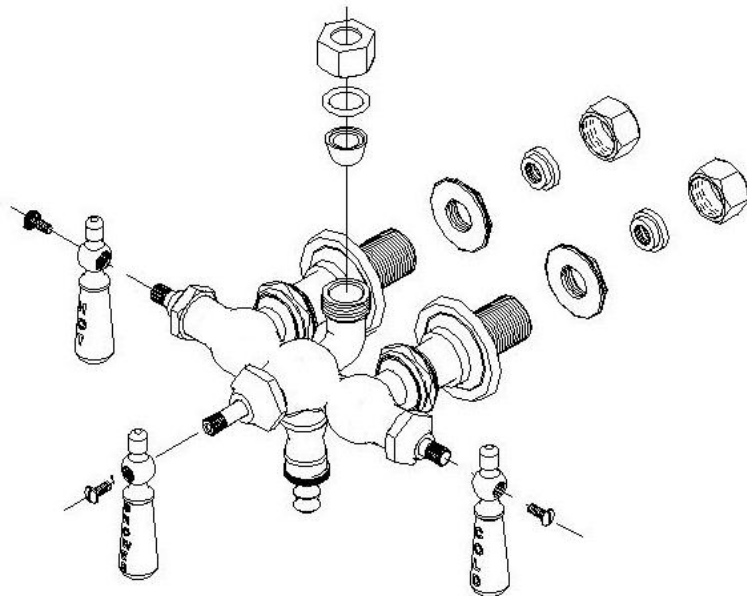
Installation Information

Item #P0006

Leg Tub Diverter Faucet, 3 3/8" Centers

Warranted only when installed by a qualified, licensed plumber. Please use Teflon tape on all threaded connections.

1. Shut off the water supply to the fixture before installation.
2. Insert the faucet body inlet tubes through the 2 holes on the tub. Screw the lock nuts onto the threaded shanks and tighten to secure the faucet to your tub.
3. Attach the handles with the screws provided.
4. This diverter faucet has an outlet to add either a handheld shower or riser, sold separately.
5. Attach your supply lines to the 3/4" IPS faucet inlet tubes.
6. Make no adjustments to valves or valve stems. They are tested at the factory for optimum performance.



Parts Included:

- Faucet Body, 3 3/8" centers
- Handles (3)
- Lock Down Nuts
- Supply Nuts & Washers