

# OCULUX ARCHITECTURAL 3.5" LED RECESSED

New Construction and Remodel Housing

# WAC LIGHTING

Responsible Lighting®

## SPECIFICATIONS

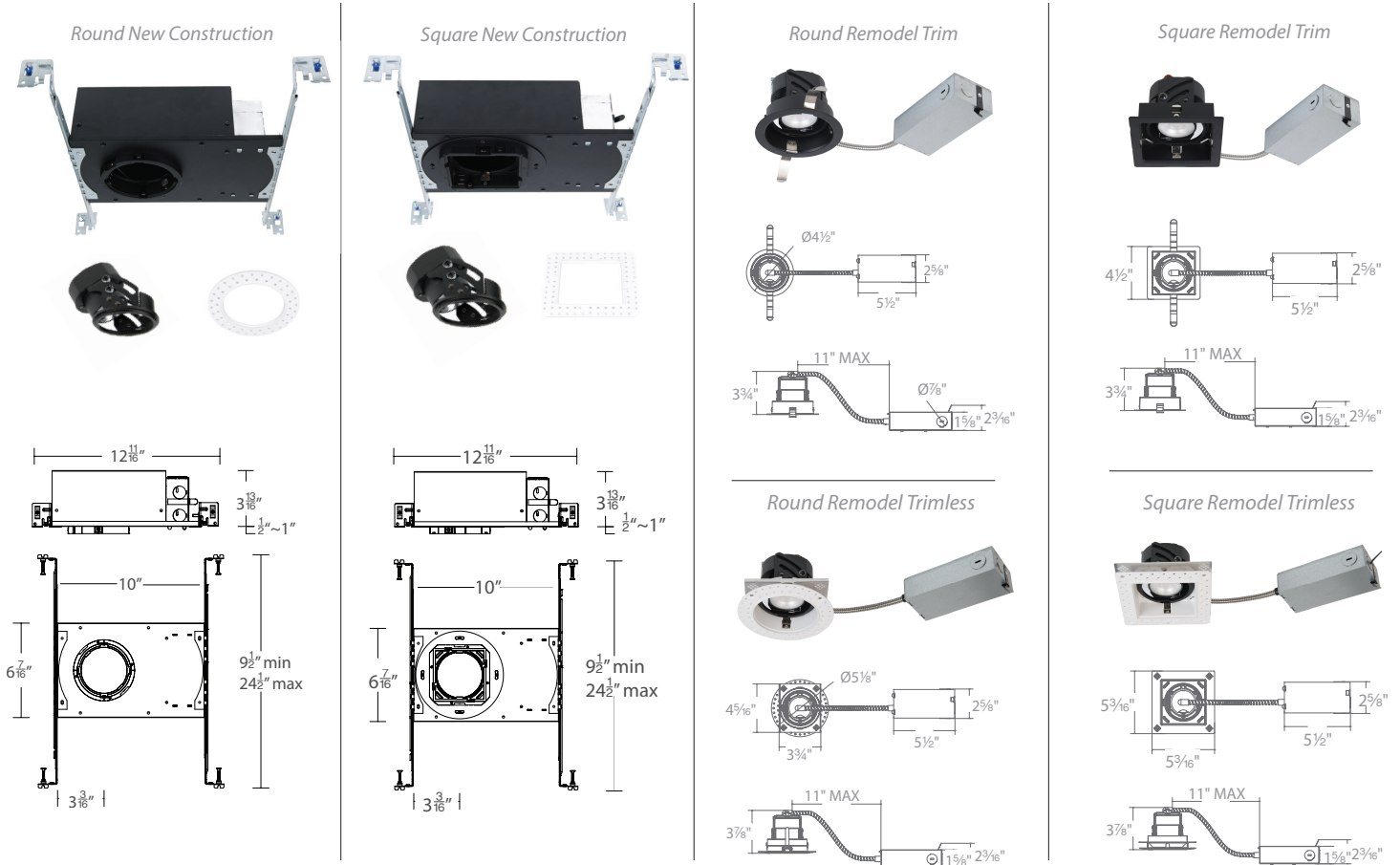
<b>Construction:</b>	20 Gauge cold rolled steel
<b>Dimming:</b>	100% - 5% 0-10V
<b>Input:</b>	100% - 1% ELV, TRIAC
<b>Cut out:</b>	120 - 277V AC
<b>Ceiling Thickness:</b>	New Construction: 4¼", Remodel: 3⅞"
<b>Mounting:</b>	½" - 1"
<b>Standards:</b>	Retention clips firmly hold light engine to housing
<b>Warranty:</b>	UL&cUL 5 year WAC Lighting product warranty

Fixture Type:

Catalog Number:

Project:

Location:



## HOUSINGS

	Model		Rating	Power	CRI (90) CCT	Color Temp
Round	<b>R3CRN</b> Round New Construction		IC Airtight	<b>11 W</b>	<b>927</b>	2700K
	<b>R3CRR</b> Round Remodel Trim		Non IC		<b>930</b>	3000K
	<b>R3CRRL</b> Round Remodel Trimless		Non IC		<b>935</b>	3500K
					<b>940</b>	4000K
Square	<b>R3CSN</b> Square New Construction		IC Airtight	<b>11 W</b>	<b>927</b>	2700K
	<b>R3CSR</b> Square Remodel Trim		Non IC		<b>930</b>	3000K
	<b>R3CSRL</b> Square Remodel Trimless		Non IC		<b>935</b>	3500K
					<b>940</b>	4000K

**R3C** \_\_\_\_\_ **-11-** \_\_\_\_\_  
Example: R3CRN-11-927

**wacighting.com**  
Phone (800) 526.2588  
Fax (800) 526.2585

**Headquarters/Eastern Distribution Center**  
44 Harbor Park Drive  
Port Washington, NY 11050

**Central Distribution Center**  
1600 Distribution Ct  
Lithia Springs, GA 30122

**Western Distribution Center**  
1750 Archibald Avenue  
Ontario, CA 91760