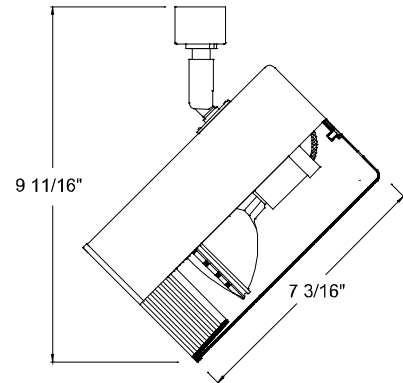
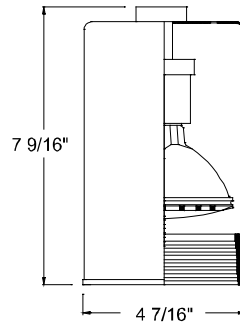


<b>CATALOG NUMBER</b>	<b>TYPE</b>
<b>PROJECT</b>	

**LINE VOLTAGE TRACK HEAD** **SERIES 704**





Ordering Matrix		
Model	Series	Finish
<input type="text"/> <input type="text"/> <input type="text"/>	<input type="text"/> <input type="text"/> <input type="text"/>	<input type="text"/> <input type="text"/> <input type="text"/>
HTK    JTK    LTK	704	BK            WT

Ordering Example (model – series – finish): HTK-704-BK

Product Details	
<b>Description:</b>	Line voltage track head for use with W.A.C. brand H, L, J & J2 series track systems. In addition it may fit other manufacturer's original track (consult factory for specific brands).
<b>Materials:</b>	Metal track head with black plastic baffle and polycarbonate track adaptor. Medium base 250V porcelain socket with nickel-plated copper screw shell.
<b>Aiming:</b>	350° horizontal rotation and 90° vertical aiming. The ball and hub style aiming allows easy and fine adjustment to the desired angle.
<b>Lamping:</b>	Uses medium base A, PAR30 or R30 lamps, 100W max. 120 volt. Lamps sold separately.
<b>Systems:</b>	HTK is used with the W.A.C. H system track (HT). JTK is used with the W.A.C. J system and J2 system track (JT & J2-T). LTK is used with the W.A.C. L system track (LT)
<b>Finish:</b>	Abrasion resistant Black (BK) and White (WT) paint finish.
<b>Listing:</b>	UL & CUL Listed. 5 year W.A.C. Lighting product warranty.

Specification Features
<ul style="list-style-type: none"> <li>Classic "flatback" style track head provides maximum installation convenience with its ability to work on four different track systems.</li> <li>The 704 series track head utilizes the second circuit on the J2 style track with the use of the JClip (ordered separately).</li> <li>Line voltage track head extensions are available for the H system, available in 18", 24", 36" and 48" lengths. Add H18, H24, H36 or H48 to ordering code. Ordered as Black or white.</li> </ul>

Compatible Accessories	
<p><b>JCLIP</b> Ordered when using track heads on 2<sup>nd</sup> circuit of J2 style track.</p>  <p>Order as JCLIP</p>	<p><b>Line Voltage Extensions</b> Extend HTK-704 track heads. Available in 18", 24", 36", 48"</p>  <p>Order as H(<i>length</i>)</p>