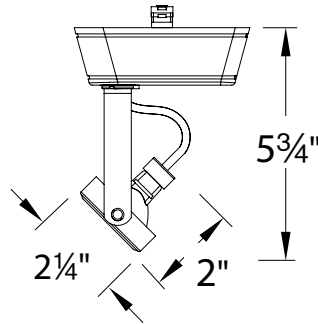


Model: 180

120V Track MR16 Luminaire

WAC LIGHTING

Responsible Lighting®



Fixture Type:

Catalog Number:

Project:

Location:

PRODUCT DESCRIPTION

Low Voltage luminaire with die-cast aluminum construction and swivel yoke for precise aiming.

FEATURES

- Available with LED lamp option
- Swivel arm for easy aiming
- 350° horizontal rotation and 90° vertical aiming
- Clear lens included (Halogen version)
- Dimmable
- 5 year fixture warranty/3 year LED lamp warranty

SPECIFICATIONS

Construction: Die-cast aluminum track head with polycarbonate transformer case and track adapter. Bi-pin ceramic socket for MR16 lamp.

Finish: Powder coated Black (BK), White (WT), and Electroplated Brushed Nickel (BN).

Transformer: LED Version - 1W minimum load.
Halogen Version - 20W minimum load (1W minimum load available). Consult factory for more details.

Lamp: 180 model uses 12V MR16, 50W max lamp (not included).
180L model uses 12V MR16, 75W max (not included).
180LED model uses a 12V, 8W MR16 LED lamp (included).
450 lumens, 3000K CCT, 25,000 hour rated life, CRI: 85.

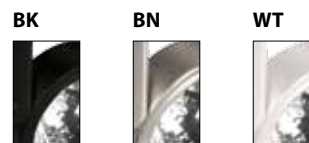
Dimming: With electronic low voltage (ELV) dimmer, LED lamp dims to 10%; Halogen lamp dims to 1%.

Standards: UL & CUL Listed.

ORDER NUMBER

System	Model #	Power	Lamp	Finish
LHT L Track	180LED	8W	LED	BK Black
HHT H Track	180	50W	Halogen	BN Brushed Nickel
JHT J/J2 Track	180L	75W	Halogen	WT White

FINISHES



- -

Example: LHT-180LED-BN

ACCESSORIES

Color Lens	LENS-16-	AMB Amber	BLU Blue	GRN Green	RED Red	YEL Yellow	UV Filter	Frosted Lens	Spread Lens	Beam Elongating Lens	Honeycomb Louver	LENS-16-UVF	LENS-16-FR	LENS-16-SPR	LENS-16-BEL	LENS-16-HCL
------------	----------	-----------	----------	-----------	---------	------------	-----------	--------------	-------------	----------------------	------------------	-------------	------------	-------------	-------------	-------------

WAC Lighting
www.waclighting.com
Phone (800) 526.2588 • Fax (800) 526.2585

Headquarters/Eastern Distribution Center
44 Harbor Park Drive • Port Washington, NY 11050
Phone (516) 515.5000 • Fax (516) 515.5050

Western Distribution Center
1750 Archibald Avenue • Ontario, CA 91760
Phone (800) 526.2588 • Fax (800) 526.2585