

# TEAR SHEET



## Stratford Gas Post Light

Item # CHO 7450SC-CG

Designer: Chapman & Myers

Height: 35.25"

Width: 18"

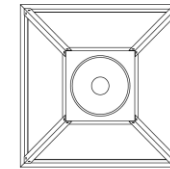
Finishes: BLK, SC

Glass Options: CG

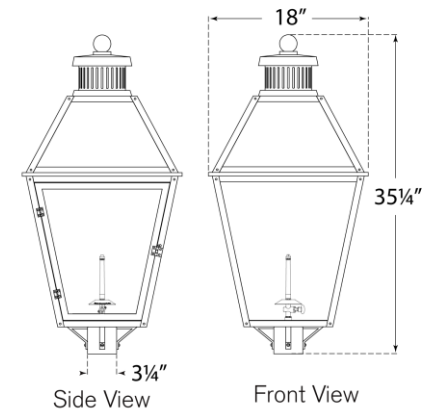
Single Burner

Wattage: 900 - 1400 BTU

Note: Pure 24-30 Ounce Copper | Brass Details and Iron Hardware | Natural Gas Only | Adjustable Vents | Professional Installation Only | Limited Lifetime Warranty  
Copper and Brass Will Patina



Top View



Side View

Front View

Gas light fixture supplied with 3/16" copper gas line and 3/16" x 1/4" gas line adaptor