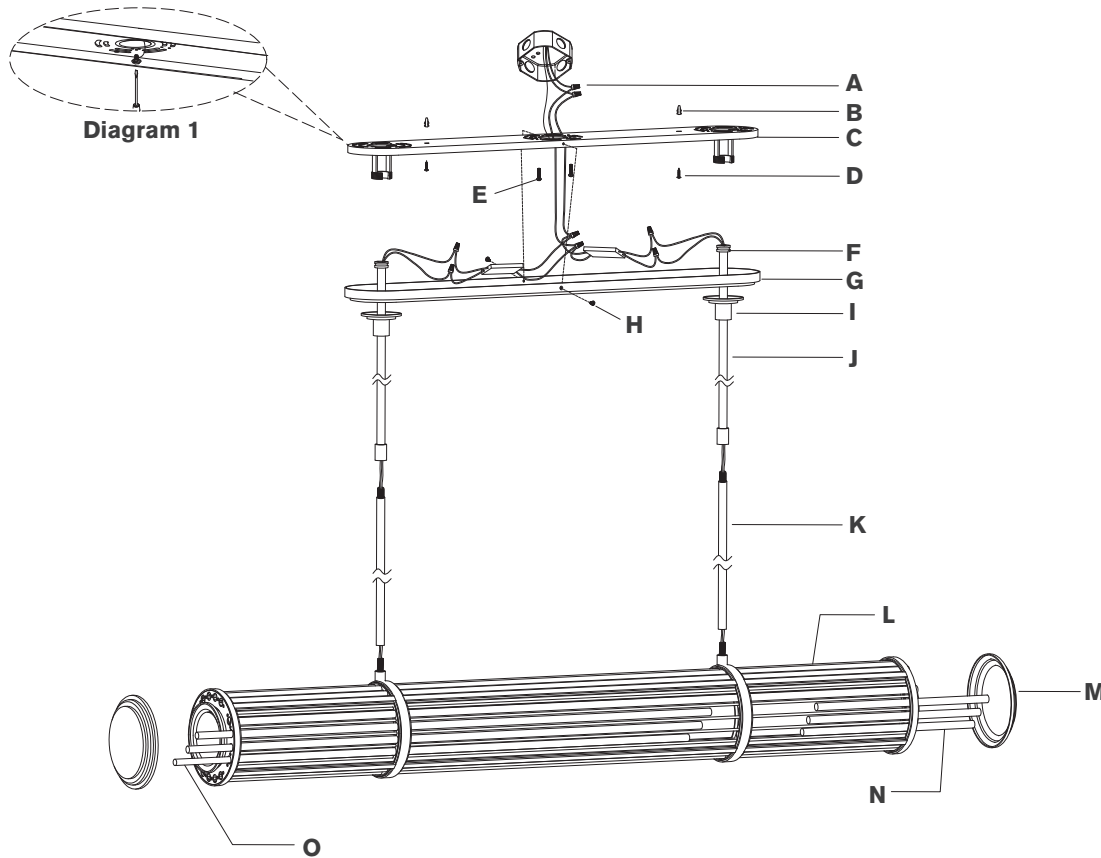


## ASSEMBLY INSTRUCTIONS



O 16pcs

915 mm

N 16pcs

305 mm

## Perren Large Linear Chandelier

Item # RL5724

### NOTICE:

This light fixture should be installed in accordance with all applicable, local installation codes, and by a person familiar with the construction and operation of it, as well as the hazards involved. Inspect item and contents carefully. If any damage or defect is found, do not install. Retain all packaging material until installation is complete and approved.

### TOOLS REQUIRED (NOT INCLUDED):

Phillips Screwdriver

Slotted Screwdriver

Wire Cutters

Wire Strippers

Drill

Hammer

### PERSONS REQUIRED: Two

- Carefully remove all parts from the box. Place on a clean, soft surface.
- Remove mounting plate (C) from canopy (G) by removing collar rings (I).
- Using the mounting plate (C) as a guide, line up with the ceiling and mark anchor positions.
- Using drill bit slightly smaller than the anchor, drill holes in the marked positions. Install anchor (B) into the holes using hammer.
- Install mounting plate (C) to junction box and secure with mounting screws (E), then secure wood screws (D) to anchor (B).
- Feed electrical through bottom rods (K) and connect to fixture body (L).
- Continue feeding wires through collar rings (I), canopy (G) and top rods (J).
- Holding fixture upright, slide collar rings (I) and canopy (G) down bottom rods (K) and rest on fixture body (J). Then connect top rods (J) to bottom rods (K).

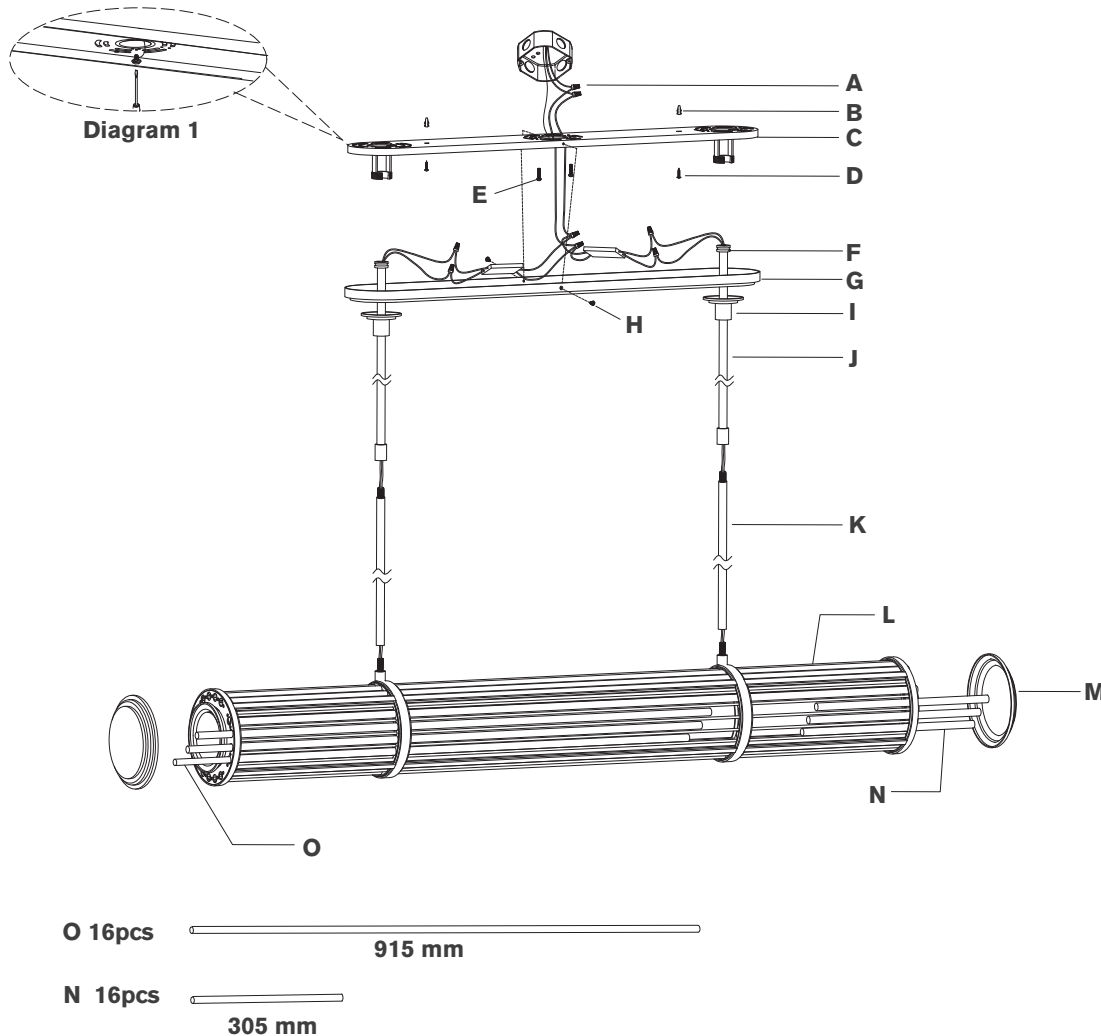
**NOTE:** It is recommended to have a helper assist in supporting the fixture for steps 8-9.

**NOTE:** Slide components down slowly to avoid damages.

# RALPH LAUREN



## ASSEMBLY INSTRUCTIONS



## Perren Large Linear Chandelier

Item # RL5724

### NOTICE:

This light fixture should be installed in accordance with all applicable, local installation codes, and by a person familiar with the construction and operation of it, as well as the hazards involved. Inspect item and contents carefully. If any damage or defect is found, do not install. Retain all packaging material until installation is complete and approved.

9. Hang both sides of fixture by top mount **(F)** to the center of mounting plate **(B)**, then secure set screws **(P)** using provided wrench.
10. Cut excess wires, being sure to leave length to reach the junction box.
11. Separate two sides of molded wire, and strip insulation on each 5/8".
12. Connect fixture neutral wires (black) to the driver output neutral wires (black) using wire nut **(A)**.
13. Connect fixture hot wires (red) to the driver output hot wires (red) using wire nut **(A)**.
14. Connect supply ground wire (usually green or bare copper) around the green grounding screw (see diagram 1). Tighten.  
**NOTE:** It is imperative that the fixture is grounded.
15. Connect driver input neutral wire (white) to the supply neutral wire (usually white) using wire nut **(A)**.
16. Connect driver input hot wire (black) to the supply hot wire (usually black) using wire nut **(A)**.  
**CAUTION:** Do not reverse the hot and neutral connections.
17. Make sure all wire connections are tight, then carefully tuck into the junction box.
18. Install canopy **(G)** to the mounting plate **(C)** and secure with collar rings **(I)** and screws **(H)**.
19. Install glass rods **(O)** & **(N)** to the fixture **(L)**.
20. Thread end caps **(M)** to the fixture **(L)**.

**Care Instructions:** Clean only with a soft dry cloth or feather duster. Do not use abrasive or chemical agents.

# RALPH LAUREN

