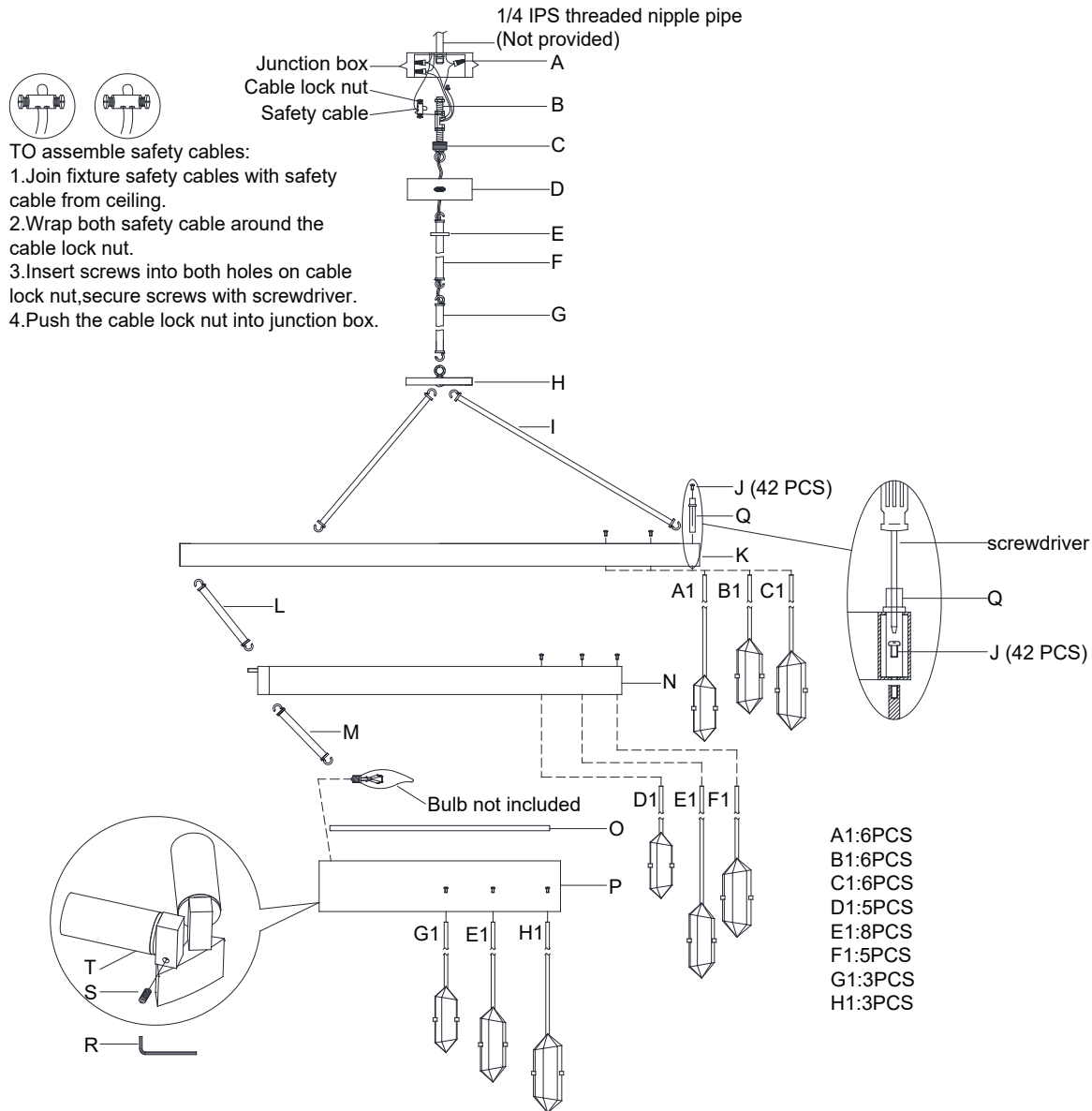


ASSEMBLY INSTRUCTIONS



Halcyon Large Three Tier Chandelier

Item # KW 5012

WE RECOMMEND INSTALLATION OF THIS LIGHTING FIXTURE BE DONE BY A LICENSED ELECTRICIAN.

WARNING*SWITCH OFF THE MAIN ELECTRICAL SUPPLY FROM THE MAIN FUSE BOX/CIRCUIT BREAKER BEFORE INSTALLATION.**

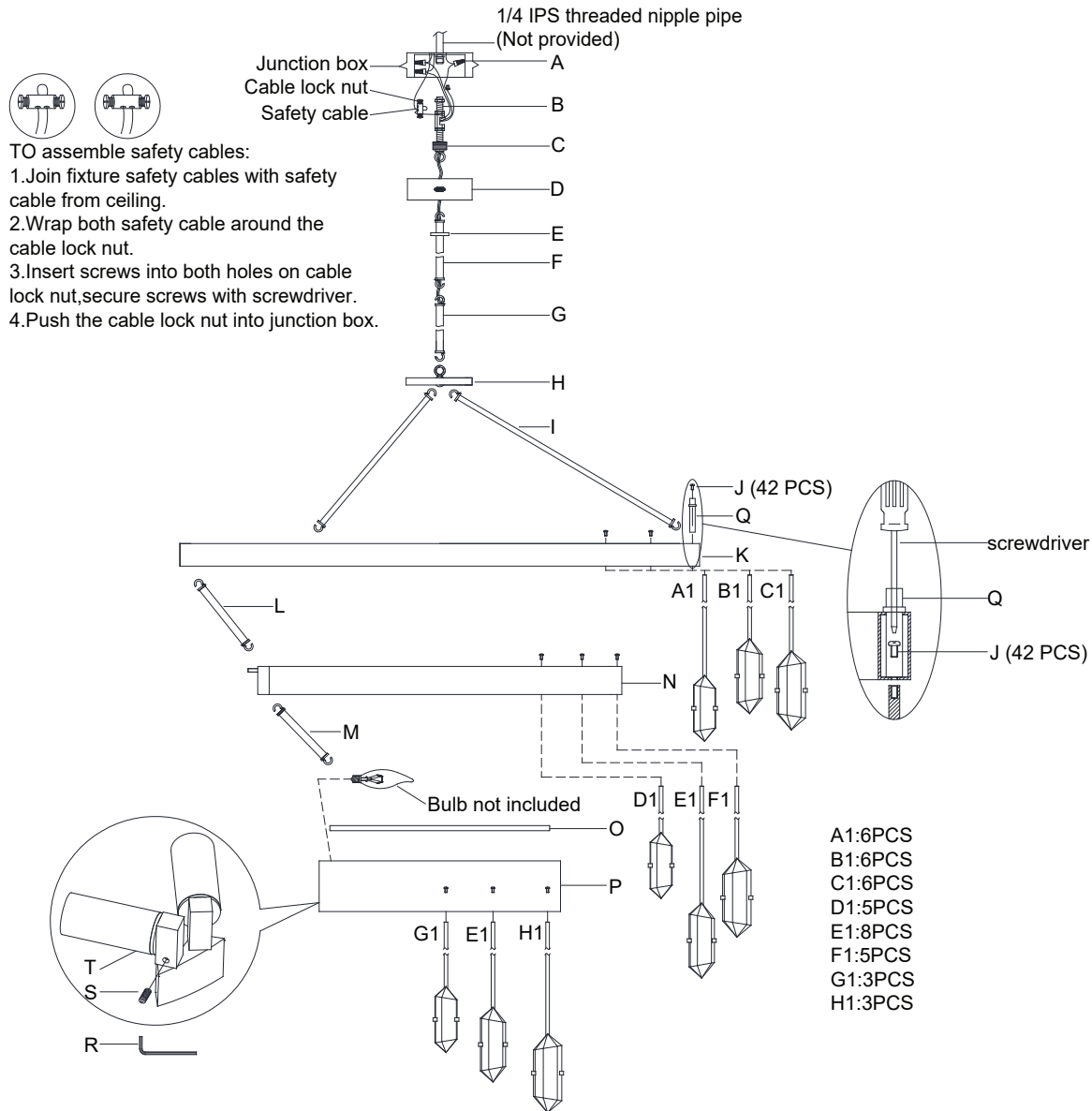
INSPECT ITEM CAREFULLY BEFORE ATTEMPTING TO INSTALL. IF THERE IS ANY DAMAGE OR OBVIOUS DEFECT. DO NOT INSTALL.

ITEM MAY NOT BE RETURNED ONCE IT HAS BEEN INSTALLED.

NOTE: CAREFULLY UNPACK EACH PIECE IN TOP LAYER OF PACKING PRIOR TO REMOVING. RETAIN ALL PACKING MATERIAL UNTIL INSPECTION AND INSTALLATION ARE FINAL.

- Carefully remove all parts from the box.
- Remove the collar loop (C) from the canopy (D) by loosening the collar ring (E).
- A 1/4 IPS pipe must be installed through the junction box and secured to a structural member of the building. This item must hang independently of the junction box. Then install the threaded nipple (B) into the 1/4 IPS PIPE.
- Install the canopy (D) to collar loop (C) and secure with collar ring (E). If needed, adjust collar loop (C) height by loosening hex nuts and screwing collar loop (C) up or down then re-secure.
- Feed the fixture wires and safety cable through the metal plate (H), rod (G) and rod (F).
- Hang the rod (F) to the collar loop (C), then hang the rod (G) to the rod (F), then hang the metal plate (H) to the rod (G).
- Attach the rods (I) to the metal plate (H), then attach the opposite side to the metal ring (K).
- Attach the rods (L) to the metal ring (K), then attach the opposite side to the metal ring (N).
- Attach the rods (M) to the metal ring (N), then attach the opposite side to the metal ring (P).
- Loosen the set screws (S) with using the wrench (R), then rotate the socket cup (T).
- Insert the glass diffuser (O) to the inside of the metal ring (P), then secure the set screws (S).
- Measure the wires then cut, be certain to leave enough length to connect the wires in the junction box.
- Strip the insulation on the fixture wires about 5/8".
- Loosen the collar ring (E) and let the canopy (D) slip down the rod (F) and rod (G) carefully.
- Twist the fixture wires and safety cable together and push through the center hole of the collar loop (C).

ASSEMBLY INSTRUCTIONS



Halcyon Large Three Tier Chandelier

Item # KW 5012

WE RECOMMEND INSTALLATION OF THIS LIGHTING FIXTURE BE DONE BY A LICENSED ELECTRICIAN.

WARNING*SWITCH OFF THE MAIN ELECTRICAL SUPPLY FROM THE MAIN FUSE BOX/CIRCUIT BREAKER BEFORE INSTALLATION.**

INSPECT ITEM CAREFULLY BEFORE ATTEMPTING TO INSTALL. IF THERE IS ANY DAMAGE OR OBVIOUS DEFECT. DO NOT INSTALL.

ITEM MAY NOT BE RETURNED ONCE IT HAS BEEN INSTALLED.

NOTE: CAREFULLY UNPACK EACH PIECE IN TOP LAYER OF PACKING PRIOR TO REMOVING. RETAIN ALL PACKING MATERIAL UNTIL INSPECTION AND INSTALLATION ARE FINAL.

16. Run safety cable through junction box and install to structural member of the building. Secure using cable lock nut as shown in figure.
17. Connect the fixture ground wire to the ground wire in the junction box using the wire nut (A). IT IS IMPERATIVE THAT THIS FIXTURE BE GROUNDED.
18. Connect the fixture ribbed wire (no markings) to the neutral wire in the junction box using the wire nut (A).
19. Connect the fixture smooth wire (with markings) to the hot wire in the junction box using the wire nut (A). DO NOT REVERSE THE HOT AND NEUTRAL CONNECTIONS OTHERWISE SAFETY WILL BE COMPROMISED.
20. Carefully tuck the wire connections into the junction box.
21. Install the canopy (D) to the junction box and secure with the collar ring (E).
22. Put the screw tool (Q) to the drops holes on metal ring (P), then Install the drops (G1) & (E1) & (H1) to the bottom of the metal ring (P) and secure with the screws (J) using the screwdriver.
23. Put the screw tool (Q) to the drops holes on the metal ring (N), Install the drops (D1) & (E1) & (F1) to the bottom of the metal ring (N) and secure with the screws (J) with using the screw tool (Q).
24. Put the screw tool (Q) to the drops holes on the metal ring (K), Install the drops (A1) & (B1) & (C1) to the bottom of the metal ring (K) and secure with the screws (J) with using the screw tool (Q).
25. Insert bulbs (not included) into the sockets.
26. Installation is complete, turn on power at fuse or circuit breaker.

***Clean with a dry, soft cloth only. Use no harsh abrasives or chemical agents.

VISUAL COMFORT

