

Please go to [www.quoizel.com](http://www.quoizel.com) for product cleaning tips. Go to the **Care + Maintenance** selection.

**Tools Required:** Flathead screwdriver, Phillips screwdriver, pliers, wire cutters, wire strippers, electrical tape, safety glasses.

**Light Source:** (4) B10 Candelabra Base bulbs 60W Maximum, bulb not included.

**Estimated Assembly Time:** 30-45 minutes

**Preparation:** Identify and inspect all parts before beginning installation. Check package content list and diagrams below to ensure all parts are present. If any parts are missing or damaged, do not attempt to assemble, install, or operate the fixture. Missing Parts? Contact your original place of purchase.

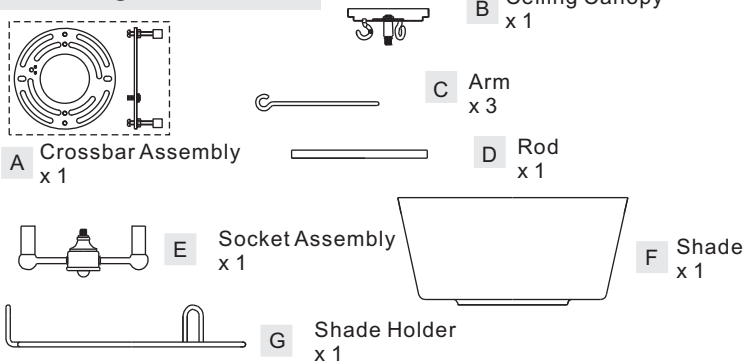
### **⚠ Warnings and Cautions**

Turn off electricity at circuit breaker or main fuse box before installation. Consult a licensed electrician if in doubt.

These instructions are provided for your safety. It is very important you read them completely before installing the fixture. We strongly recommend that a licensed, professional electrician perform the installation.

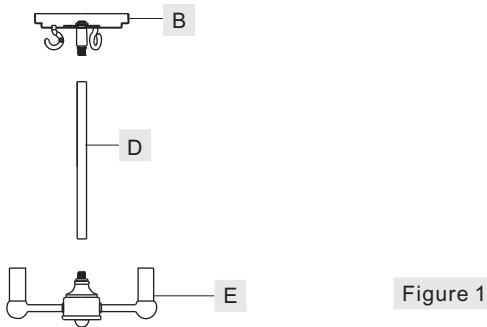
Disconnect fixture from power source before replacing bulbs. Make sure bulbs are given sufficient time to cool before removal.

### **Package Contents**



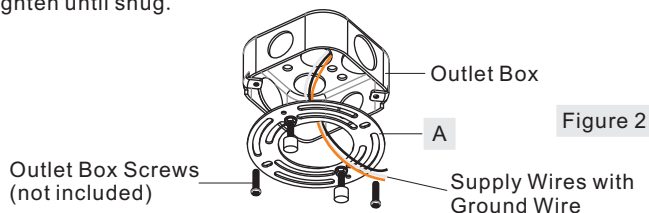
### **STEP 1 - Install the Fixture Loop and the rods**

- Thread the Ceiling Canopy (B), the Rods (D) and the socket assembly (E) together as shown. Hand tighten until snug.



### **STEP 2 - Installing the Crossbar Assembly**

- Pass the supply wires from outlet box through the Crossbar Assembly (A). Attach the Crossbar Assembly (A) to the Outlet Box with the head of the Green Ground Screw facing you. Secure the Crossbar Assembly (A) with Outlet Box Screws (not included). Tighten until snug.



### **STEP 3 - Test Fitting Ceiling Canopy to Crossbar Assembly**

- Remove mounting balls from the Crossbar Assembly (A). Fit the Ceiling Canopy to the Crossbar Assembly (A) and secure with mounting balls. Note: The Ceiling Canopy should be snug against the ceiling and the mounting balls. If not, adjust the length of the nipple on the Crossbar Assembly (A) by unscrewing the preassembled hex nut and lock washer and then screwing the mounting screws in or out of the crossbar until the correct length is achieved. Once the Ceiling Canopy (B) is secure, remove the mounting ball and Ceiling Canopy and proceed to Step 3.

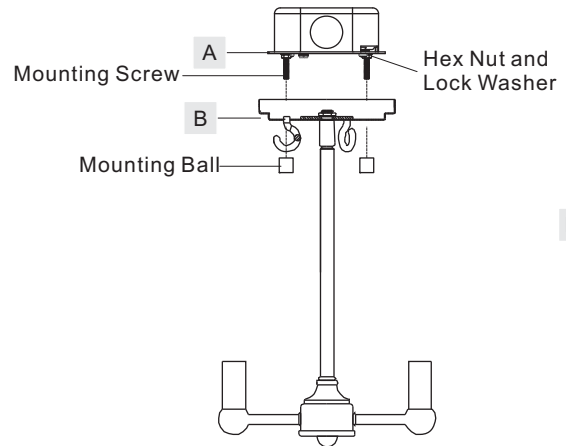


Figure 3

### **STEP 4 - Wire Connections**

- Wrap bare or green ground wire around green ground screw on the crossbar, no less than 2 inches from the end of the wire. Tighten the green ground screw.
- Use standard wire connectors (not included) to make all wire connections. Twist connectors until wires are tightly joined together. Wrap each connection with approved electrical tape and carefully stuff all the connected wires into the Outlet Box.

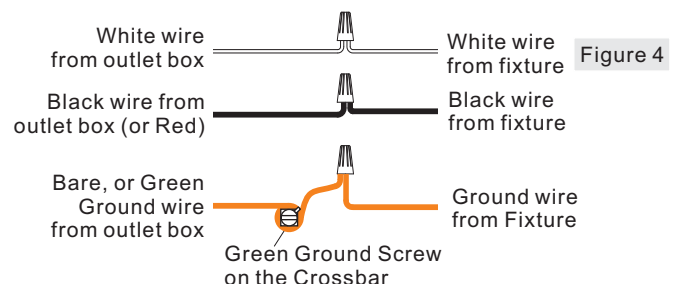


Figure 4

**STEP 5 – Install the Fixture**

A. Carefully tuck all wires into the outlet box and position the Ceiling Canopy over the outlet box. Align the holes in the ceiling canopy with the mounting screws, then attach the Ceiling Canopy using the previously removed mounting balls. Hand tighten until snug.

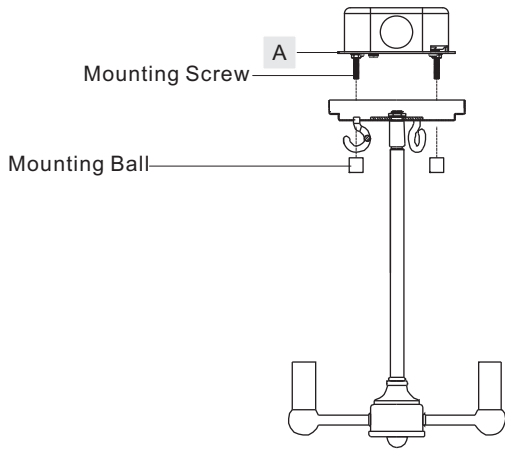
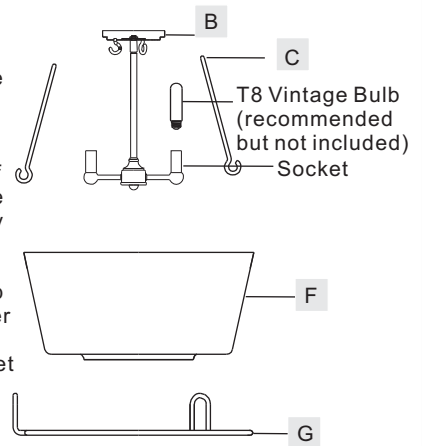


Figure 5

**STEP 6 – Install the Shade Holder, the Shade and the Bulbs**

**WARNING:** Two people are recommended for this.

- Place shade (F) inside shade holder (G). Lift the shade holder (G) with shade (F) upward.
- Attach the loop on one end of the Arm (C) to the hook at the bottom of the Ceiling Canopy (B).
- Attach the hook on the other end of the Arm (C) to the loop at the top of the Shade Holder (G).
- Insert the bulb onto the socket and screw snugly into place.

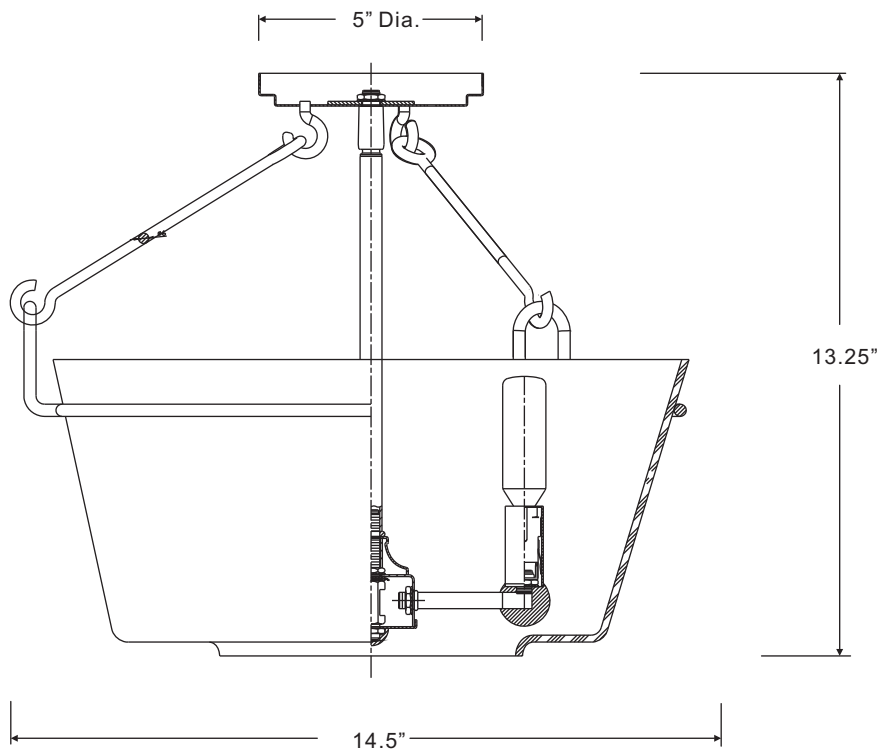
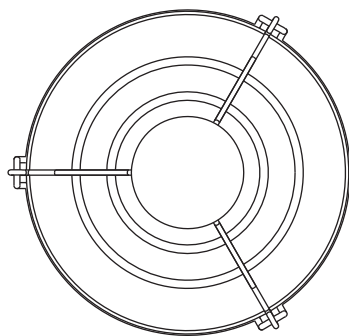
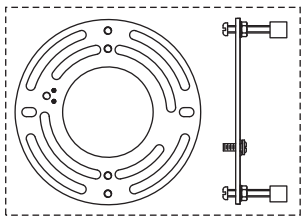


Your fixture is now assembled and ready to use. Enjoy!

Figure 6

WEL1717GK

FINISH: GREY ASH



NOTE: ALL DIMENSIONS ARE ROUNDED UP TO THE NEAREST 1/4"