

Please go to www. quozel. com for product cleaning tips. Go to the **Care + Maintenance** selection.

Tools Required: Flathead screwdriver, Phillips screwdriver, pliers, wire cutters, wire strippers, electrical tape, safety glasses.

Light Source: (3) Medium Base 60W Vintage Bulbs (supplied), 100W Maximum.

Estimated Assembly Time: 30-45 minutes

Preparation: Identify and inspect all parts before beginning installation. Check package content list and diagrams below to be sure all parts are present. If any parts are missing or damaged, do not attempt to assemble, install, or operate the fixture. Contact customer service for replacement parts.

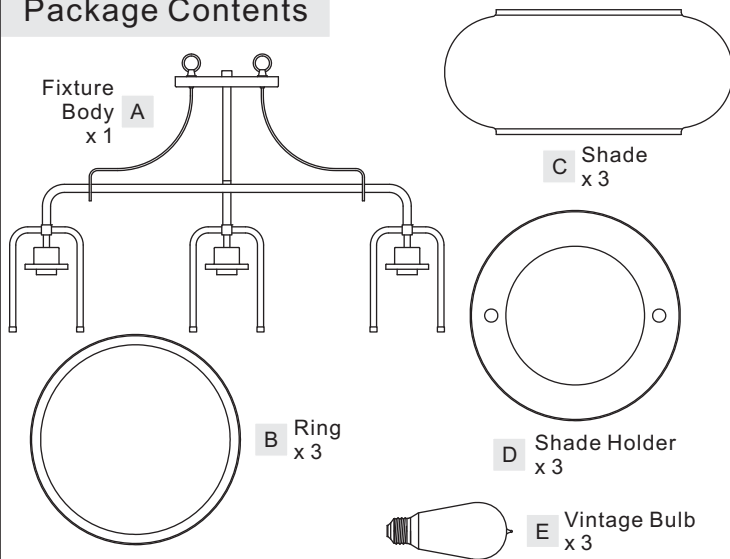
⚠ Warnings and Cautions

Turn off electricity at circuit breaker or main fuse box before installation. Consult a licensed electrician if in doubt.

These instructions are provided for your safety. It is very important you read them completely before installing the fixture. We strongly recommend that a licensed, professional electrician perform the installation.

Disconnect fixture from power source before replacing bulbs. Make sure bulbs are given sufficient time to cool before removal.

Package Contents



(Step 1 Continued)

D. Remove the knob and the Ceiling Canopy (DD). Tighten the lock washer and the hex nut against the crossbar to secure in place.

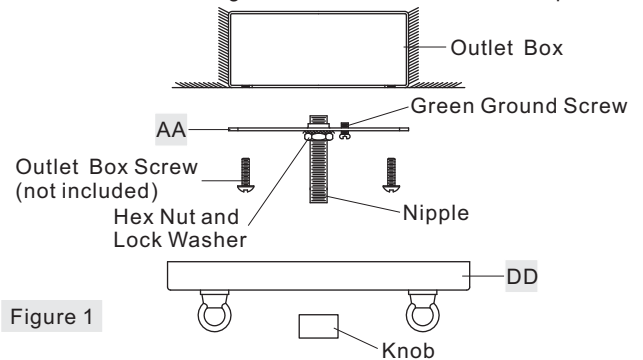


Figure 1

STEP 2 - Install Fixture Chains and Ceiling Canopy

A. Adjust the Fixture Chain (BB) to your desired length by removing the links if needed.

B. With the Fixture Chain (BB) not attached to the fixture loop on the top end of the Fixture Body (A) and the ceiling loop on the Ceiling Canopy (DD), pull the supply wires and ground wire through the Fixture Chain (BB) alternating links. After the wires are through the Fixture Chain (BB), pull the Supply Wires and the Ground Wire through the Ceiling Canopy (DD).

C. Attach one ends of the Fixture Chains (BB) to the fixture loop on top end of the Fixture Body (A) with two Quick Links (CC) as shown. Lift the fixture and Fixture Chains (BB) up and attach the other ends of the Fixture Chains (BB) onto the ceiling loop underside of the Ceiling Canopy (DD) with the rest two Quick Links (CC).

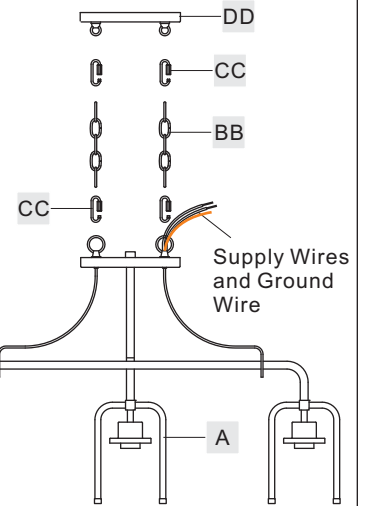
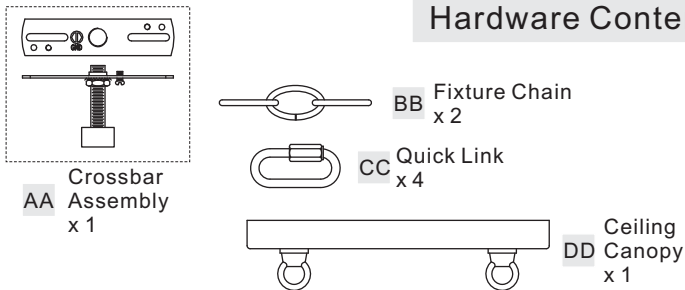


Figure 2

Suggested chain length for Ceiling height :

- 8' ceiling : use 8 links of chains and 4 quick links
- 9' ceiling : use 18 links of chains and 4 quick links
- 10' ceiling : use 28 links of chains and 4 quick links

Hardware Contents



STEP 1 - Install the Crossbar Assembly to Outlet Box and Adjust the length of the Nipple

- A. Attach the Crossbar Assembly (AA) to the Outlet Box with the head of the Green Ground Screw facing you. Secure it with Outlet Box Screws (not included), tighten until snug.
- B. Adjust the hex nut and lock washer underside of the crossbar to the middle of the nipple.
- C. Remove the knob from the Socket Assembly (AA). Place the Ceiling Canopy (DD) over the end of the nipple against the ceiling to determine the correct position of the nipple. Thread the knob onto the nipple. Adjust the nipple to allow the Ceiling Canopy (DD) to rest against the ceiling when held in place by the knob.

Thank you for purchasing a Quoizel product.
Need assistance with parts or assembly? Call Quoizel customer service at 1-800-645-3184
or visit us on-line at www. quozel. com

STEP 3 - Making the Wire Connections

A. Use standard wire connectors (not included) to make all wire connections. Twist connectors until wires are tightly joined together. Wrap each connection with approved electrical tape and carefully stuff all the connected wires into outlet box.

Note: If the electrical wire is going to be cut shorter than provided you will need to identify the "L" line wire and the "N" neutral wire before you cut the excess wire off. One is labeled N and the other labeled L. To do this separate the "L" line wire and the "N" neutral wire as far as you need to. Re-label the wire near where you want to make the cut. Be sure to mark the wire on the side of the fixture and not on the excess wire being cut and removed.

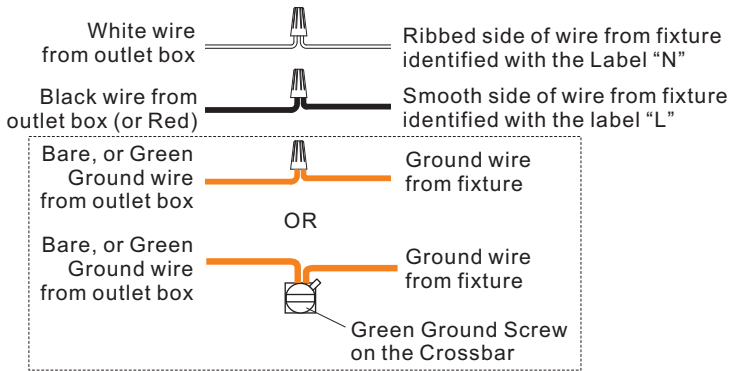


Figure 3

STEP 4 - Install Ceiling Canopy to Crossbar Assembly

A. Attach the Ceiling Canopy (DD) over the end of the nipple and secure with the knob. Hand tighten until snug.

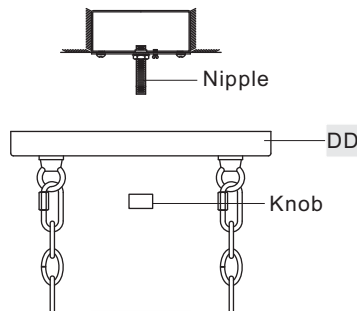


Figure 4

STEP 5 - Install the Shade

Two people are required for this step.

- Remove lock balls from bottom of the Fixture Body (A).
- Place the Ring (B) onto the top edge of the Shade (C). Place bottom edge of the Shade (C) into the Shade Holder (D).
- Lift the shade assembly up and pass the arms of the Fixture Body (A) through the Shade (C). Position the holes on the Shade Holder (D) to the arms on the Fixture Body (A). The second person is to secure the Shade Holder (D) by threading the lock balls onto the ends of the arms of the Fixture Body (A). Hand tighten until snug.

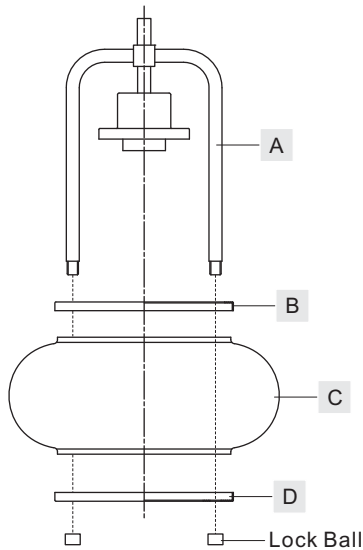


Figure 5

STEP 6 - Install Bulbs

A. Insert bulbs (E) onto sockets and screw snugly into place.

Your fixture is now assembled and ready to use. Enjoy!

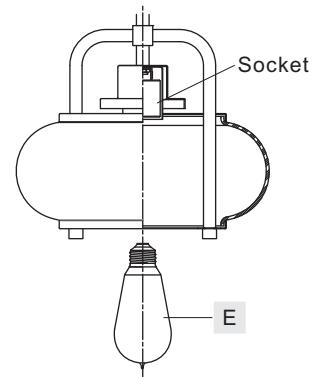
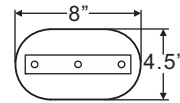
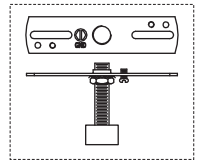


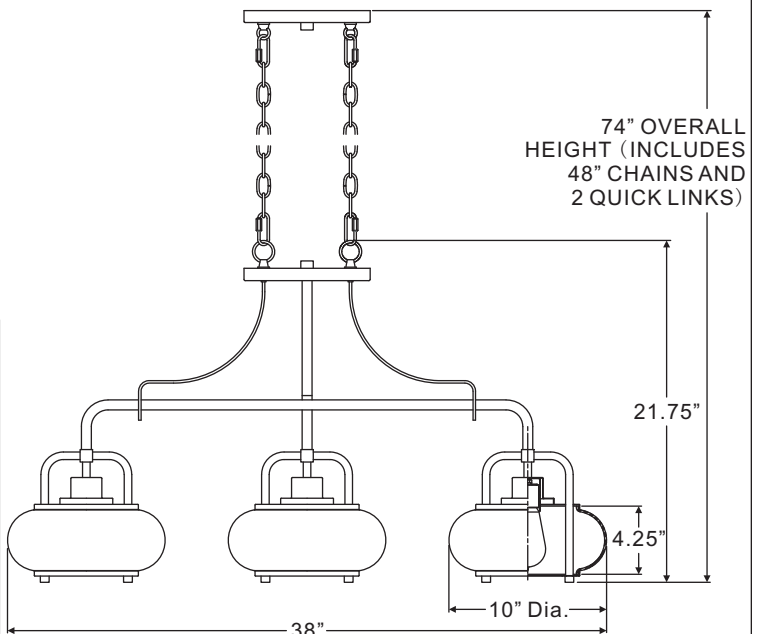
Figure 6

TRG338OZ

FINISH: OLD BRONZE



74" OVERALL HEIGHT (INCLUDES 48" CHAINS AND 2 QUICK LINKS)



NOTE: ALL DIMENSIONS ARE ROUNDED UP TO THE NEAREST 1/4"

Thank you for purchasing a Quoizel product.
Need assistance with parts or assembly? Call Quoizel customer service at 1-800-645-3184
or visit us on-line at www.quoise.com