

Please go to [www.quoizel.com](http://www.quoizel.com) for product cleaning tips. Go to the **Care + Maintenance** selection.

**Tools Required:** Flathead screwdriver, Phillips screwdriver, pliers, wire cutters, wire strippers, electrical tape, safety glasses.

**Light Source:** (2) Medium Base 75W Maximum, Alternate bulb (2) 19W CFL

**Estimated Assembly Time:** 20-30 minutes

**Preparation:** Identify and inspect all parts before beginning installation. Check package content list and diagrams below to be sure all parts are present. If any parts are missing or damaged, do not attempt to assemble, install, or operate the fixture. Contact customer service for replacement parts.

### ⚠ Warnings and Cautions

Turn off electricity at circuit breaker or main fuse box before installation. Consult a licensed electrician if in doubt.

These instructions are provided for your safety. It is very important you read them completely before installing the fixture. We strongly recommend that a licensed, professional electrician perform the installation.

Disconnect fixture from power source before replacing bulbs. Make sure bulbs are given sufficient time to cool before removal. Do not subject glass parts to any shock while in operation or shattering may result.

### ⚠ Care of Tiffany Style Shade

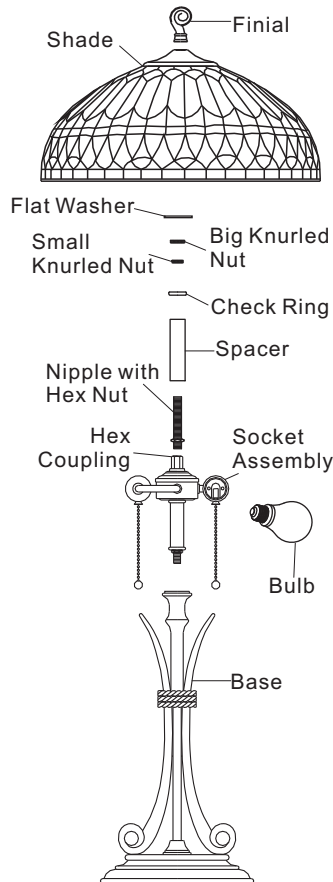
A new tiffany lamp shade has an oil film applied to the shade that protects the tiffany shade from scratches during shipment. If the oil applied is too heavy you can remove the excess oil film with a paper towel. Gently wipe away the excess oil.

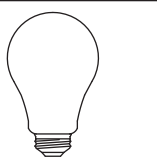
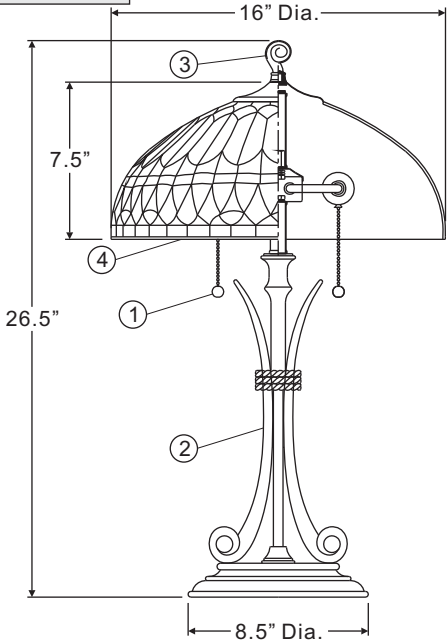
For general cleaning of tiffany shades use a gentle lemon oil-based furniture polish applied to a soft cloth and wipe gently.

If a white powder appears on the soldered joints of the tiffany shade this is a normal oxidation process. Use a small amount of lemon oil or mineral oil applied directly to oxidized areas and the soldered area will return to like new.

- A. Thread Socket Assembly onto Base and hand tighten until snug.
- B. Thread the hex nut end of Nipple with Hex Nut into the hex coupling on the top center of Socket Assembly. Hand tighten until snug.
- C. Place Spacer and Check Ring over the top end of Nipple with Hex Nut. Secure by threading Small Knurled Nut onto the nipple. Hand tighten until snug.
- D. Thread Big Knurled Nut onto the Nipple and adjust it to proper location for rest components. Place Flat Washer and Shade over the top end of the Nipple. Secure by threading the Finial onto the Nipple. Hand tighten until snug.
- F. This fixture uses standard bulb with medium base . Maximum 75 watts. Insert bulb and screw snugly into place.

Your fixture is now assembled and ready to use. Enjoy!



TF6660BB																					
FINISH: BRUSHED BULLION																					
 <p>(2) 75W Medium Base Bulbs (Not Supplied)</p>		 <p>NOTE: ALL DIMENSIONS ARE ROUNDED UP TO THE NEAREST 1/4"</p>																			
		<table border="1"> <thead> <tr> <th>NO.</th> <th>PART NUMBER</th> <th>REPLACEMENT PART DESCRIPTION</th> <th>QTY.</th> </tr> </thead> <tbody> <tr> <td>1</td> <td>M860BLA</td> <td>BALL 5/8" DIA BRUSHED BULLION</td> <td>2</td> </tr> <tr> <td>2</td> <td>16660BBT</td> <td>BASE BRUSHED BULLION TABLE LAMP</td> <td>1</td> </tr> <tr> <td>3</td> <td>C965FIR</td> <td>FINIAL ARCHITECTURAL BRONZE</td> <td>1</td> </tr> <tr> <td>4</td> <td>G6894SH</td> <td>SHADE TIFFANY 7.5"H X 16"D</td> <td>1</td> </tr> </tbody> </table>	NO.	PART NUMBER	REPLACEMENT PART DESCRIPTION	QTY.	1	M860BLA	BALL 5/8" DIA BRUSHED BULLION	2	2	16660BBT	BASE BRUSHED BULLION TABLE LAMP	1	3	C965FIR	FINIAL ARCHITECTURAL BRONZE	1	4	G6894SH	SHADE TIFFANY 7.5"H X 16"D
NO.	PART NUMBER	REPLACEMENT PART DESCRIPTION	QTY.																		
1	M860BLA	BALL 5/8" DIA BRUSHED BULLION	2																		
2	16660BBT	BASE BRUSHED BULLION TABLE LAMP	1																		
3	C965FIR	FINIAL ARCHITECTURAL BRONZE	1																		
4	G6894SH	SHADE TIFFANY 7.5"H X 16"D	1																		

**Thank you for purchasing a Quoizel product.**  
Need assistance with parts or assembly? Call Quoizel customer service at 1-800-645-3184  
or visit us on-line at [www.quoizel.com](http://www.quoizel.com)