

Please go to www. quoizel. com for product cleaning tips. Go to the **Care + Maintenance** selection.

Tools Required: Flathead screwdriver, Phillips screwdriver, pliers, wire cutters, wire strippers, electrical tape, safety glasses.

Light Source: (4)A19 Medium Base 100W Maximum, Alternate bulb (4)23W CFL

Estimated Assembly Time: 30-45 minutes

Preparation: Identify and inspect all parts before beginning installation. Check package content list and diagrams below to be sure all parts are present. If any parts are missing or damaged, do not attempt to assemble, install, or operate the fixture. Contact customer service for replacement parts.

⚠ Warnings and Cautions

Turn off electricity at circuit breaker or main fuse box before installation. Consult a licensed electrician if in doubt.

These instructions are provided for your safety. It is very important you read them completely before installing the fixture. We strongly recommend that a licensed, professional electrician perform the installation.

Disconnect fixture from power source before replacing bulbs. Make sure bulbs are given sufficient time to cool before removal. Do not subject glass parts to any shock while in operation or shattering may result.

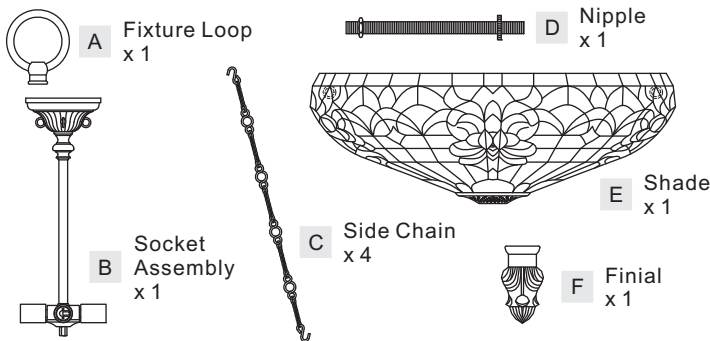
⚠ Care of Tiffany Style Shade

A new tiffany lamp shade has an oil film applied to the shade that protects the tiffany shade from scratches during shipment. If the oil applied is too heavy you can remove the excess oil film with a paper towel. Gently wipe away the excess oil.

For general cleaning of tiffany shades use a gentle lemon oil-based furniture polish applied to a soft cloth and wipe gently.

If a white powder appears on the soldered joints of the tiffany shade this is a normal oxidation process. Use a small amount of lemon oil or mineral oil applied directly to oxidized areas and the soldered area will return to like new.

Package Contents



Green Ground Screw facing you. Secure it with Outlet Box Screws (not included). Tighten until snug.

STEP 2 - Install Canopy Chain Loop and Nipple

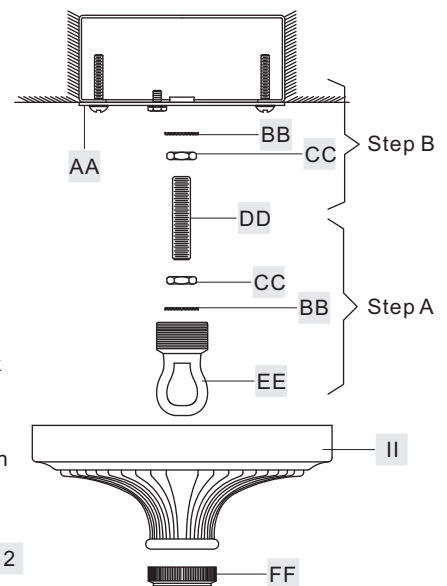
* Pliers is required for this step.

A. Thread one Hex Nut (CC) to one end of the Nipple (DD) until it is at least 0.25" from the end. Pass one Lock Washer (BB) over the end of the Nipple (DD) and thread the Canopy Chain Loop (EE) onto the Nipple (DD). By using pliers, thread the Hex Nut (CC) against the Canopy Chain Loop (EE) and hand tighten until snug.

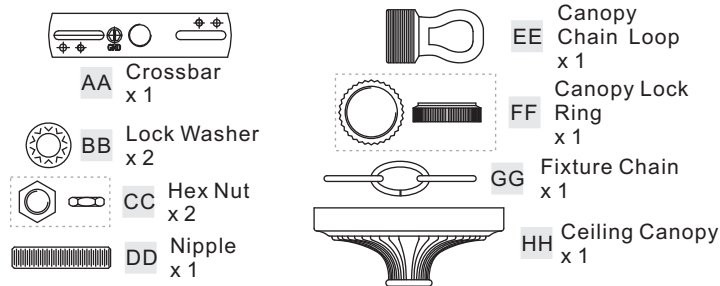
B. Thread another Hex Nut (CC) to the middle of the Nipple (DD). Place another Lock Washer (BB) over the Nipple (DD) and then thread the Nipple (DD) into the Crossbar (AA) until the Nipple (DD) is about 0.375" above the Crossbar (AA).

C. Remove the Canopy Lock Ring (FF) from the Canopy Chain Loop (EE). Place the Ceiling Canopy (II) over the Canopy Chain Loop (EE) against the ceiling to determine the correct position of the Nipple (DD). Thread the Canopy Lock Ring onto the Canopy Chain Loop (EE). Adjust the Nipple (DD) to allow the Ceiling Canopy (II) to rest against the ceiling when held in place by the Canopy Lock Ring (FF).

D. Remove the Canopy Lock Ring (FF) and the Ceiling Canopy (II). Tighten the Hex Nut (CC) against the Crossbar (AA) to secure in place.

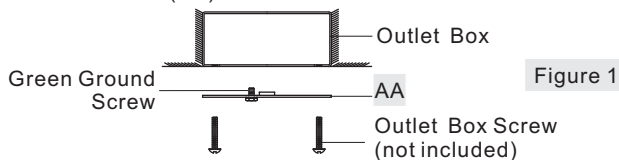


Hardware Contents



STEP 1 - Install Crossbar

A. Attach the Crossbar (AA) to the Outlet Box with the head of the

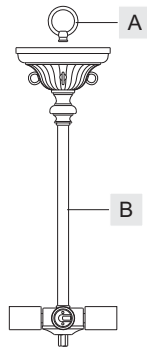


Thank you for purchasing a Quoizel product.
Need assistance with parts or assembly? Call Quoizel customer service at 1-631-273-2700
or visit us on-line at www. quoizel. com

STEP 3 - Install Fixture Loop

A. Thread Fixture Loop (A) onto top end of the Socket Assembly (B). Hand tighten until snug.

Figure 3



underside of the socket cluster. By using pliers, thread the Hex Nut against the hex coupling and tighten until snug.

B. Quoizel recommends (2) people for this step. Pass the Shade (E) over the end of the Nipple (D). With one person hold the Shade (D). Another person attach one ends of Side Chains (C) to Loops at the side of the Socket Assembly (B). Attach another ends of Side Chains (C) to Loops in the side of the Shade (E).

C. Adjust the knurled nut on the ends of the Nipple (D) against the Shade (E) until it flushes to the Shade (E). Thread the Finial (F) to the end of the Nipple (D) to secure the Shade (E). Hand tighten until snug.

D. This fixture uses standard bulb with standard screw base. Maximum 100 watts. Insert bulb and screw snugly into place.

Your fixture is now assembled and ready to use. Enjoy!

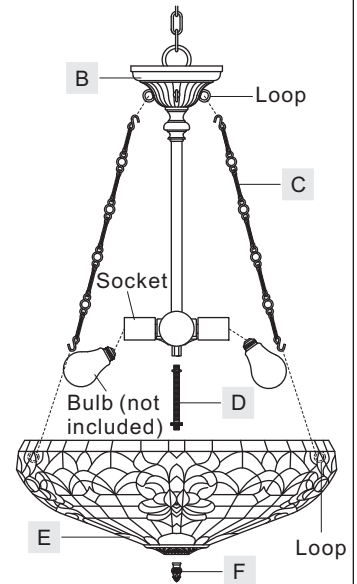


Figure 6

STEP 4 - Install Fixture Chain and Ceiling Canopy

A. Adjust the Fixture Chain (GG) to your desired length by removing the links if needed.
* Pliers is required for this step.

B. With the Fixture Chain (GG) not attached to the Fixture Loop (A) and the Canopy Chain Loop (EE), pull the supply wires through the Fixture Chain (GG) alternating links. After the wires are through the Fixture Chain (GG), pull the Supply Wires and the Ground Wire through the Canopy Lock Ring (FF) and the Ceiling Canopy (HH) in order.

C. Attach one end of the Fixture Chain (GG) to the Fixture Loop (A). Lift the fixture and Fixture Chain (GG) up and attach the other end of the Fixture Chain (GG) onto the Canopy Chain Loop (EE). The fixture will now hang safely. Close the chain loop at the Ceiling Canopy Loop (EE).

D. Feed the Supply Wires and Ground Wire through the Canopy Chain Loop (EE) and Nipple (DD) into the Outlet Box. Cut the wires leaving approximately 8" of wire extending from the Outlet Box.

E. Refer to Step 5 for wire connections.

F. Raise the Ceiling Canopy (HH) and Canopy Lock Ring (FF) up the Fixture Chain (GG) and over the Canopy Chain Loop (EE). Tighten the Canopy Lock Ring (FF) onto the Canopy Chain Loop (EE) until tight.

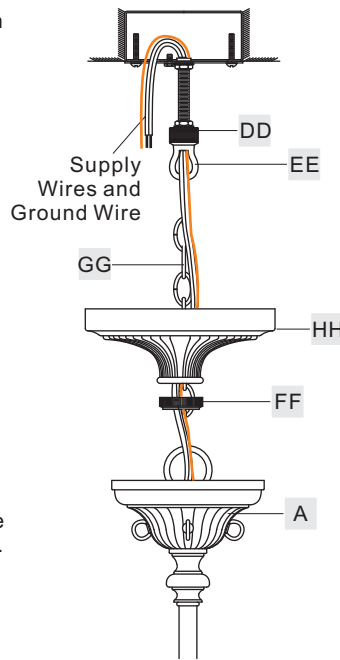


Figure 4

Suggested chain length for Ceiling height :

8' ceiling : use 6 links of chain
9' ceiling : use 16 links of chain
10' ceiling : use 26 links of chain

STEP 5 - Wire Connections

A. Use standard wire connectors (not included) to make all wire connections. (Connectors are not included with fixture.) Twist connectors until wires are tightly joined together. Wrap each connection with approved electrical tape and carefully stuff all the connected wires into the Outlet Box.

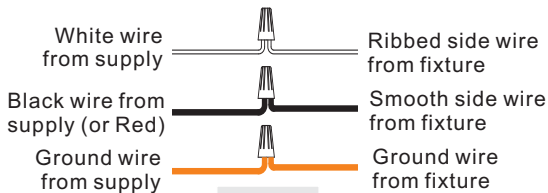
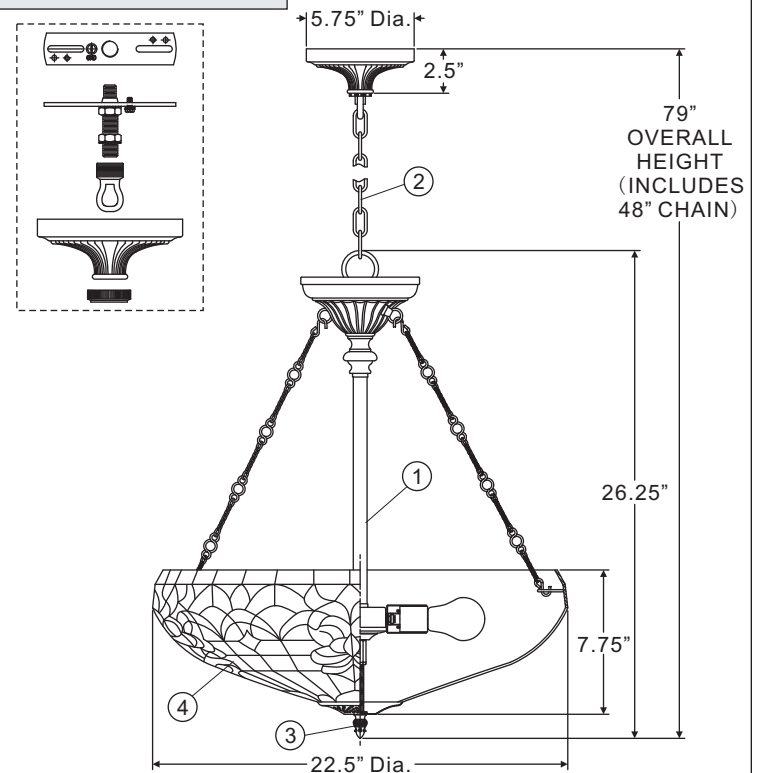


Figure 5

STEP 6 - Install Shade, Side Chains and Bulbs

A. Thread the Hex Nut end of the Nipple (D) into the hex coupling

TF1781VB
FINISH: VINTAGE BRONZE



NOTE: ALL DIMENSIONS ARE ROUNDED UP TO THE NEAREST 1/4"

NO.	PART NUMBER	REPLACEMENT PART	REQ.
1	11781VBT	BASE	1
2	M052CHVB	CHAIN	1
3	C714FIR	FINIAL	1
4	G6002SH	SHADE	1

(4) 100W Medium Base Bulbs (Not Supplied)

Thank you for purchasing a Quoizel product.
Need assistance with parts or assembly? Call Quoizel customer service at 1-631-273-2700 or visit us on-line at www.quoizel.com