

SAFETY INFORMATION

Please read and understand this entire manual before attempting to assemble, install or operate the product.

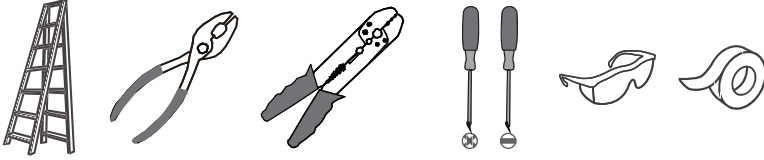
WARNING

- RISK OF ELECTRIC SHOCK - Before beginning installation, turn off electricity at the circuit breaker box or the main fuse box.

CAUTION

- For your safety, read instructions completely before beginning installation.
- If in doubt about electrical installation, consult a licensed electrician.

TOOLS REQUIRED



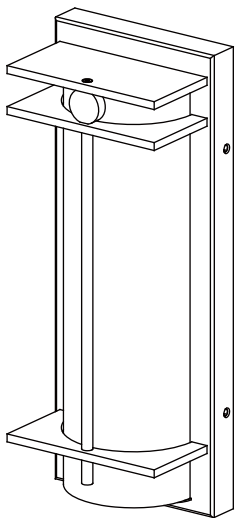
Ratings	120Vac, 60Hz	
	Model No.	Wattage
	SYN8406EK	17W
	SYN8406TT	17W

CARE AND MAINTENANCE

- Wipe clean using soft, dry cloth or static duster. Always avoid using harsh chemicals and abrasives to clean fixture as they may damage the finish.

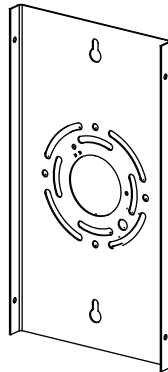
If you need further assistance call Quozel Customer Care at 1-800-645-3184 (9:00am – 5:00pm EST), or visit us on-line at www.quezel.com.

PACKAGE CONTENTS



A Fixture Body
x 1

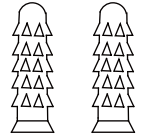
MOUNTING HARDWARE



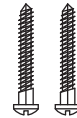
AA Inner Backplate
x 1



BB Mounting Screw
x 4



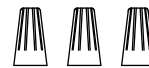
CC Wall Anchor
x 2



DD Screw
x 2



EE Flat Washer
x 2

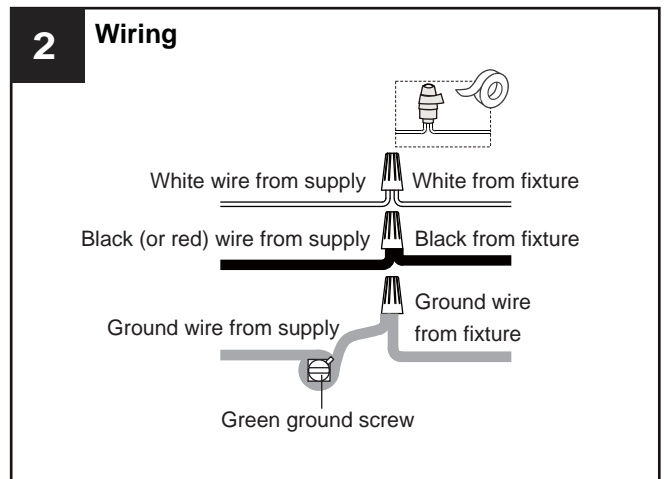
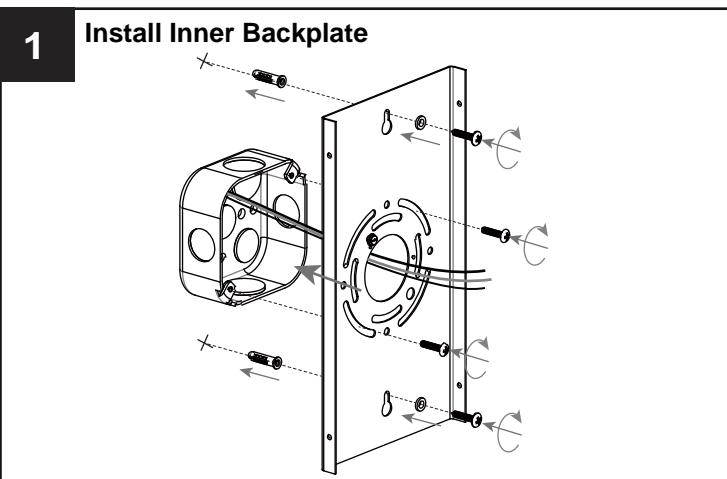


FF Wire Connector
x 3



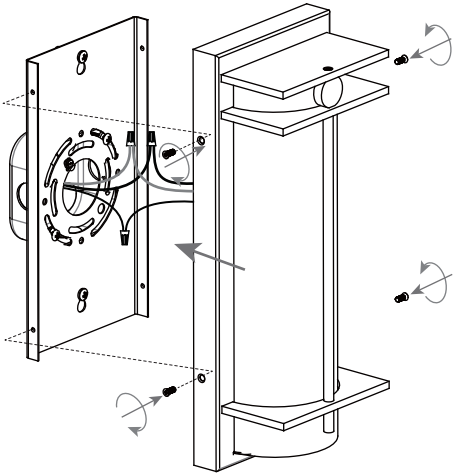
GG Outlet Box Screw
x 2

INSTALLATION



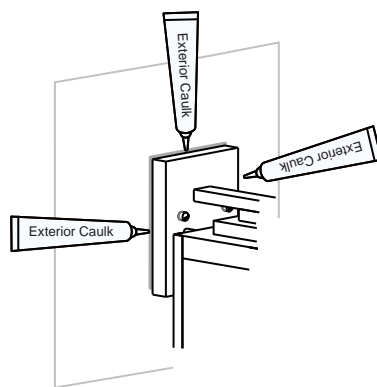
INSTALLATION

3 Install Fixture Body

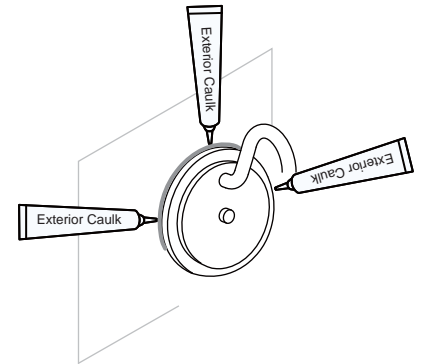


4 Apply Caulking (Backplate shape is varies depends on items purchased)

***Note: Do NOT caulk the bottom of the backplate to allow moisture to escape.**



Rectangle/Square Backplate

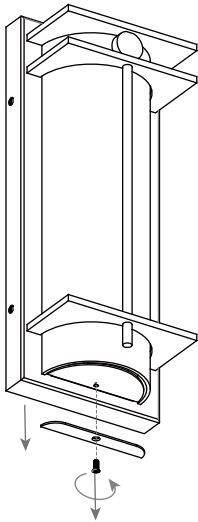


Round Backplate

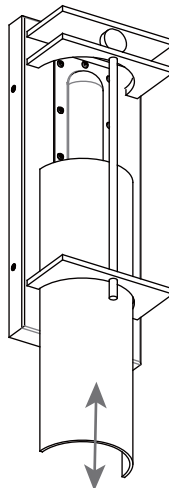
Your installation is now complete! Restore electricity and save this sheet for future reference.

HOW TO REPLACE GLASS

1 Remove Glass Holder



2 Replace Glass



3 Reinstall Glass Holder

