

SAFETY INFORMATION

Please read and understand this entire manual before attempting to assemble, install or operate the product.

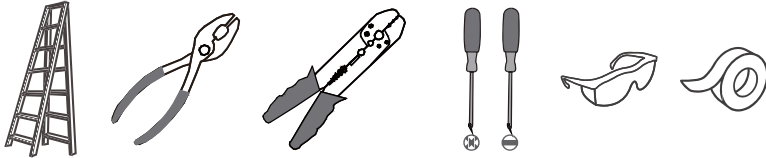
WARNING

- RISK OF ELECTRIC SHOCK - Before beginning installation, turn off electricity at the circuit breaker box or the main fuse box.

CAUTION

- For your safety, read instructions completely before beginning installation.
- If in doubt about electrical installation, consult a licensed electrician.

TOOLS REQUIRED



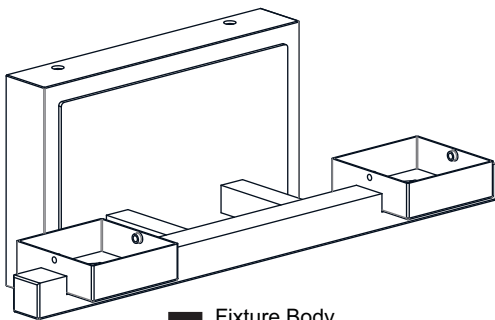
Ratings	120Vac, 60Hz	
	Model No.	Wattage
	PCZOL8612C	13W

CARE AND MAINTENANCE

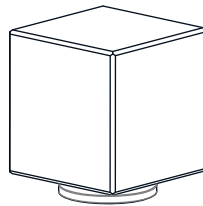
- Wipe clean using soft, dry cloth or static duster. Always avoid using harsh chemicals and abrasives to clean fixture as they may damage the finish.

If you need further assistance call Quozel Customer Care at 1-800-645-3184 (9:00am - 5:00pm EST), or visit us on-line at www.quezel.com.

PACKAGE CONTENTS

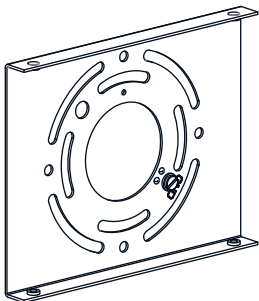


A Fixture Body
x 1



B Glass
x 2

MOUNTING HARDWARE



AA Inner Backplate
x 1



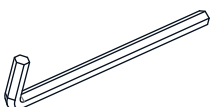
BB Mounting Screw
x 4



CC Wire Connector
x 3



DD Outlet Box Screw
x 2



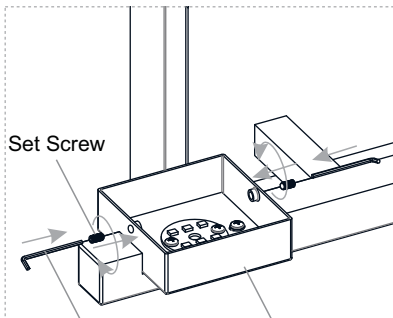
EE Allen Wrench
x 1



FF Set Screw
(2Pcs Replacements included)
x 6

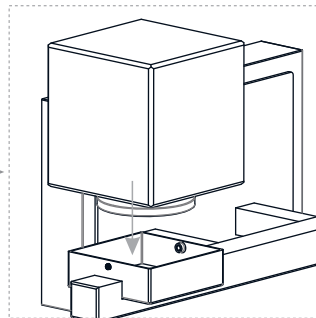
INSTALLATION

1 Install Glass

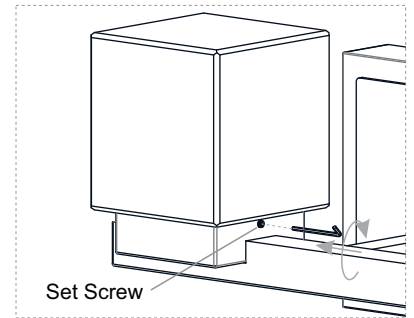


Allen Wrench Bobèche

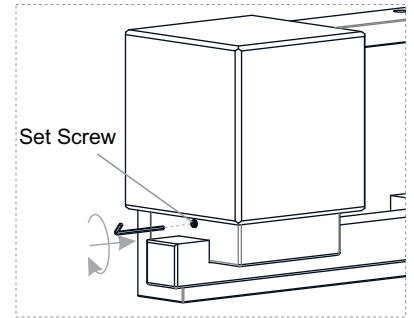
By using Allen wrench, screw the set screw in the stretching hole on the bobèche and make sure the set screw does not extend beyond the stretching hole.



Install Glass



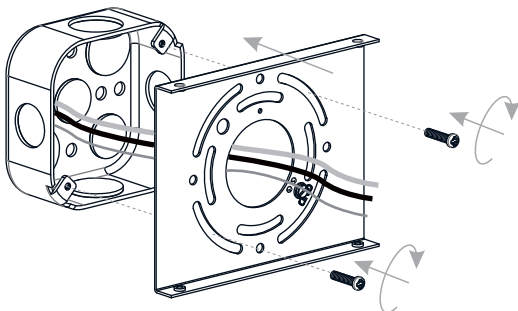
Set Screw



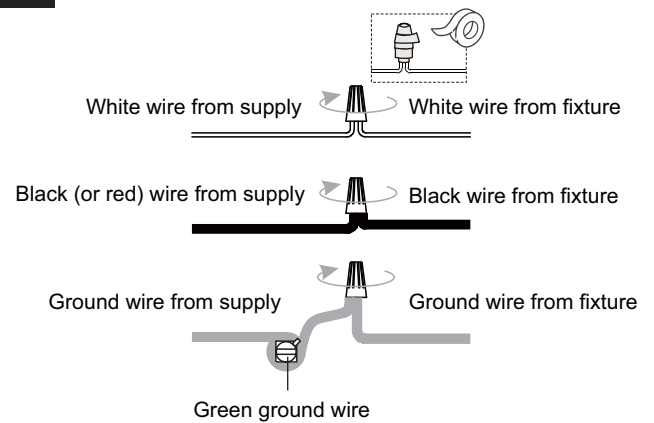
Set Screw

By using Allen wrench, screw the set screw on both sides in to secure the glass tightly.

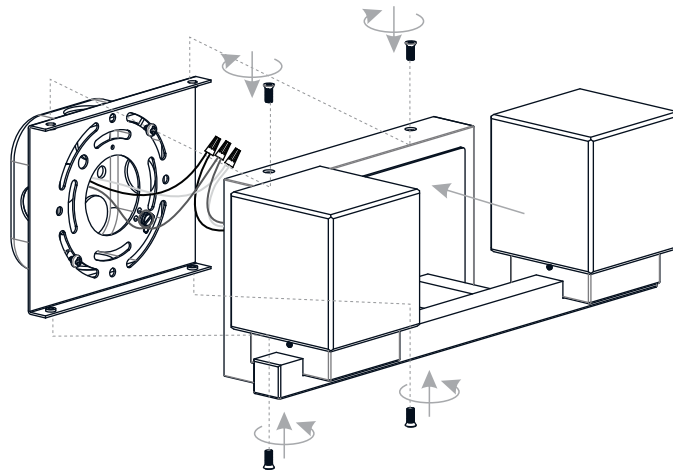
2 Install Inner Backplate



3 Wiring



4 Install Fixture Body



Your installation is now complete! Restore electricity and save this sheet for future reference.