

Please go to [www. quoizel. com](http://www. quoizel. com) for product cleaning tips. Go to the **Care + Maintenance** selection.

**Tools Required:** Flathead screwdriver, Phillips screwdriver, pliers, wire cutters, wire strippers, electrical tape, safety glasses.

**Light Source:** LED 24W

**Estimated Assembly Time:** 20-30 minutes

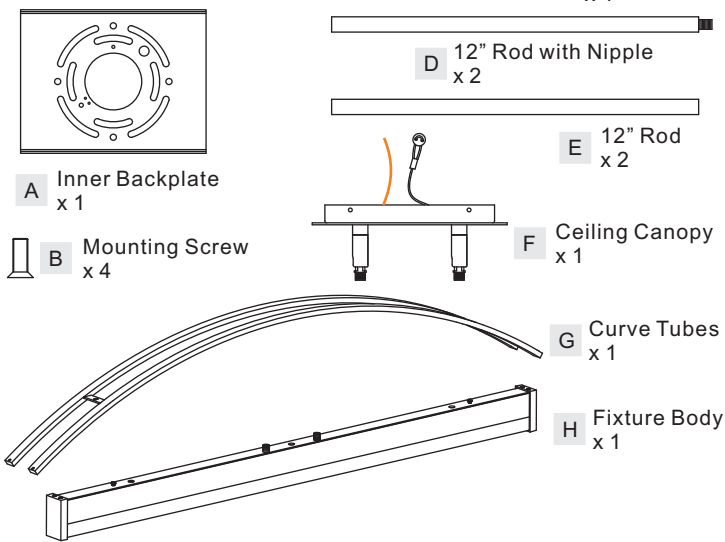
**Preparation:** Identify and inspect all parts before beginning installation. Check package content list and diagrams below to be sure all parts are present. If any parts are missing or damaged, do not attempt to assemble, install, or operate the fixture. Contact customer service for replacement parts.

### **⚠ Warnings and Cautions**

Turn off electricity at circuit breaker or main fuse box before installation. Consult a licensed electrician if in doubt.

These instructions are provided for your safety. It is very important you read them completely before installing the fixture. We strongly recommend that a licensed, professional electrician perform the installation.

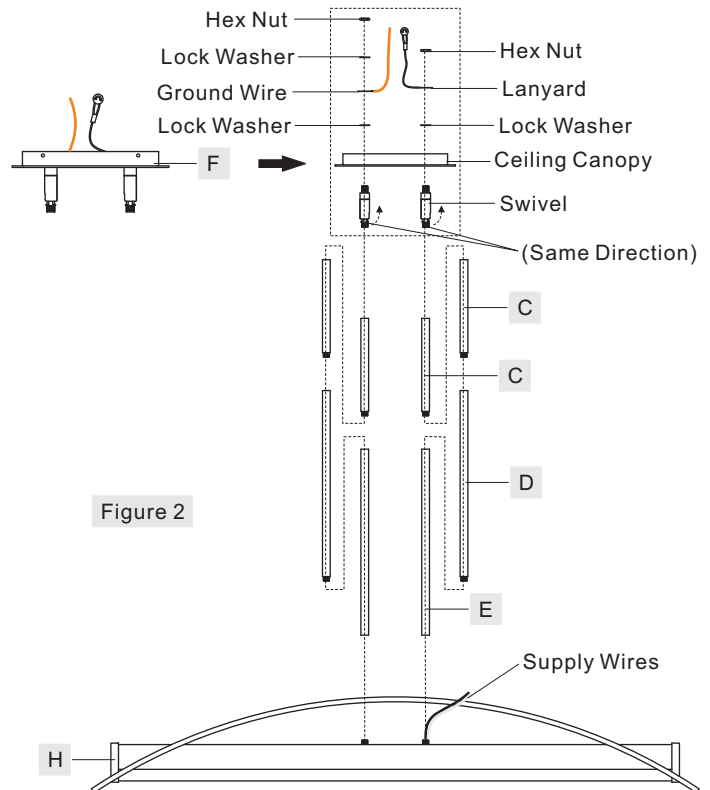
### Package Contents



### STEP 2 - Install Ceiling Canopy, Rods and Fixture Body together

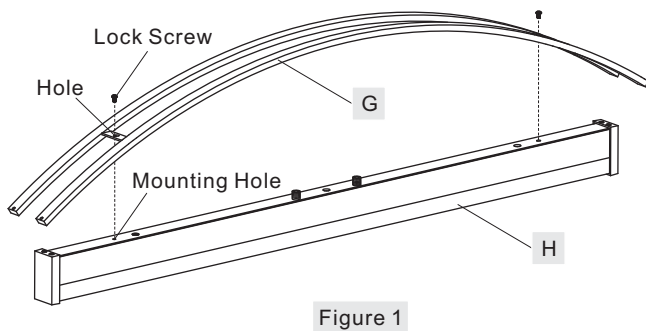
- Determine the Rods (C/D/E) to be assembled to the Fixture Body (H) according to your hanging height.
- Pass the supply wires through the chosen rods (C/D/E). Thread the Fixture Body (H) and the chosen Rods (C/D/E) together. Hand tighten until snug.
- Remove swivels from the bottom of the Ceiling Canopy (F) by unlocking hex nuts inside of the Ceiling Canopy (F).
- Pass supply wires through one swivel, the Ceiling Canopy (F), one lock washer, the lanyard and one hex nut in turn.
- Thread swivels onto the upper rods. Make sure swivels are in the same direction before hand tighten them until snug.
- Place the Ceiling Canopy (F), lock washers, lanyard and ground wire back onto swivels as shown. Secure them together with hex nuts. Tight gently until snug.

Suggested rods for Ceiling height :  
 8' ceiling : use (1) 6" rod and (2) 12" rods  
 9' ceiling : use (2) 6" rods and (2) 12" rods



### STEP 1 - Install Curve Tubes to Fixture Body

- Remove lock screws from the top of the Fixture Body (H). Attach the Curve Tubes (G) onto the top of the Fixture Body (H) and align the holes on the tabs of the Curve Tubes (G) to mounting holes on the Fixture Body (H). Secure them together with lock screws previously removed. Hand tighten until snug with screwdrivers.



**Thank you for purchasing a Quoizel product.**  
**Need assistance with parts or assembly? Call Quoizel customer service at 1-800-645-3184**  
**or visit us on-line at [www. quoizel. com](http://www. quoizel. com)**

### STEP 3 – Install Inner Backplate and Fixture Body

A. Pass the supply wires and ground wire through the Inner Backplate (A). Attach the Inner Backplate (A) to Outlet Box with the head of Green Ground Screw facing you. Secure it with Outlet Box Screws (not included). Tighten until snug.

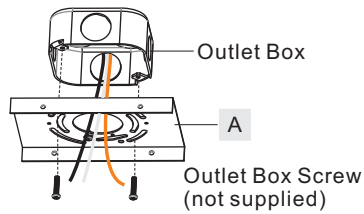


Figure 3

### STEP 4 - Attach Lanyard

A. The purpose of the lanyard is to provide the installer a means to support the fixture from the junction box while connecting the electrical wires. This enables the fixture to hang from the junction box and your hands are free to make the wire connections.  
 B. Turn the Button Stop so it may be inserted into the Inner Backplate slot. Make sure the Button Stop is completely inside the Inner Backplate (A). Slowly release the fixture to make sure it is supported by the Button Stop. Proceed to the wiring steps in the next step. Once you are complete with the wiring there is nothing to do with Lanyard. The Lanyard will push into the junction box when the fixture is placed for final mounting.

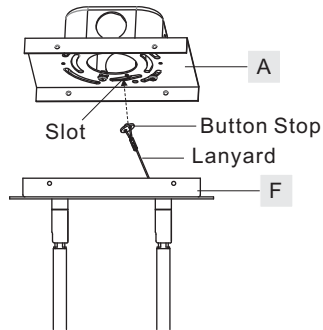


Figure 4

### STEP 5 – Make Wire Connections

A. Wrap bare or green ground wire around green ground screw on the inner backplate, no less than 2 inches from the end of the wire. Tighten the green ground screw.  
 B. Use standard wire connectors (not included) to make all wire connections. Twist connectors until wires are tightly joined together. Wrap each connection with approved electrical tape and carefully stuff all the connected wires into the Outlet Box.

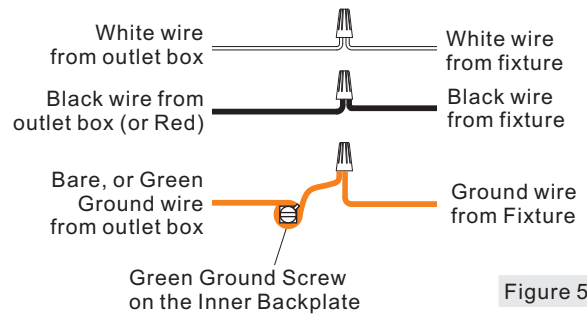


Figure 5

### STEP 6 – Install Fixture Body

A. Attach the Ceiling Canopy (F) and the Fixture Body (H) over the Inner Backplate (A) and secure with Mounting Screws (B). Tighten until snug with screwdrivers.

Your fixture is now assembled and ready to use. Enjoy!

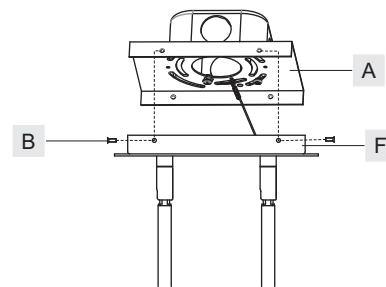
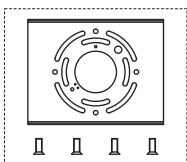


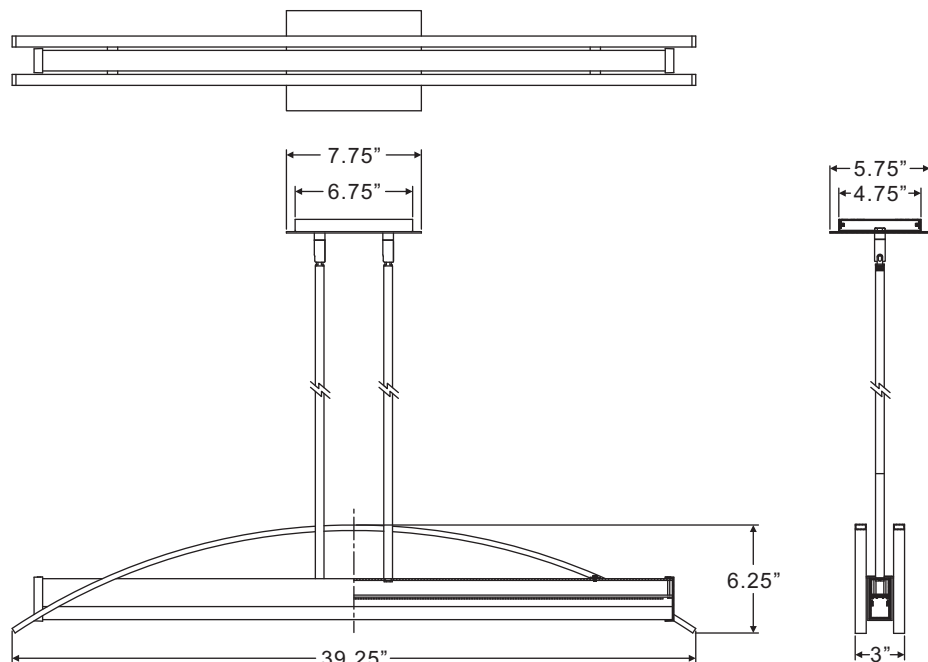
Figure 6

PCSE138BN

FINISH: BRUSHED NICKEL



NOTE: ALL DIMENSIONS ARE ROUNDED UP TO THE NEAREST 1/4"



Thank you for purchasing a Quoizel product.  
 Need assistance with parts or assembly? Call Quoizel customer service at 1-800-645-3184  
 or visit us on-line at [www.quoise.com](http://www.quoise.com)