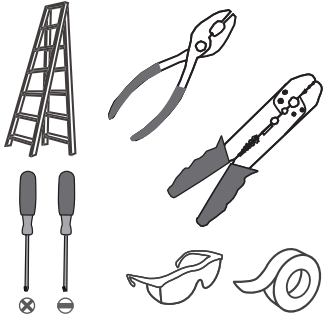
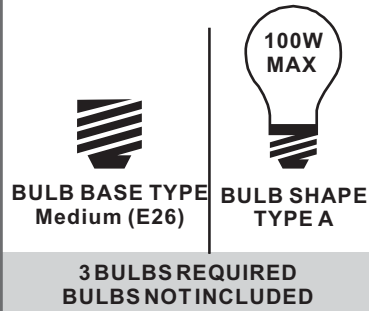


Tools Required



Light Source



Warnings and Cautions

Turn off the electricity at the circuit breaker before installation. Consult a licensed electrician if in doubt about installation.

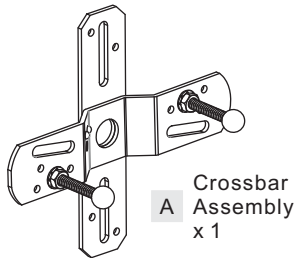
Turn off power to the fixture and allow the bulbs to cool before replacing.

Package Contents

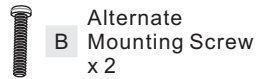
Preparation: Identify and inspect all parts before beginning the installation.

Missing or damaged parts? Contact your original place of purchase.

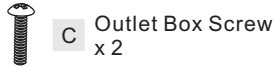
PARTS BAG



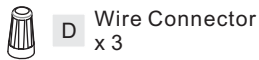
A Crossbar Assembly x 1



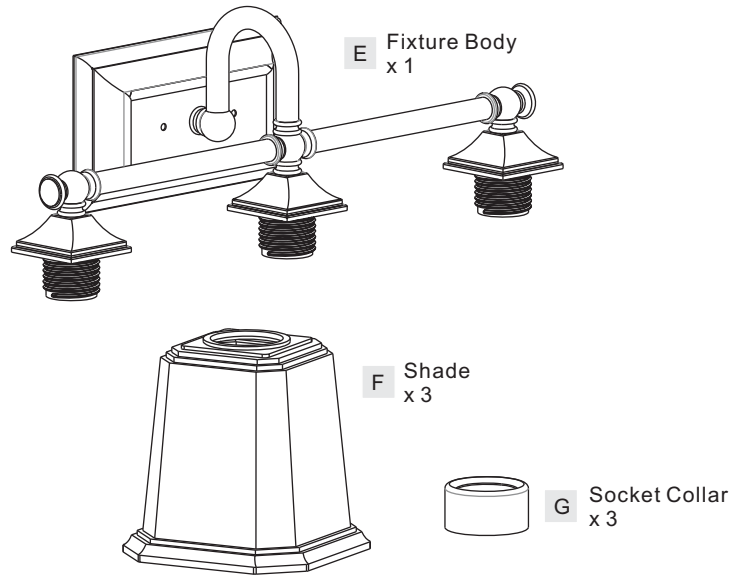
B Alternate Mounting Screw x 2



C Outlet Box Screw x 2



D Wire Connector x 3


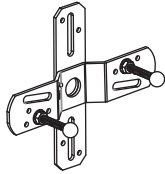
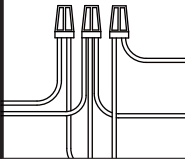
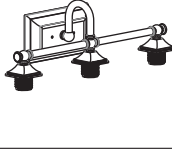



E Fixture Body x 1

F Shade x 3

G Socket Collar x 3

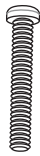
Table of Contents

| Alternate Mounting Screw | Crossbar Assembly | Wiring | Fixture Body | Shade & Bulb |
|-------------------------------------------------------------------------------------|-------------------------------------------------------------------------------------|--------------------------------------------------------------------------------------|---------------------------------------------------------------------------------------|---------------------------------------------------------------------------------------|
|  |  |  |  |  |
| STEP 1 | STEP 2 | STEP 3 | STEP 4 | STEP 5 |

STEP 1

OPTION 1

Standard Mounting Screw



Included (Pre-assembled)

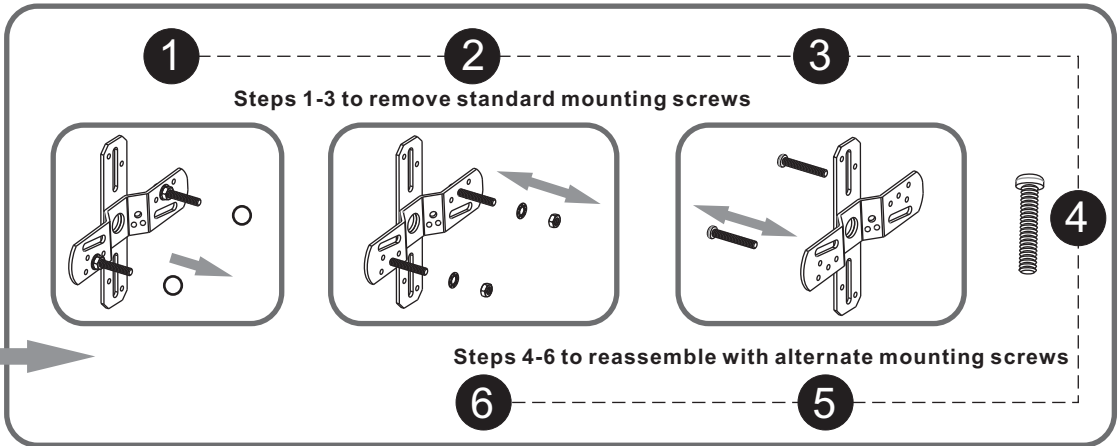
OPTION 2

Alternate Mounting Screw



Included

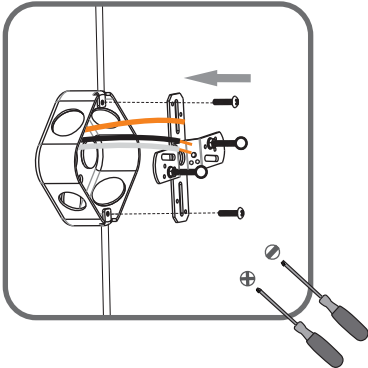
skip to next page



STEP 2

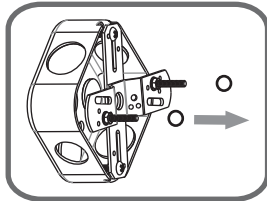
1

Step 1
Install crossbar assembly

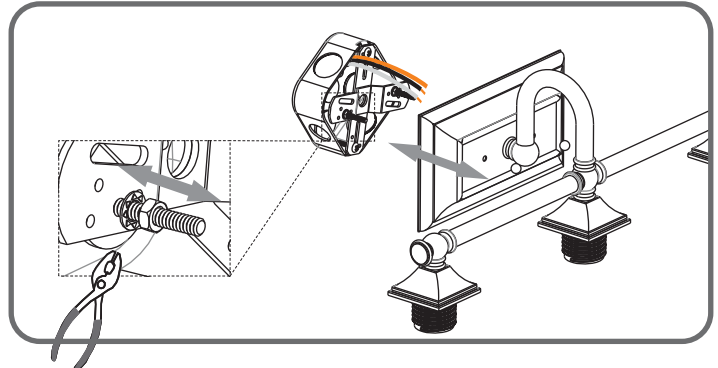


2

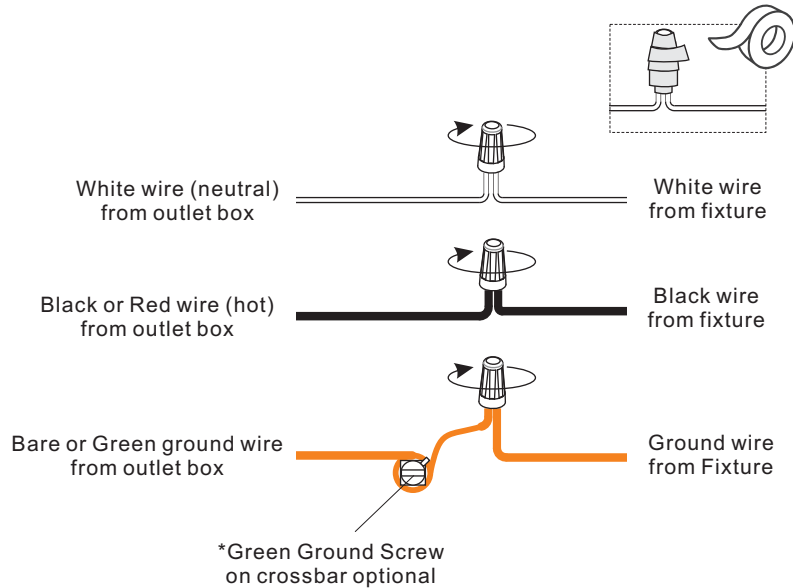
Step 2 - 3
Test fitting backplate to mounting screws



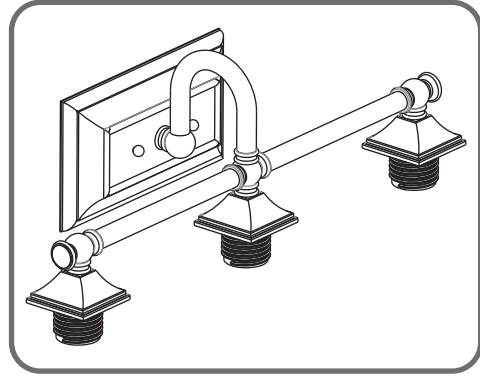
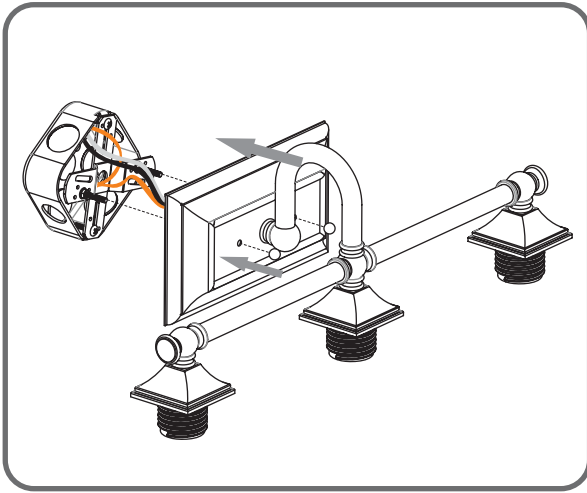
3



STEP 3



STEP 4



STEP 5

