

Please go to [www.quozel.com](http://www.quozel.com) for product cleaning tips. Go to the **Care + Maintenance** selection.

**Tools Required:** Flathead screwdriver, Phillips screwdriver, pliers, wire cutters, wire strippers, electrical tape, safety glasses.

**Light Source:** (3) A19 Medium Base Bulbs 100W Maximum

**Estimated Assembly Time:** 15-20 minutes

**Preparation:** Identify and inspect all parts before beginning installation. Check package content list and diagrams below to be sure all parts are present. If any parts are missing or damaged, do not attempt to assemble, install, or operate the fixture. Contact customer service for replacement parts.

## Warnings and Cautions

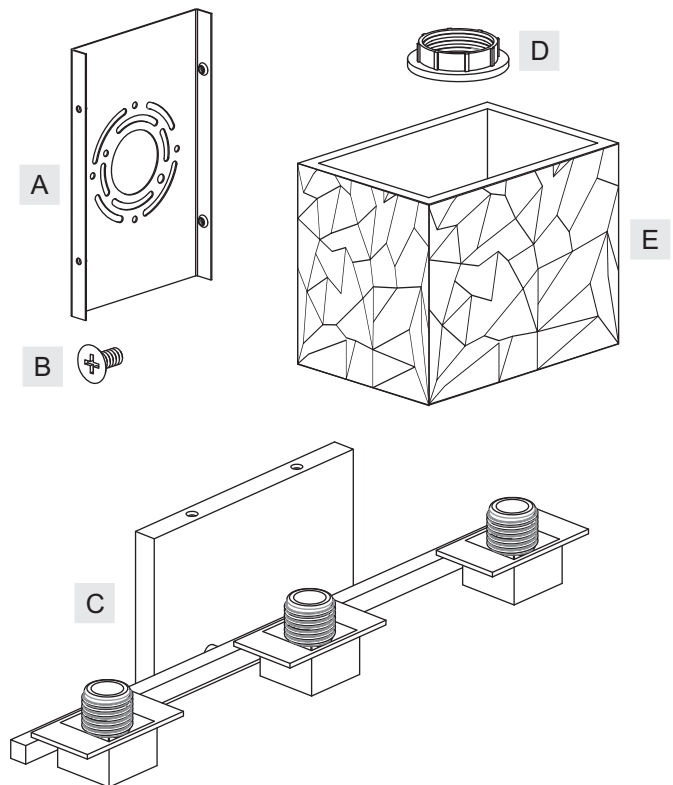
Turn off electricity at circuit breaker or main fuse box before installation. Consult a licensed electrician if in doubt.

These instructions are provided for your safety. It is very important you read them completely before installing the fixture. We strongly recommend that a licensed, professional electrician perform the installation.

Disconnect fixture from power source before replacing bulbs. Make sure bulbs are given sufficient time to cool before removal.

## Package Contents

Part	Description	Quantity
A	Inner Backplate	1 pc.
B	Lock Screw	4 pcs.
C	Fixture Body	1 pc.
D	Socket Collar	3 pcs.
E	Shade	3 pcs.

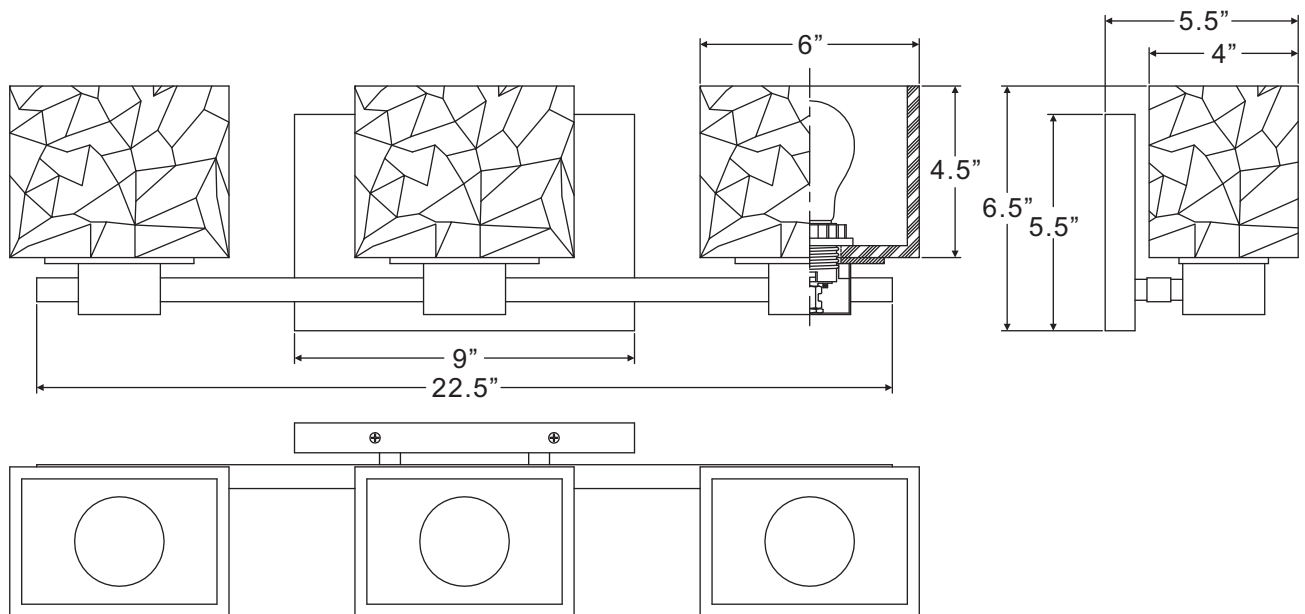
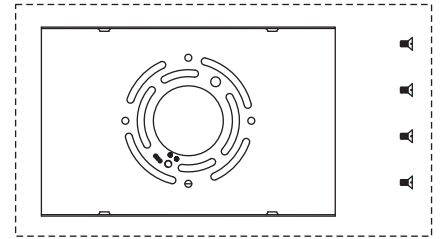


**Thank you for purchasing a Quozel product.**

**Need assistance with parts or assembly? Call Quozel customer service at 1-800-645-3184  
 or visit us on-line at [www.quozel.com](http://www.quozel.com)**

MLD8603BN

FINISH: BRUSHED NICKEL



NOTE: ALL DIMENSIONS ARE ROUNDED UP TO THE NEAREST 1/4"

**Thank you for purchasing a Quoizel product.**  
**Need assistance with parts or assembly? Call Quoizel customer service at 1-800-645-3184**  
**or visit us on-line at [www.quoizel.com](http://www.quoizel.com)**

**STEP 1 – Attach Inner Backplate to Outlet Box**

A. Secure the Inner Backplate (A) to the outlet box with outlet box screws (not supplied). Tighten until snug.

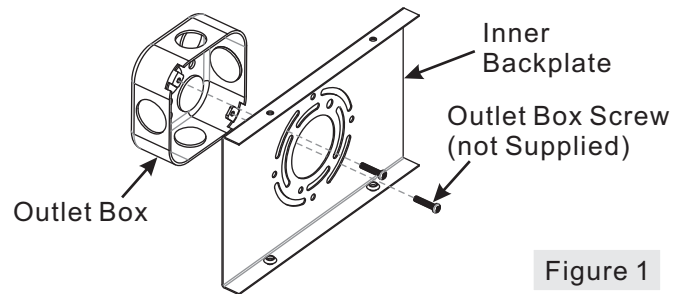


Figure 1

**STEP 2 – Make Wire Connections**

A. Use standard wire connectors (not included) to make all wire connections. Twist connectors until wires are tightly joined together. Wrap each connection with approved electrical tape and carefully stuff all the connected wires into the Outlet Box.

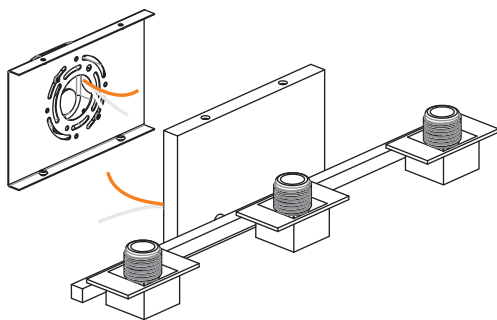


Figure 2

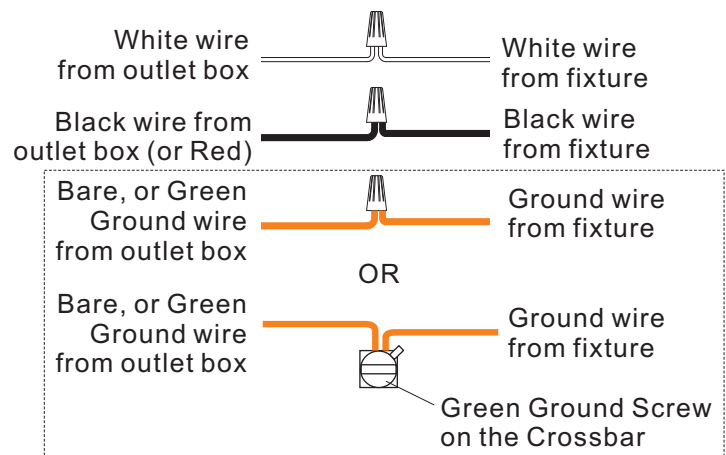


Figure 3

**STEP 3 – Attach Backplate to Nipple**

A. Align the side holes on the Backplate of the Fixture Body (C) to the mounting holes on the folded edge of the Inner Backplate (A). Secure by threading the Lock Screws (B) into the mounting holes on the Inner Backplate (A). Hand tighten until snug.

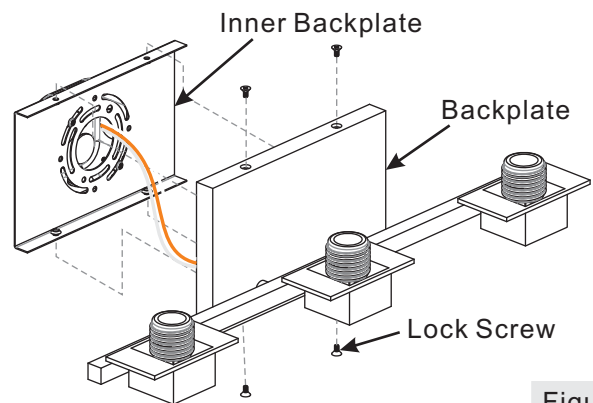


Figure 4

**Thank you for purchasing a Quozel product.**  
**Need assistance with parts or assembly? Call Quozel customer service at 1-800-645-3184**  
**or visit us on-line at www. quozel. com**

**STEP 4 – Attach Shade to Fixture Body**

A. Place the Shade (E) over the Socket and secure with the Socket Collar (D). Hand tighten until snug.

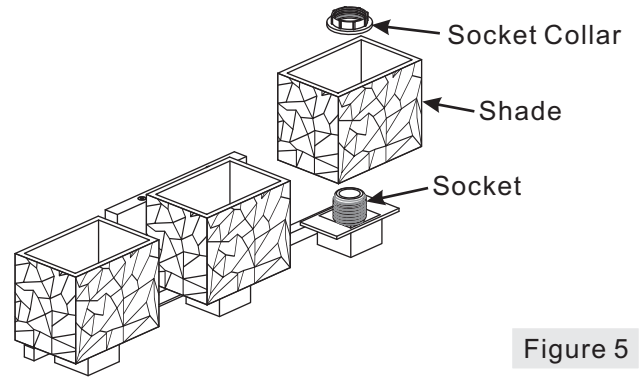


Figure 5

**STEP 5 – Install Bulbs**

A. Insert bulbs onto sockets and screw properly into place.

Your fixture is now assembled and ready to use. Enjoy!

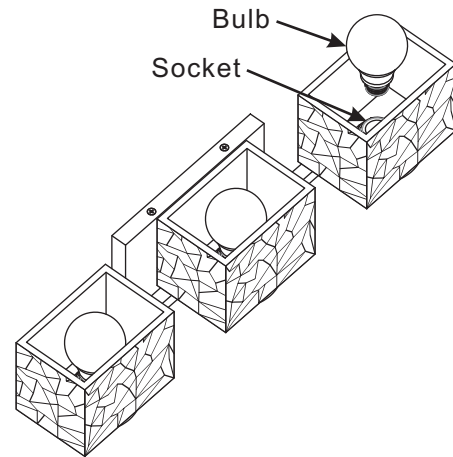


Figure 6

Thank you for purchasing a Quozel product.

Need assistance with parts or assembly? Call Quozel customer service at 1-800-645-3184  
or visit us on-line at [www. quozel. com](http://www. quozel. com)