

**SAFETY INFORMATION**

Please read and understand this entire manual before attempting to assemble, install or operate the product.

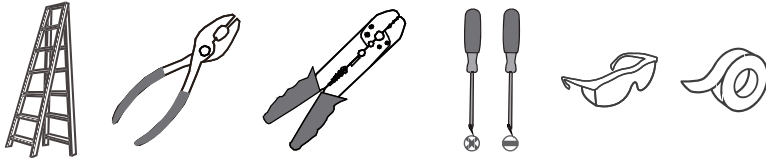
**WARNING**

- RISK OF ELECTRIC SHOCK - Before beginning installation, turn off electricity at the circuit breaker box or the main fuse box.
- RISK OF FIRE - Use bulbs specified by the markings and/or labels on the fixture.

**CAUTION**

- For your safety, read instructions completely before beginning installation.
- If in doubt about electrical installation, consult a licensed electrician.
- Turn off electricity to fixture before replacing the bulb(s).

**TOOLS REQUIRED**

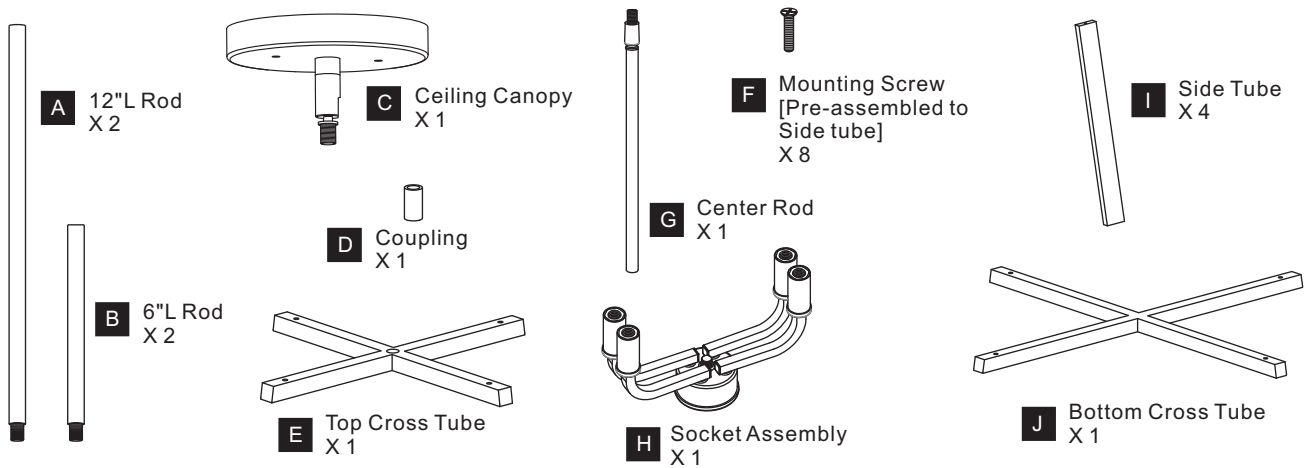


**CARE AND MAINTENANCE**

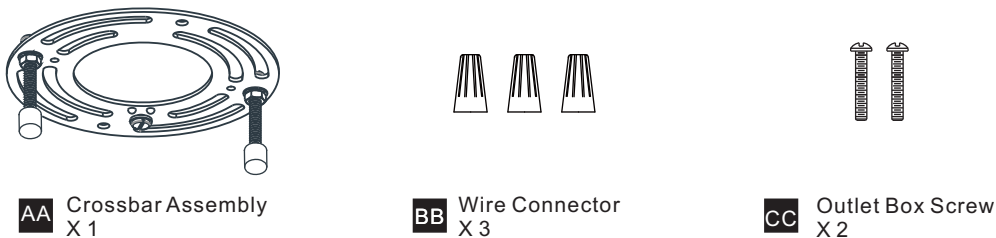
- Wipe clean using soft, dry cloth or static duster. Always avoid using harsh chemicals and abrasives to clean fixture as they may damage the finish.

If you need further assistance call Quozel Customer Care at 1-800-645-3184(9:00am - 5:00pm EST), or visit us on-line at [www.quozel.com](http://www.quozel.com)

**PACKAGE CONTENTS**



**MOUNTING HARDWARE**



# INSTALLATION

**1 Unfold Support Arms**

**2 Install Top Cross Tube to Socket Assembly**

**3 Install Bottom Cross Tube to Side Tube**

**4 Install Ceiling Canopy to Upper Rod**

Optional Rods:  
 8 Feet Ceiling:  
 (2) 12"L Rods.  
 9 Feet Ceiling:  
 (2) 6"L Rods + (2) 12"L Rods.

**5 Install Ceiling Canopy to Upper Rod**

**6 Install Crossbar Assembly**

Outlet Box

**7 Wiring**

White wire from supply | White from fixture  
 Black (or red) wire from supply | Black from fixture  
 Ground wire from supply | Ground wire from fixture  
 Green ground screw

**8 Install Ceiling Canopy to Crossbar Assembly**

Swivel  
 90Degree

For angled ceilings,  
 Swivel opening towards wall.

**9 Install Bulbs**

Install four correct bulbs referring to fixture markings and/or labels for maximum wattage.  
**Recommended Bulb Type (not included):**

BULB BASE TYPE | BULB SHAPE  
 Candelabra (E12) | TYPE B  
 60W

Your installation is now complete! Restore electricity and save this sheet for future reference.