

SAFETY INFORMATION

Released Date: 2022-02-17

Please read and understand this entire manual before attempting to assemble, install or operate the product.

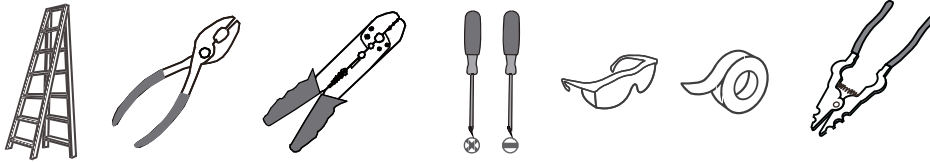
WARNING

- RISK OF ELECTRIC SHOCK - Before beginning installation, turn off electricity at the circuit breaker box or the main fuse box.
- RISK OF FIRE - Use bulbs specified by the markings and/or labels on the fixture.

CAUTION

- For your safety, read instructions completely before beginning installation.
- If in doubt about electrical installation, consult a licensed electrician.
- Turn off electricity to fixture before replacing the bulb(s).

TOOLS REQUIRED

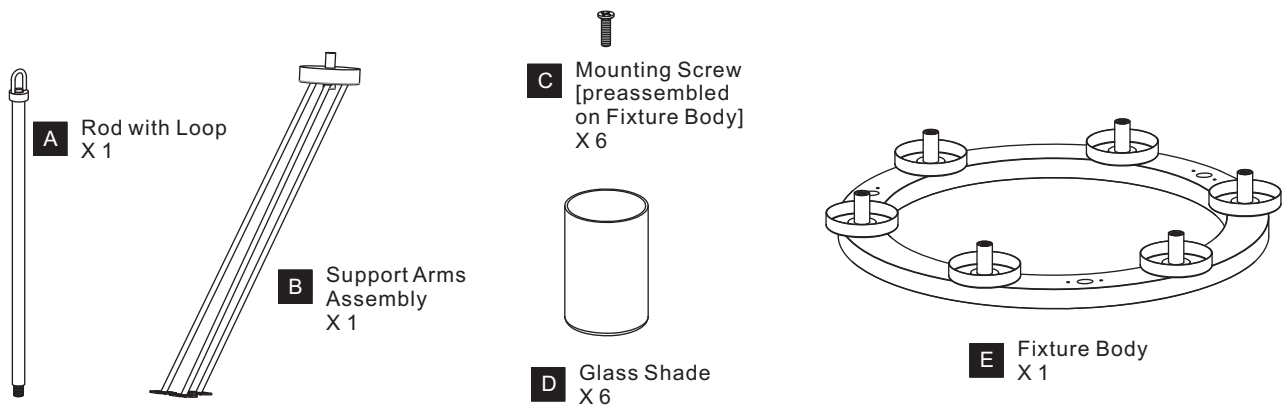


CARE AND MAINTENANCE

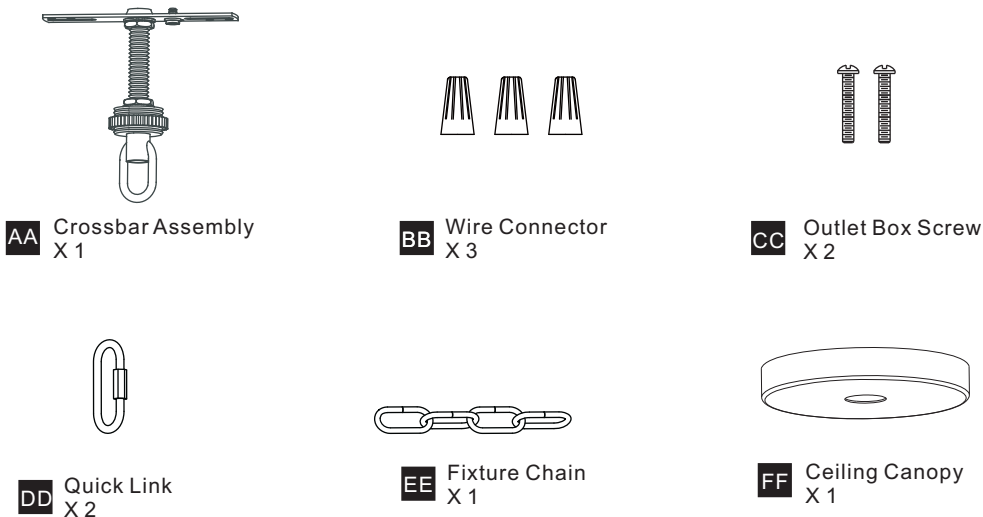
- Wipe clean using soft, dry cloth or static duster. Always avoid using harsh chemicals and abrasives to clean fixture as they may damage the finish.

If you need further assistance call Quoizel Customer Care at 1-800-645-3184(9:00am - 5:00pm EST), or visit us on-line at www.quoizel.com

PACKAGE CONTENTS

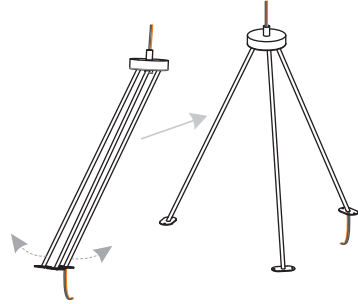


MOUNTING HARDWARE

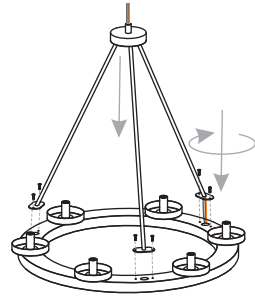


INSTALLATION

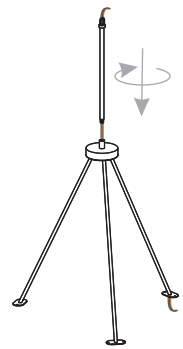
1 Unfold Arms



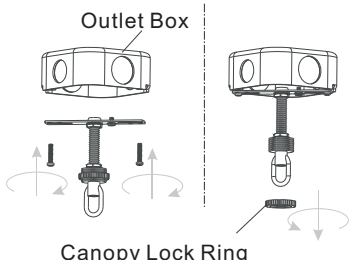
2 Install Fixture Body and Support Arms Assembly



3 Install Rod With Loop



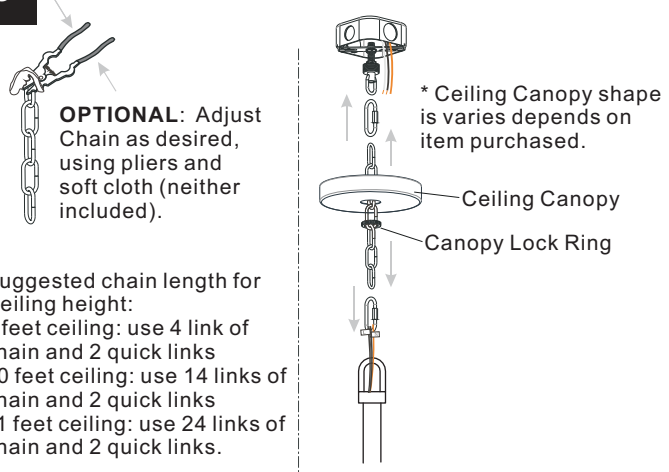
4 Install Crossbar Assembly



Outlet Box

Canopy Lock Ring

5 Install Fixture Chain



OPTIONAL: Adjust Chain as desired, using pliers and soft cloth (neither included).

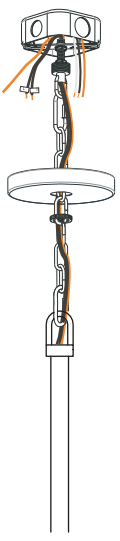
* Ceiling Canopy shape is varies depends on item purchased.

Ceiling Canopy

Canopy Lock Ring

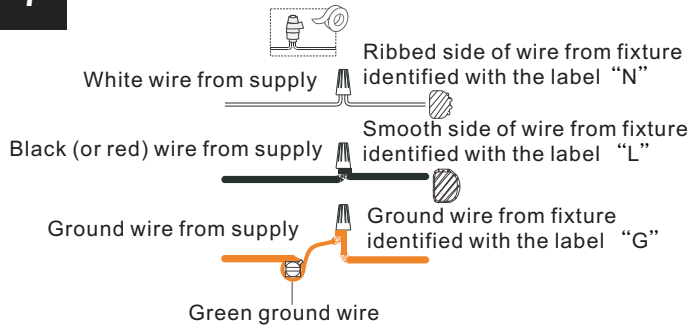
Suggested chain length for Ceiling height:
 9 feet ceiling: use 4 link of chain and 2 quick links
 10 feet ceiling: use 14 links of chain and 2 quick links
 11 feet ceiling: use 24 links of chain and 2 quick links.

6 Pull Supply Wires



Pull the supply wires with ground wire through the chain alternate links.

7 Wiring



White wire from supply

Black (or red) wire from supply

Ground wire from supply

Ribbed side of wire from fixture identified with the label "N"

Smooth side of wire from fixture identified with the label "L"


Ground wire from fixture identified with the label "G"

Green ground wire


8 Install Glass Shade and Bulbs

Install six correct bulbs referring to fixture markings and/or labels for maximum wattage.

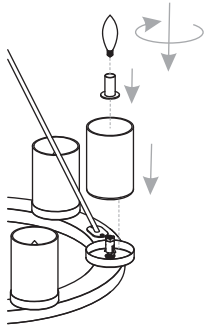
Recommended Bulb Type (not included):



BULB BASE TYPE
Candelabra (E12)



BULB SHAPE
TYPE B



Your installation is now complete! Restore electricity and save this sheet for future reference.