

**SAFETY INFORMATION**

Please read and understand this entire manual before attempting to assemble, install or operate the product.

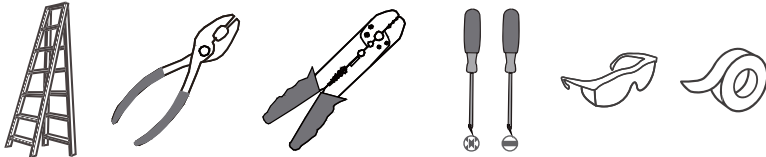
**WARNING**

- RISK OF ELECTRIC SHOCK - Before beginning installation, turn off electricity at the circuit breaker box or the main fuse box.

**CAUTION**

- For your safety, read instructions completely before beginning installation.
- If in doubt about electrical installation, consult a licensed electrician.

**TOOLS REQUIRED**



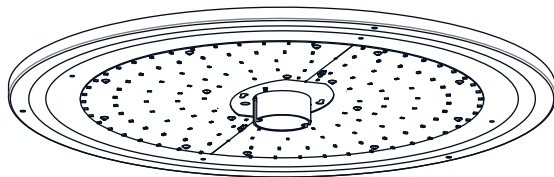
Ratings	120 ~ 277Vac, 60Hz	
	Model No.	Wattage
	EUC1624W	43W
	EUC1624BN	43W

**CARE AND MAINTENANCE**

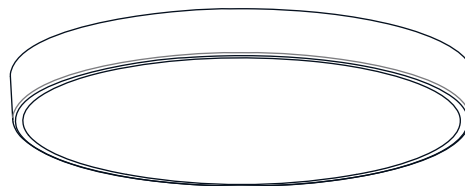
- Wipe clean using soft, dry cloth or static duster. Always avoid using harsh chemicals and abrasives to clean fixture as they may damage the finish.

If you need further assistance call Quozel Customer Care at 1-800-645-3184 (9:00am - 5:00pm EST), or visit us on-line at [www.quezel.com](http://www.quezel.com).

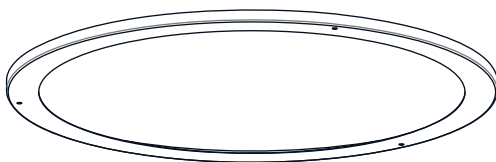
**PACKAGE CONTENTS**



**A** Ceiling Canopy  
x 1



**B** Shade  
x 1

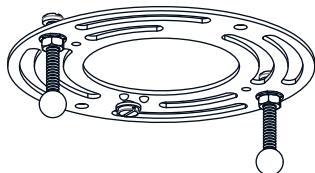


**C** Ring  
x 1



**D** Rod with Screws  
x 3

**MOUNTING HARDWARE**



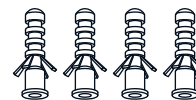
**AA** Crossbar Assembly  
x 1



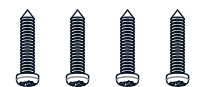
**BB** Wire Connector  
x 3



**CC** Outlet Box Screw  
x 2



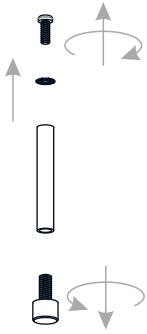
**DD** Wall Anchors  
x 4



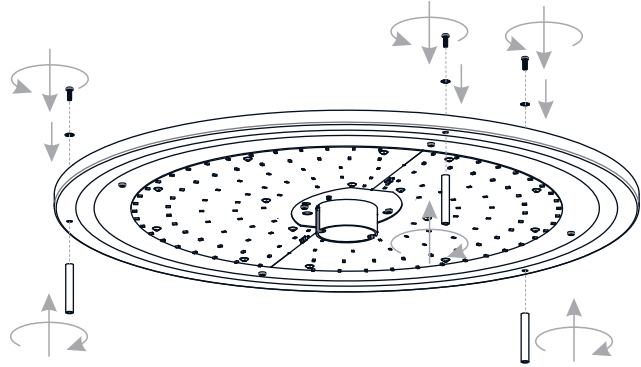
**EE** Screw  
x 4

# INSTALLATION

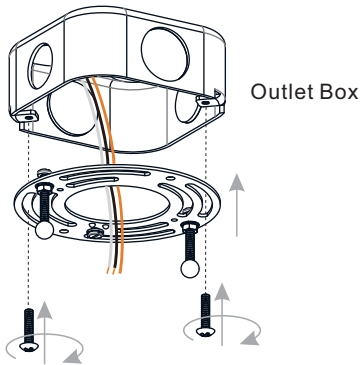
## Remove Screws from Rod



## Install Rods to Ceiling Canopy

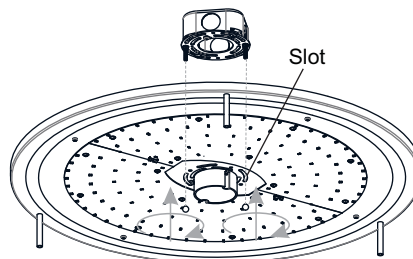


## Install Crossbar Assembly

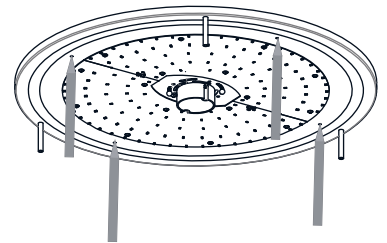


## Fitting Ceiling Canopy

Fit slots to mounting screws



Mark (4) points from (4) holes on the ceiling canopy for wall anchors on the ceiling

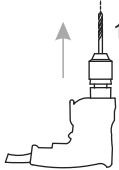


## Install Wall Anchors

CEILING

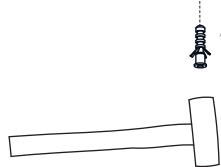
Mark

1/16" Drill Bit

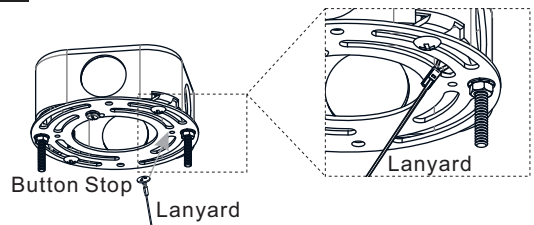


CEILING

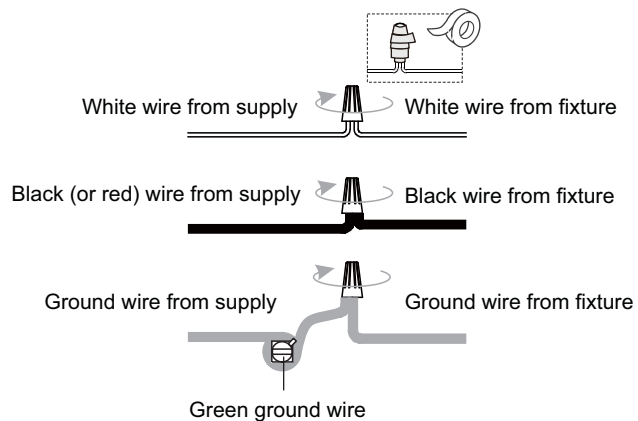
Drilled Hole



## Install Lanyard



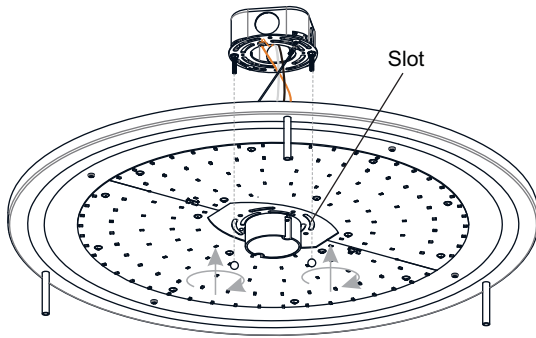
## Wiring



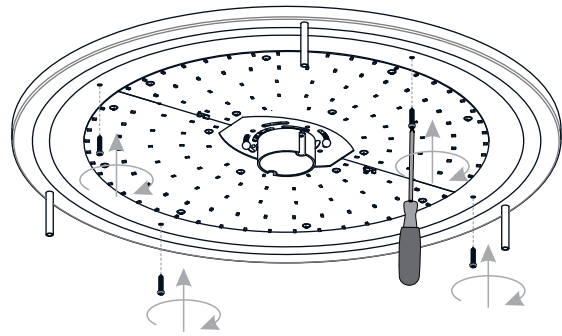
# INSTALLATION

## Install Ceiling Canopy

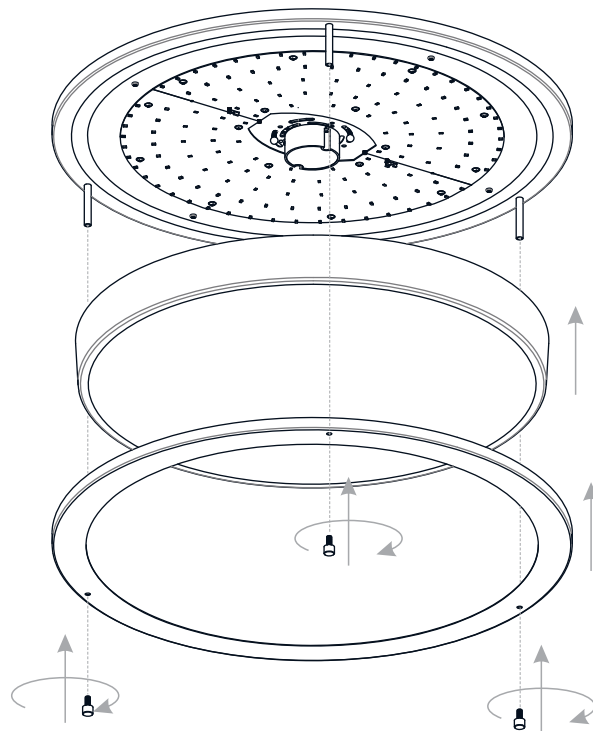
Fit slots to mounting screws



Tighten screws



## Install Shade and Ring



Your installation is now complete! Restore electricity and save this sheet for future reference.