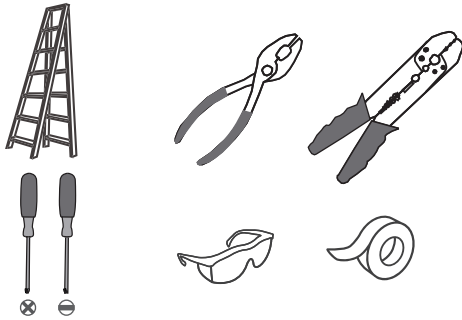
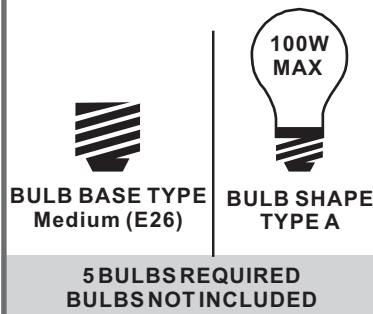


**Tools Required**



**Light Source**



**Fixture Height Adjustable  
17" to 109"**

**Warnings and Cautions**

Turn off the electricity at the circuit breaker before installation. Consult a licensed electrician if in doubt about installation.

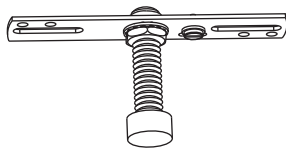
Turn off power to the fixture and allow the bulbs to cool before replacing.

**Package Contents**

**Preparation:** Identify and inspect all parts before beginning the installation.

Missing or damaged parts? Contact your original place of purchase.

**PARTS BAG**



**A** Crossbar Assembly  
x 1



**B** Outlet Box Screw  
x 2



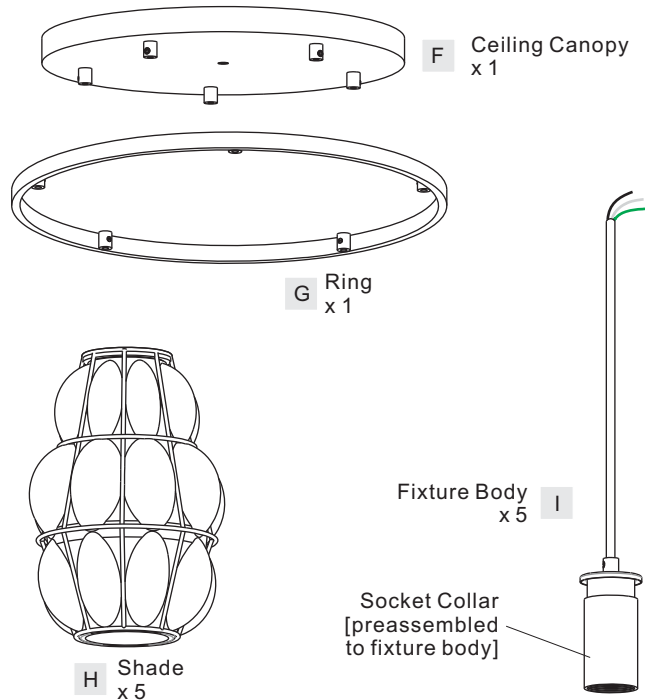
**C** Wire Connector  
x 9



**D** Safety Clip  
x 5



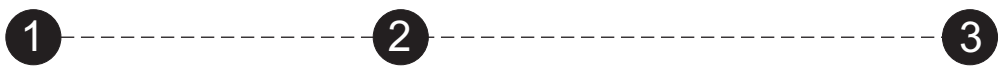
**E** Jumper Wires  
x 2



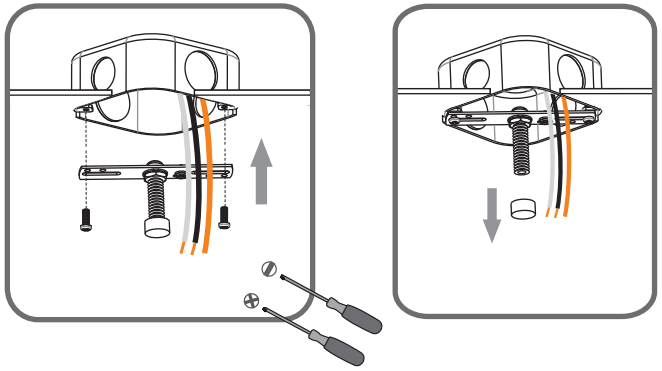
**Table of Contents**

Crossbar Assembly	Fixture Body	Jumper Wiring	Wiring	Ceiling Canopy	Shade & Bulb
<b>STEP 1</b>	<b>STEP 2</b>	<b>STEP 3</b>	<b>STEP 4</b>	<b>STEP 5</b>	<b>STEP 6</b>

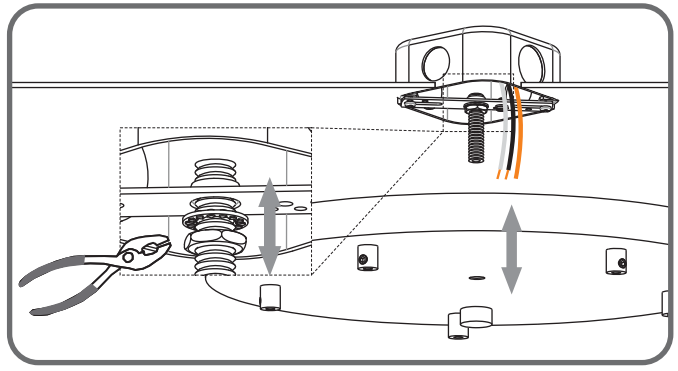
**STEP 1**



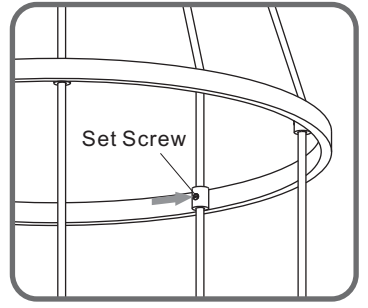
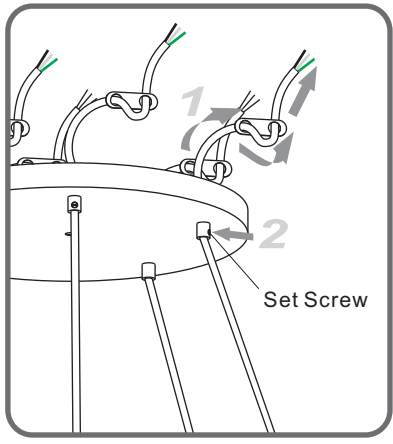
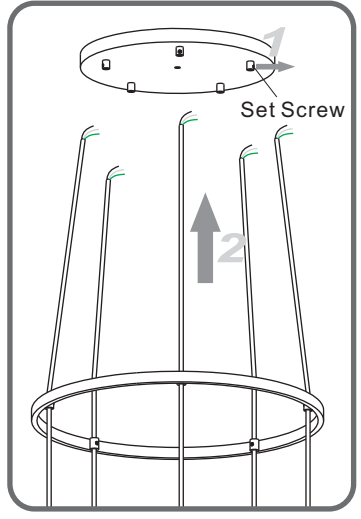
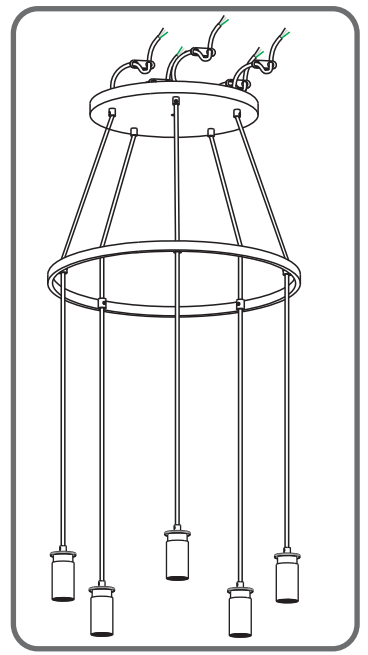
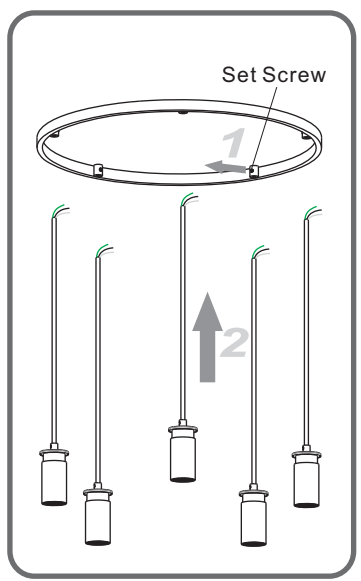
**Step 1**  
Install crossbar assembly



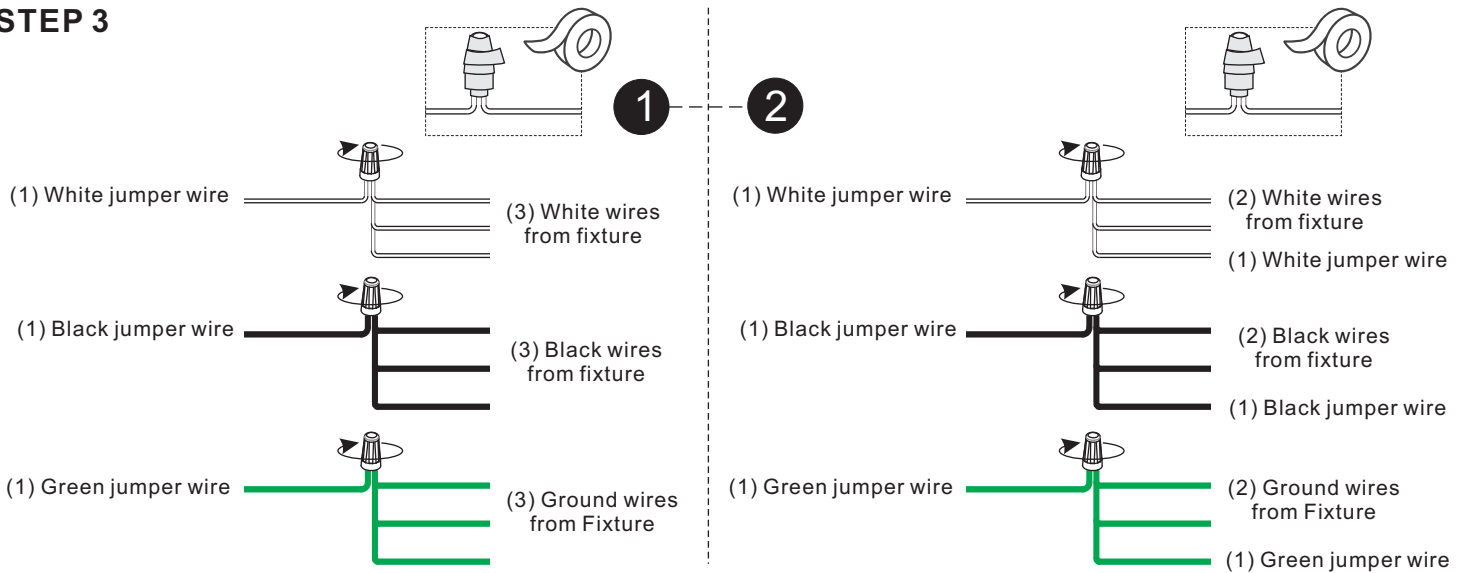
**Step 2 - 3**  
Test fitting ceiling canopy to nipple



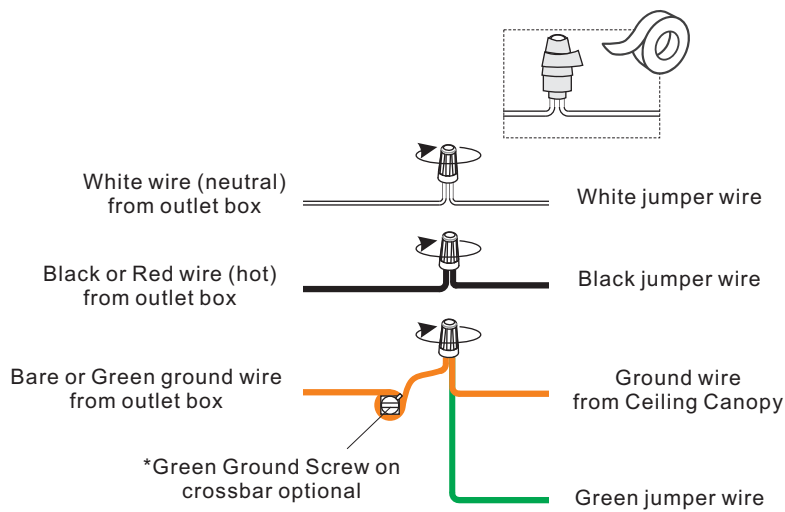
**STEP 2**



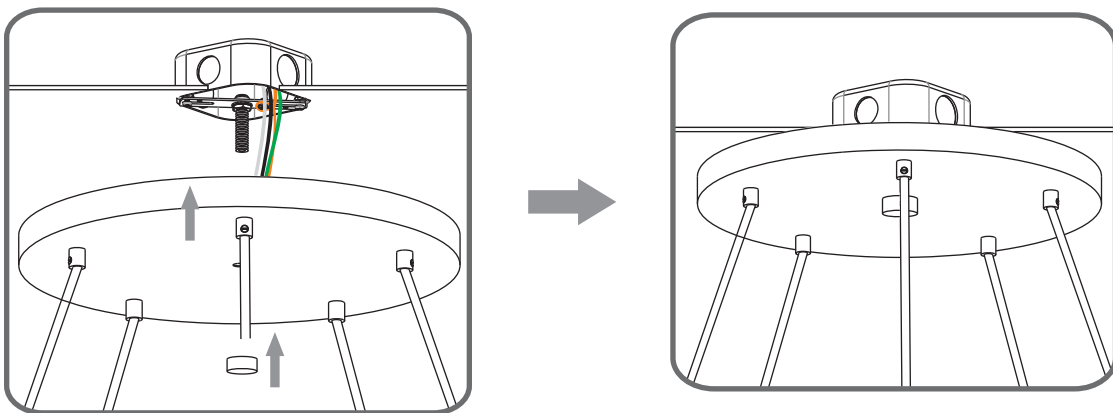
### STEP 3



### STEP 4



### STEP 5



**STEP 6**

