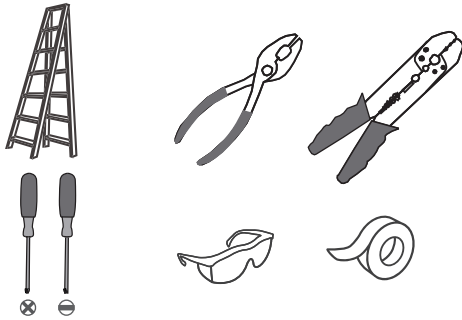
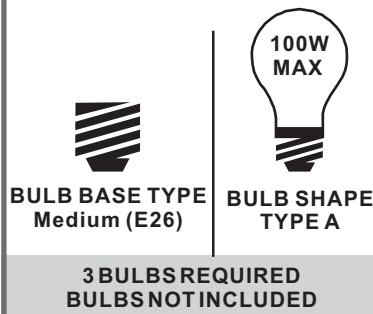


Tools Required



Light Source



**Fixture Height Adjustable
17" to 109"**

⚠ Warnings and Cautions

Turn off the electricity at the circuit breaker before installation. Consult a licensed electrician if in doubt about installation.

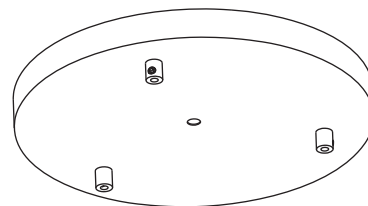
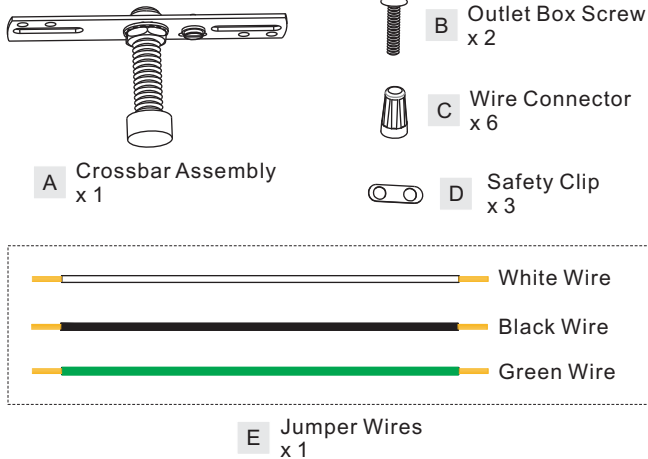
Turn off power to the fixture and allow the bulbs to cool before replacing.

Package Contents

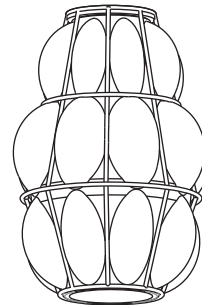
Preparation: Identify and inspect all parts before beginning the installation.

Missing or damaged parts? Contact your original place of purchase.

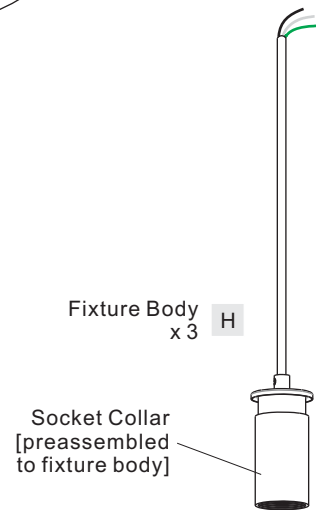
PARTS BAG



F Ceiling Canopy x 1



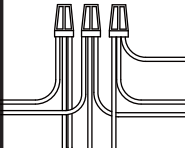
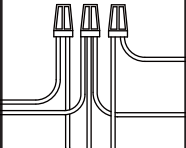
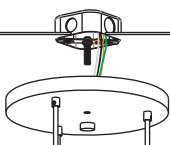



G Shade x 3

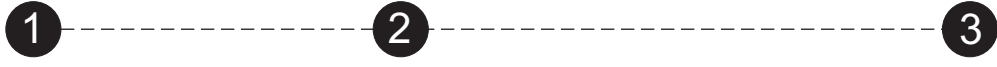


Fixture Body x 3 H

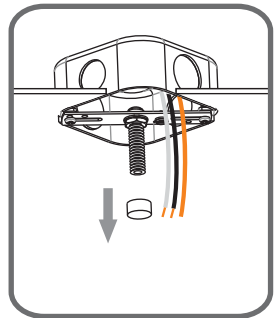
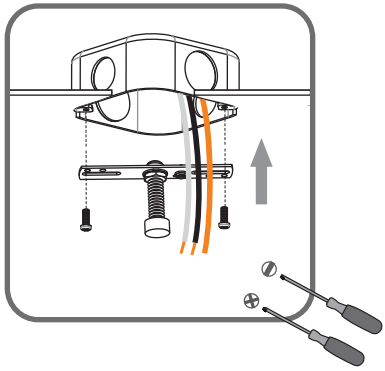
Table of Contents

Crossbar Assembly	Fixture Body	Jumper Wiring	Wiring	Ceiling Canopy	Shade & Bulb
					
STEP 1	STEP 2	STEP 3	STEP 4	STEP 5	STEP 6

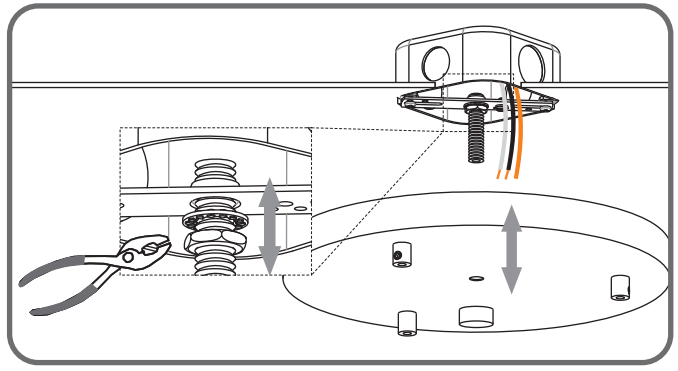
STEP 1



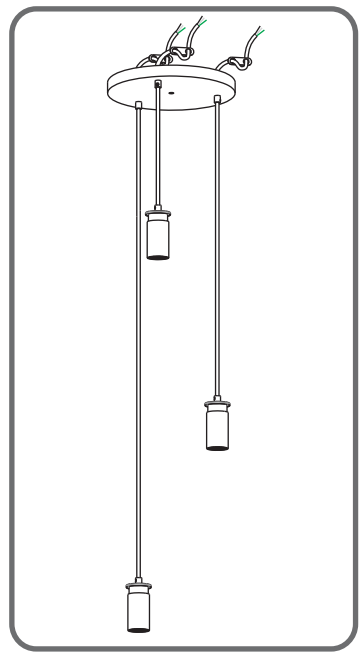
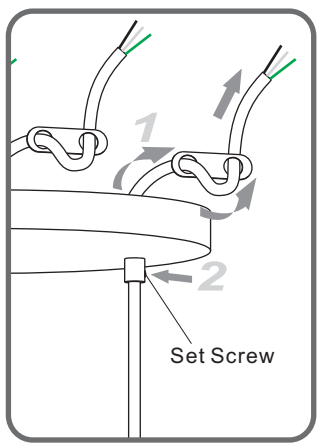
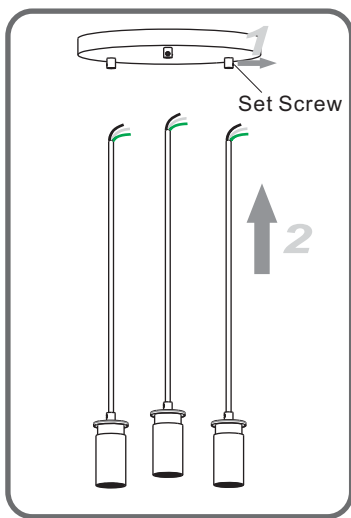
Step 1
Install crossbar assembly



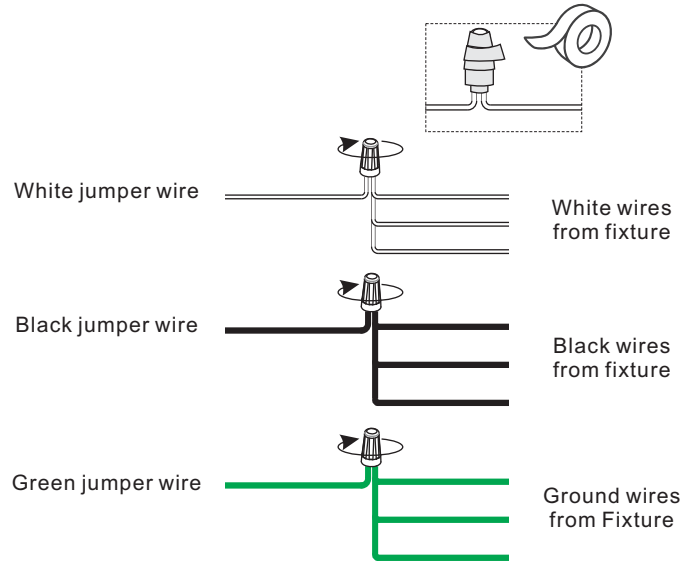
Step 2 - 3
Test fitting ceiling canopy to nipple



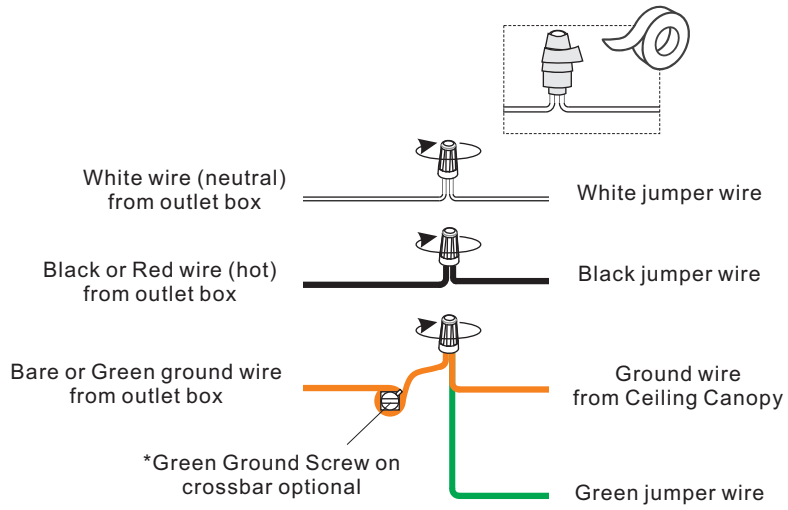
STEP 2



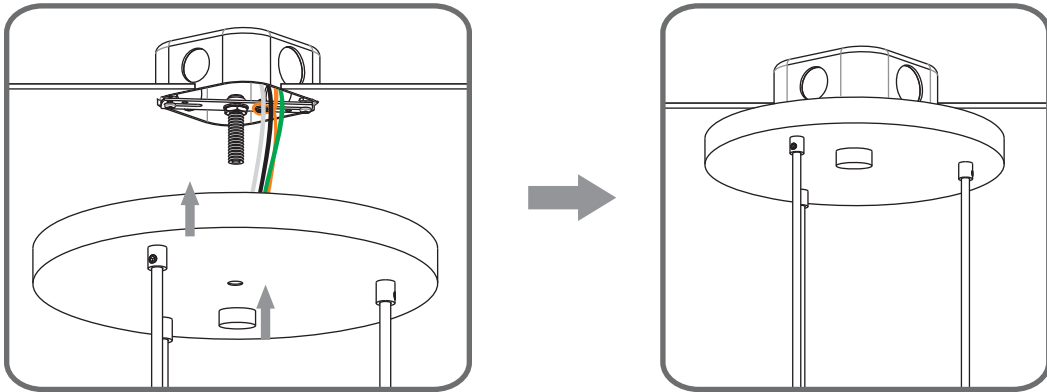
STEP 3



STEP 4



STEP 5



STEP 6

