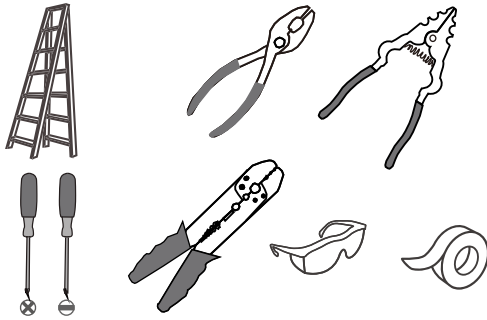
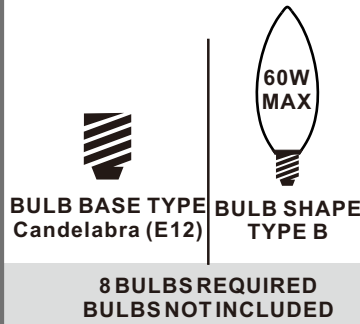


**Tools Required**



**Light Source**



**Fixture Height Adjustable 30.5" to 78.5"**

**⚠ Warnings and Cautions**

Turn off the electricity at the circuit breaker before installation. Consult a licensed electrician if in doubt about installation.

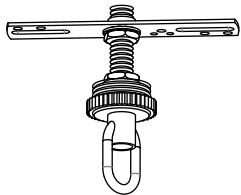
Turn off power to the fixture and allow the bulbs to cool before replacing.

**Package Contents**

**Preparation:** Identify and inspect all parts before beginning the installation.

Missing or damaged parts? Contact your original place of purchase.

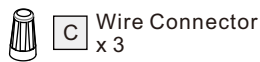
**PARTS BAG**



**A** Crossbar Assembly x 1



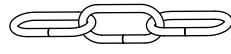
**B** Outlet Box Screw x 2



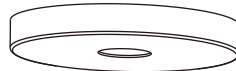
**C** Wire Connector x 3



**D** Quick Link x 2



**E** Fixture Chain x 1



**F** Ceiling Canopy x 1



**G** Fixture Loop x 1



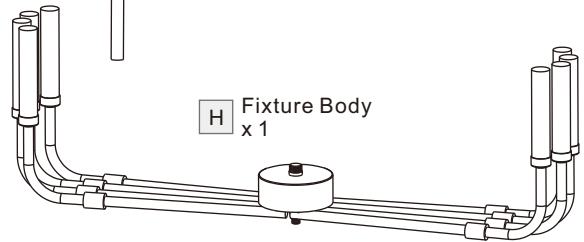
**I** Cap x 1



**K** Rod x 1



**J** Finial x 1

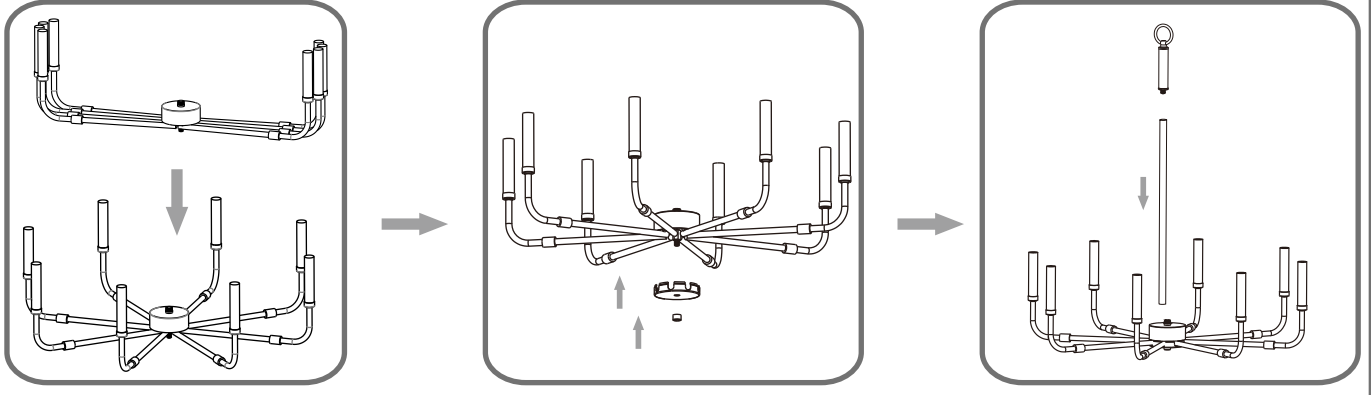


**H** Fixture Body x 1

**Table of Contents**

Fixture Loop	Crossbar Assembly	Fixture Chain	Wiring	Ceiling Canopy	Bulb
<b>STEP 1</b>	<b>STEP 2</b>	<b>STEP 3</b>	<b>STEP 4</b>	<b>STEP 5</b>	<b>STEP 6</b>

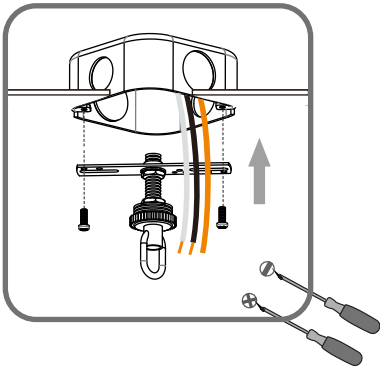
### STEP 1



### STEP 2

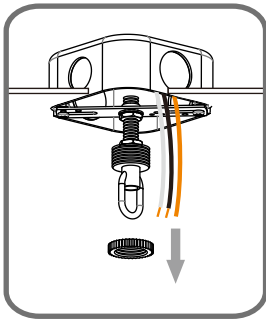
1

Step 1  
Install crossbar assembly

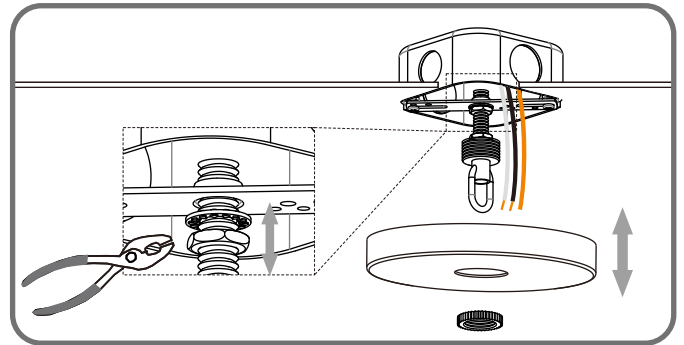


2

Step 2 - 3  
Test fitting ceiling canopy to nipple



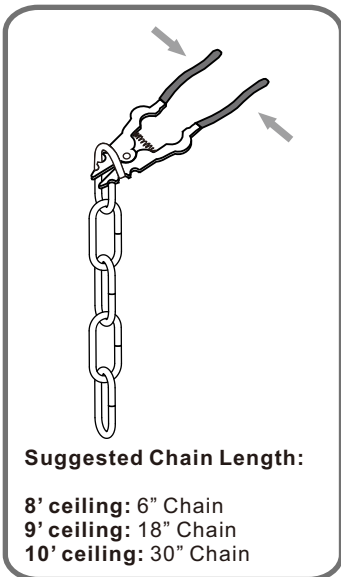
3



### STEP 3

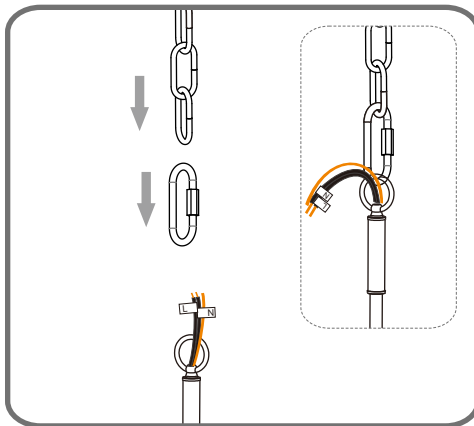
1

Step 1  
Adjust fixture chain length

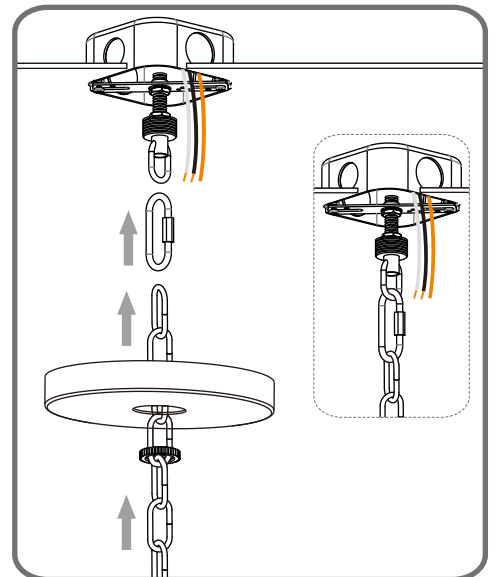


2

Step 2 - 3  
Install Fixture Chain



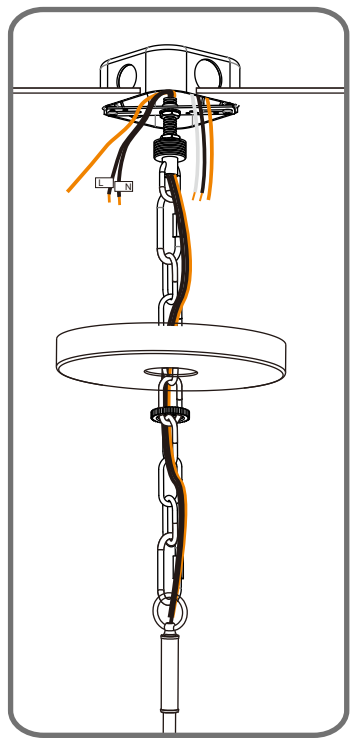
3



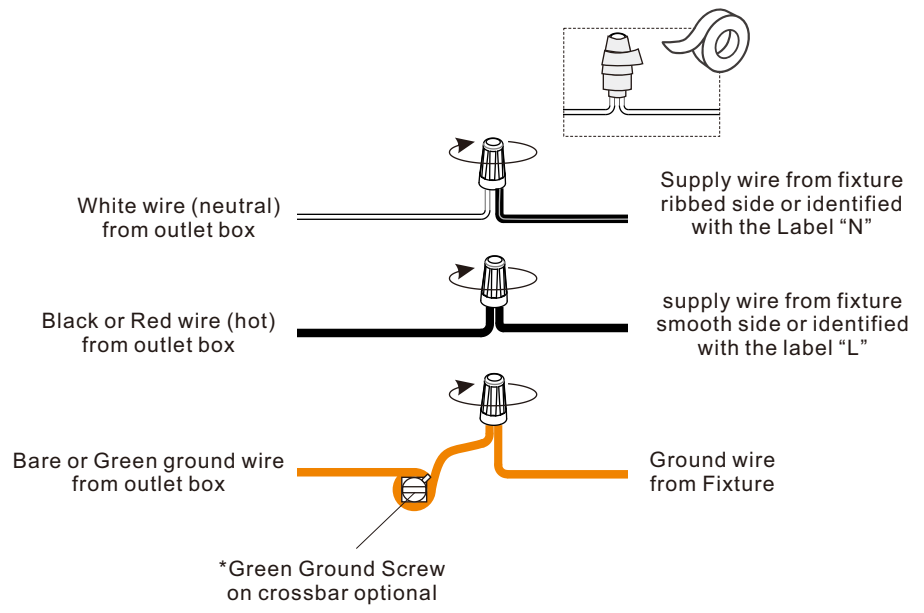
**STEP 4**

**1**

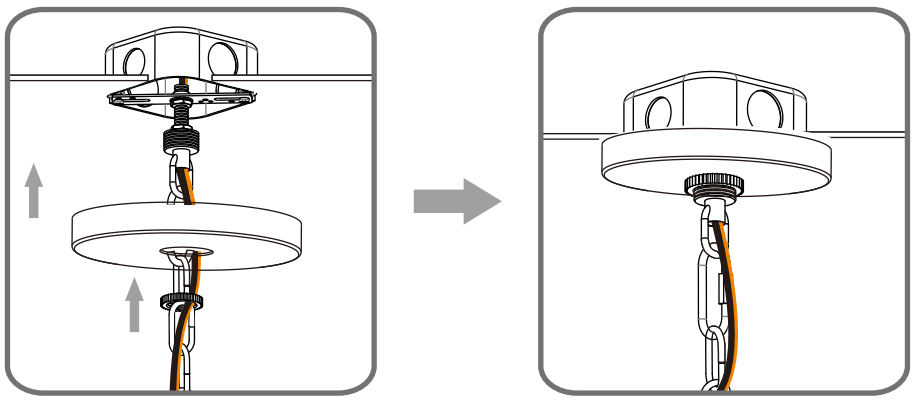
**Step 1**  
Feed the fixture wires  
through the loop



**2**



**STEP 5**



**STEP 6**

