

PERHC SERIES

LED Indoor and Outdoor Remote

Specifications:

Description:

The PERHC Series offers quality and value with a compact and attractive LED based remote emergency light. The white base-plate and lamp –heads are made of high impact UL flame rated thermoplastic. Lamp-heads are fully adjustable and glare-free. The remote lamps are driven by the Progress remote capacity Exit combo or Emergency Light. The Outdoor Remote lamp-heads are fully gasketed and weatherproof to ensure operation in wet environments.

Features:

- LED life-cycle of more than 10 years
- Single or Double lamp-head remote with base-plate
- Quick installation
- Damp location listed (Indoor)
- Fully gasketed for application in wet environment (Outdoor)
- Fully adjustable lamp-heads
- 3 VDC
- 1 Watt per lamp

Application:

The PERHC Series can be applied in stair-wells, hallways, offices and other commercial applications (Indoor) or over path of egress doors and in areas affected by rain, moisture and condensation.

Compliances:

- UL924 Listed for Damp Location (Indoor)
- NFPA 101 and NFPA 70
- OSHA

Warranty:

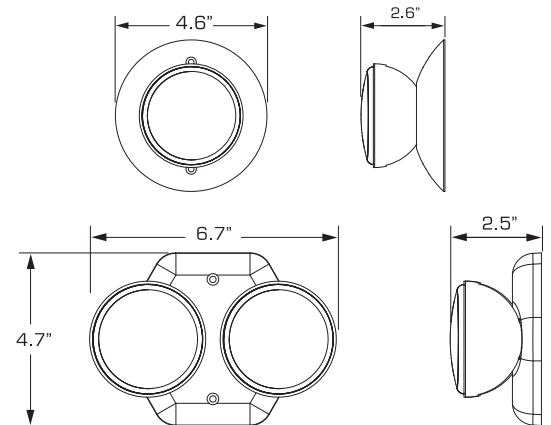
2 year full unit warranty

Images:

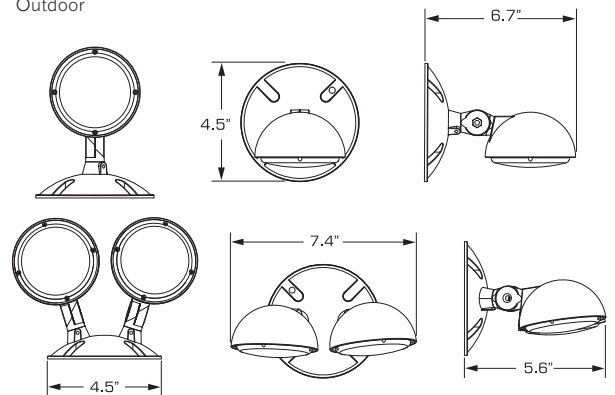


Dimensions:

Indoor



Outdoor



Catalog number:

Base	Lamp	Location	Finish
PERHC	SG - Single DB - Double	ID - Indoor OD - Outdoor	30 - White