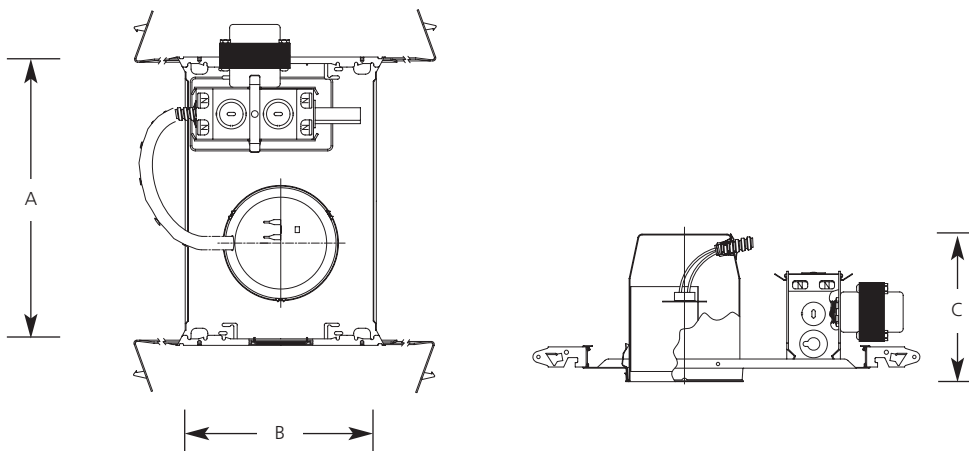


Type \_\_\_\_\_

P816-TG

Catalog No.	Lamping	Dimensions (Inches)		
		A	B	C
P816-TG	12V 50w MR16	10-3/4	7-7/8	5-1/2
		Ceiling Opening 4-1/2		



**Specifications:**

Wiring

- Universal junction box with snap-out sides
- Removable housing for field inspection of wiring
- Grounding pigtail
- Knockout free Romex clamps
- 1/2" & 3/4" Knock outs for rigid or BX fittings

Construction

- Notched housing for chalkline alignment
- Overspray protection
- Full wrap-around plaster frame
- Removable K.O. for remodel use (P8607-01 plaster frame clips also required)
- Integral 12-volt magnetic transformer
- Housing adjusts from 1/2" to 2-1/2" thick ceilings

Bar Hangers

- Integral nailers for wood joist construction
- Integral T-bar mounting clamps
- Span 24" T-bar spacing
- Lock to secure housing
- Captive
- 90-degree mounting for tight spaces

Labeling

- UL-CUL listed for damp location and through branch wiring
- Non-IC rated

Lamp/Trim

- Lamp mounts to assembly on trim for optimum performance and consistent lamp position