

Everlume

Ceiling or wall Mounted • Wet Location Listed PROGRESS LED



Description:

Edgelit technology creates a large glare-free and evenly illuminated surface for a variety of applications for both residential and commercial settings. Offering a low-profile design, LED Flush Mount is available in three sizes: 7", 11", and 14", in a White finish. The integrated driver does not recess into junction box, allowing for easy installation into 4" octagonal, 4" round PVC and 4-1/2" ceiling pan junction boxes. Wet location listed and offers a 50,000-hour LED life.

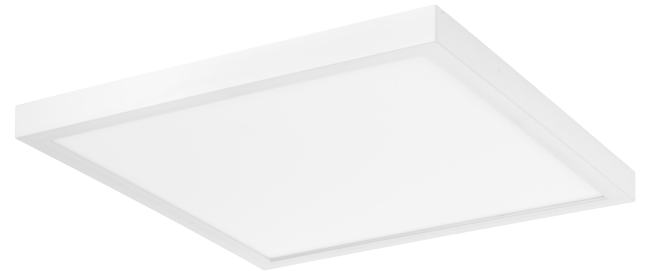
Specifications:

- Diffused polycarbonate lens
- 14" square Everlume Edgelit surface mount with LED technology 3000K, 90 CRI, 1600 lumens (delivered)
- Simple installation to steel mounting plate
- Fixture is adjustable after installation, allowing for easy alignment
- Light weight non-conductive polycarbonate luminaire construction
- Polycarbonate diffuser and acrylic light guide controls glare and provides an evenly illuminated surface
- Integrated DC LED power supply capable of flicker-free dimming to 10% brightness with many Triac/Forward Phase and ELV/Reverse Phase dimmers
- Can be installed to 4" octagonal j-box, 4x1/2" round shallow j-box and 4" round PVC j-box
- Can be mounted on ceiling or wall
- Suitable for use in IC or Non-IC applications
- Meets California Title 24 JA8-2019 and is Energy Star listed
- Suitable for use in clothes closets when installed in accordance with the NEC 410.16 spacing requirements.
- Maximum 25 luminaires on a circuit (without dimmer).
- 50,000 hour rated lifetime
- Dimmable to 10% brightness (See Dimming Notes)
- Mounting backplate for outlet box included
- 6 in of wire supplied

Performance:

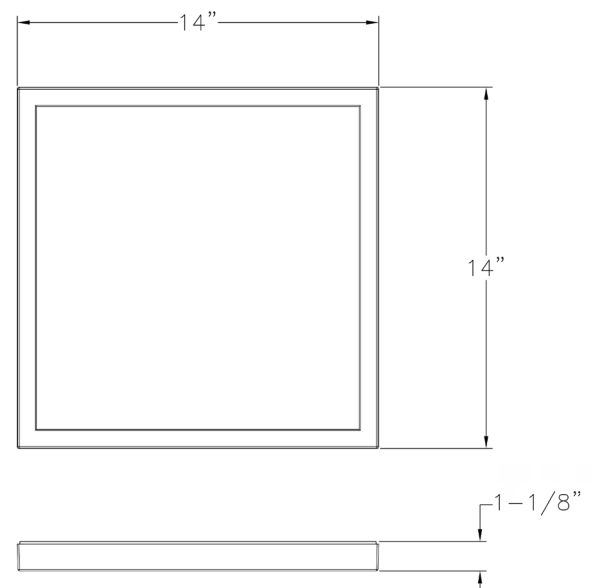
Number of Modules	1
Input Power	20 W
Input Voltage	120 V
Input Frequency	60 Hz
Lumens/LPW (Delivered)	1,600/84 (LM-79)
CCT	3000 K
CRI	90 CRI
Life (hours)	50000 (L70/TM-21)
EMI/RFI	FCC Title 47, Part 15, Class B
Min. Start Temp	-30 °C
Max. Operating Temp	30 °C
Warranty	5 year warranty
Labels	cCSAus Wet Location Listed
	ENERGY STAR® qualified
	Meets California Title 24 JA8-2019

P810021-030-30



Dimensions:

Square: 14 in
 Height: 1-1/8 in



Photometrics:

P810021-030-30

ELECTRICAL DATA	P810021-030-30
Input Voltage	120 V
Input Frequency	60 Hz
Input Current	0.165 A
Power Factor	0.98
THD	<20%
EMI/RFI	FCC Title 47, Part 15, Class B
Operating Temperature	-30 °C to 30 °C
Dimming	Yes*
Over-voltage, over-current, short-circuit protected	
*See Dimming Notes for more information	

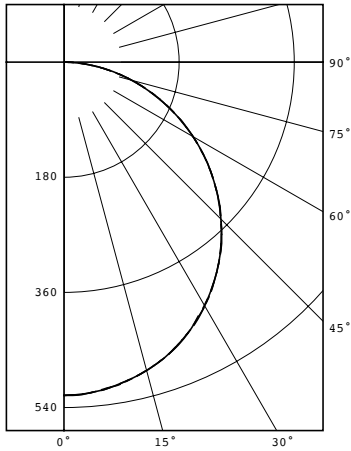
P810021-030-30
 LED Light Engine: 3000 K 90 CRI
 System Wattage: 20
 Fixture delivered lumens: 1600
 Fixture Efficacy: 84
 Spacing Criteria: 1.25

CANDELA DISTRIBUTION

	CANDELA DISTRIBUTION					FLUX
	0.0	22.5	45.0	67.5	90.0	
0	521	521	521	521	521	
5	518	518	518	518	518	49
15	499	499	499	499	499	141
25	464	464	464	464	464	214
35	412	412	412	412	412	258
45	346	346	347	346	347	268
55	273	272	273	273	273	244
65	192	191	192	191	192	190
75	111	110	110	109	110	116
85	32	31	32	31	32	35
90	1	0	0	0	1	
95	0	0	0	0	0	0
105	0	0	0	0	0	0
115	0	0	0	0	0	0
125	0	0	0	0	0	0
135	0	0	0	0	0	0
145	0	0	0	0	0	0
155	0	0	0	0	0	0
165	0	0	0	0	0	0
175	0	0	0	0	0	0
180	0	0	0	0	0	0

ZONAL LUMEN SUMMARY

ZONE	LUMENS	%FIXT
0-30	404	26.7
0-40	661	43.7
0-60	1173	77.5
0-90	1513	100.0
90-120	0	0.0
90-130	0	0.0
90-150	0	0.0
90-180	0	0.0
0-180	1513	100.0



Test 19.01445 Test Date 08/14/19

Dimming Notes:

P810021-030-30 is designed to be compatible with many Triac/Forward Phase or ELV/Reverse Phase controls.

The following is a partial list of known compatible dimmer controls.

Dimming Controls:

Eaton AAL06

Eaton SAL06P

IDevices IDEV009

Leviton IPI06-1LZ

Leviton 6672

Leviton 6674

Lutron NTEVL-300

Lutron DVELV-300P

Lutron DVCL-253P

Lutron SCL-153P

Lutron TGCL-153-PH-WH

Lutron MACL-153M

Dimming capabilities will vary depending on the dimmer control, load, and circuit installation.

Always refer to dimmer manufacturer instructions or a controls specialist for specific requirements.

Dimmer control brand names where identified above are trade names or registered trademarks of each respective company.

P810021-030-30