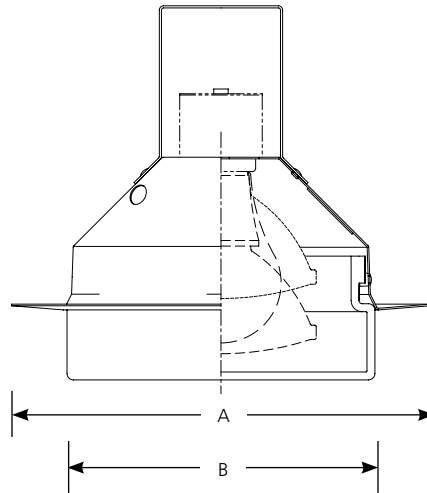


Type \_\_\_\_\_  
-60  
P8007

Catalog No.	Finish	Dimensions (Inches)	
	White Glass, Metallic Flange	A	B
P8007	-60	7-3/4	5-1/8



**Lamp Wattage**

Housing	IC	Non-IC
P87-AT, P87-ATQC	60A19, 50w PAR30	100A19, 75w PAR30
P187-TG	60A19, 50w PAR30	100A19, 75w PAR30
P821-AT	75A19, 75w PAR30	75A19, 75w PAR30
P821-FB	N/A	75A19, 75w PAR30
P821-FBFC	N/A	75A19, 75w PAR30

**Specifications:**

Flange

- Bright white metal flange
- No light leaks around trim flange
- Covers irregular ceiling openings

Trim

- Trim-Lok® action forces trim to fit snugly against the ceiling
- Socket mounts to trim for optimum performance and consistent lamp position
- Full aluminum interior reflector

Lens

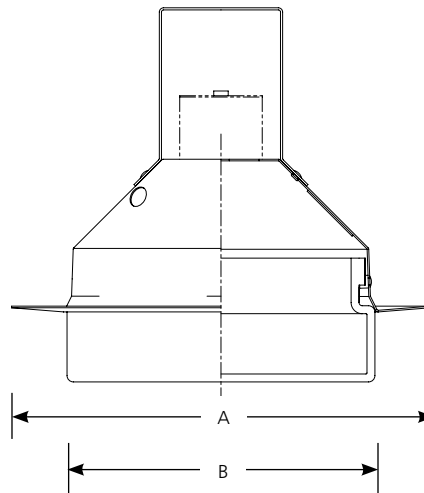
- Drop opal glass: 5-11/16" OD neck, 6-1/16" dia. x 2-3/8" ht.

Labels

- UL-CUL wet location listed

Type \_\_\_\_\_  
-60  
P8007

Catalog No.	Finish	Dimensions (Inches)	
	White Glass, Metallic Flange	A	B
P8007	-60	7-3/4	5-1/8



**Lamp Wattage**

Housing	IC	Non-IC
P83-AT	13w 4-pin Triple-tube CF	13w 4-pin Triple-tube CF
P83-ICAT	13w 4-pin Quad/Triple-tube CF	13w 4-pin Quad/Triple-tube CF
P88-ICAT	18w 4-pin Quad/Triple-tube CF	18w 4-pin Quad/Triple-tube CF
P183-EB	13w 4-pin Triple-tube CF	13w 4-pin Triple-tube CF

**Specifications:**

Flange

- Bright white metal flange
- No light leaks around trim flange
- Covers irregular ceiling openings

Trim

- Trim-Lok® action forces trim to fit snugly against the ceiling
- Socket mounts to trim for optimum performance and consistent lamp position
- Full aluminum interior reflector

Lens

- Drop opal glass: 5-11/16" OD neck, 6-1/16" dia. x 2-3/8" ht.

Labels

- UL-CUL wet location listed