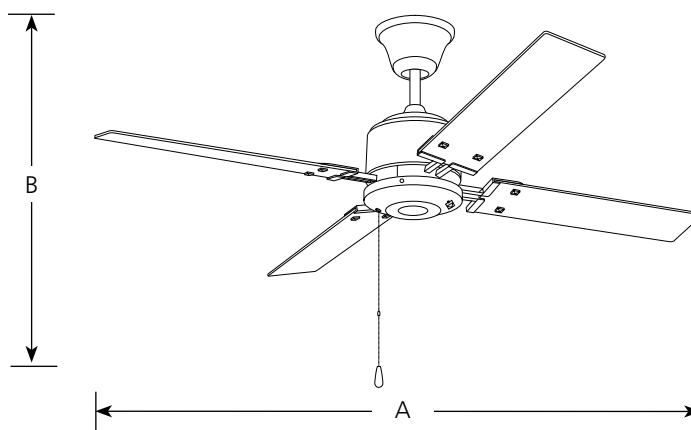


Type \_\_\_\_\_  
-09 -20  
P2531

Catalog No	Finish		Dimensions (Inches)	
	Brushed Nickel	Antique Bronze	A	B
P2531	-09	-20	52	16
Blades				
Side 1	Natural Cherry	Medium Cherry		
Side 2	Cherry	Classic Walnut		



**Specifications:**

General

- 30 year limited warranty
- Pull chain on brushed nickel (-09) is chrome with a maple fob and antique brass (-20) is oxide with a walnut fob

Blades

- Four blades
- Reversible
- 12.5 degree pitch
- Sure Connect blade attachment system
  - Screws preinstalled in blades for attachment to motor arms
  - Special guides align blades to motor arms
  - Preinstalled rubber isolation pads minimize vibration noise
- Plywood blade construction

Motor

- 3-speed pullchain control
- Triple capacitor speed control; manual reverse control
- 153mm dia x 18mm high

Mounting

- A 1" x 6" downrod is included. Longer accessory downrods can be ordered separately
- Standard canopy designed for sloped ceilings up to 45 degrees (12:12 ceiling pitch)
- Oversized, textured die cast hanger ball reduces noise and wobble vibrations
- Canopy covers standard recessed 4" octagonal outlet box. Note: An outlet box assembly designed for fan installation is required (not included)
- Mounting hardware is included
- Close-to-ceiling installation 11" ht.

Electrical

- 80" lead wires included
- Light fixture adaptable
- Pre-wired

Labeling

- UL listed

ENERGYGUIDE

<p>Estimated Yearly Energy Cost</p> <p style="font-size: 1.5em; font-weight: bold;">\$10</p> <p style="font-size: 0.8em;">Cost Range of Similar Models (19" - 84")</p> <p style="font-size: 0.7em;">                     • Based on 12 cents per kWh and 6.4 hours use per day                      • Your cost depends on rates and use                      • Energy Use: 36 Watts                 </p>	<p>Airflow</p> <p style="font-size: 1.5em; font-weight: bold;">3,083</p> <p style="font-size: 0.8em;">Cubic Feet Per Minute</p> <p style="font-size: 0.7em;">                     • The higher the airflow, the more air the fans will move                      • Airflow Efficiency: 85 Cubic Feet Per Minute Per Watt                 </p>
---	---

All estimates based on national rates. See www.fanenergy.com for more information.

Fan mounted as close-to-ceiling.

ENERGY INFORMATION AT HIGH SPEED

AIRFLOW:	4248 CFM cubic feet per minute
ELECTRICITY USE:	53 watts (excludes lights)
AIRFLOW EFFICIENCY:	76 cubic feet per minute per watt

Progress Lighting  
701 Millennium Blvd.  
Greenville, South Carolina  
29607