

### LAVATORY FAUCET

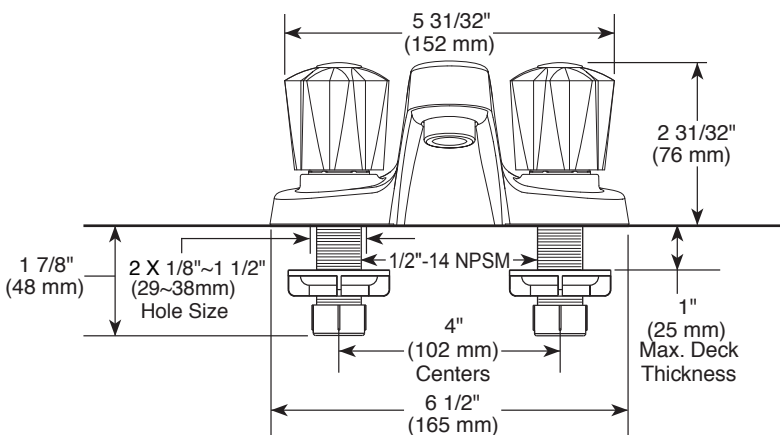
- Two handle, knob, centerset lavatory faucet

### STANDARD SPECIFICATIONS:

- Maximum flow rate 1.20 gpm @ 60 psi, 4.54 L/min @ 414 kPa
- Two or three hole mount
- The fully replaceable, washerless valve design rotates from the full-off position to the full-on position in 90°.
- The valve stems on the hot and cold stems are interchangeable.
- 1/2" - 14 NPSM threaded male inlet shanks.

### WARRANTY

- Lifetime limited warranty on parts (other than electronic parts and batteries) and finishes; or for commercial users, for 5 years from the date of purchase.
- 5 year limited warranty on electronic parts (other than batteries); or for commercial users, for 1 year from the date of purchase. No warranty is provided on batteries.



### COMPLIES WITH:

- ASME A112.18.1 / CSA B125.1
- EPA WaterSense®
- Verified compliant with 0.25% weighted average Pb content regulations.