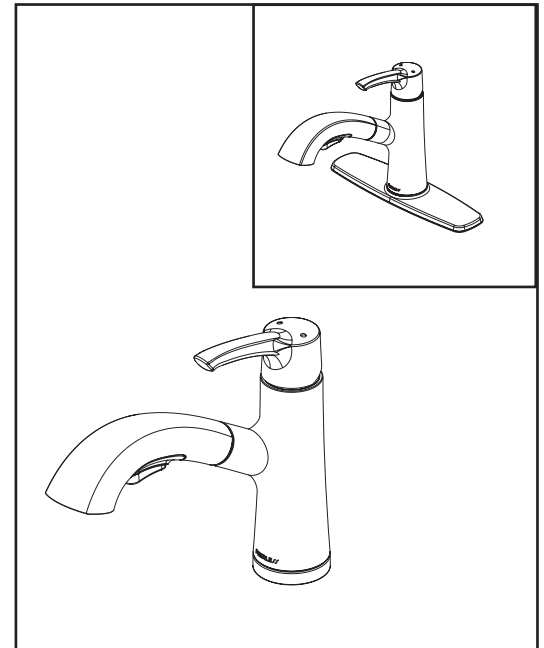
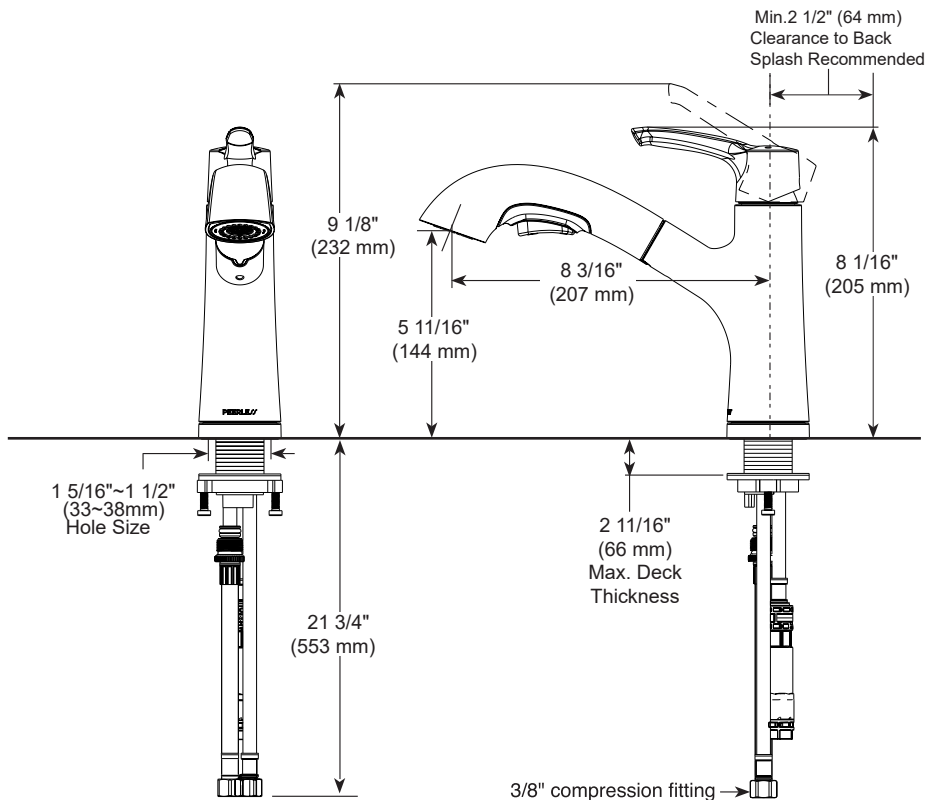


PEERLESS®

P6935LF▲



KITCHEN FAUCETS

- Single handle pull-out
- 1, 2, 3 or 4 Hole Sink Applications

STANDARD SPECIFICATIONS:

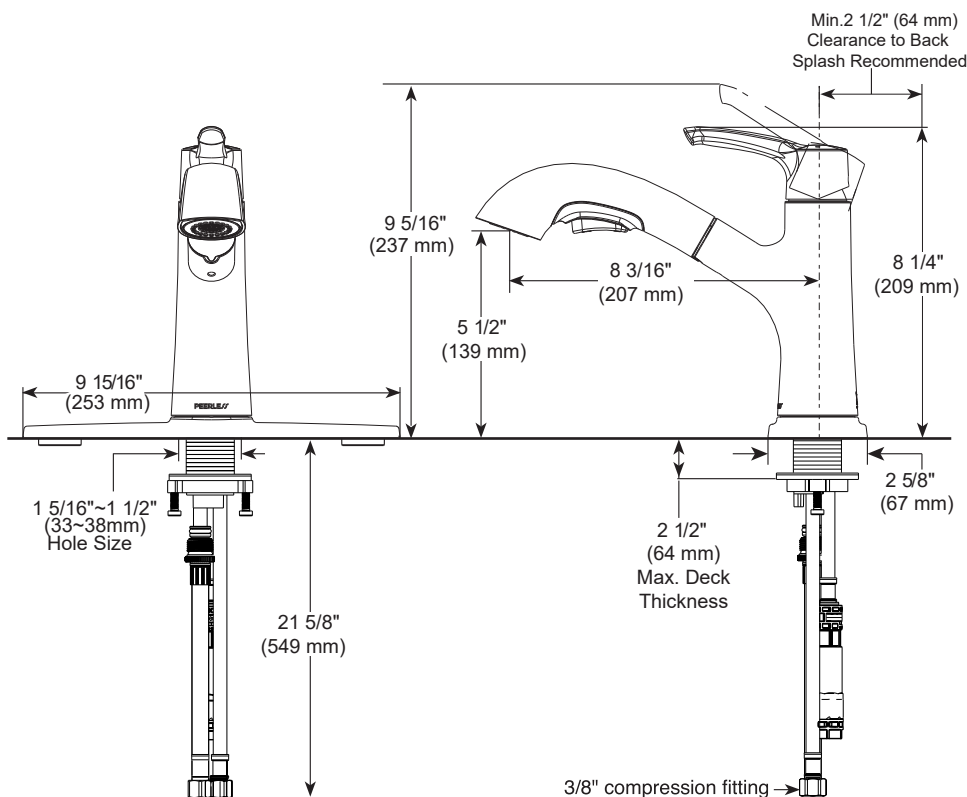
- Maximum 1.5 gpm @ 60 psi, 5.7 L/min @ 414 kPa
- One, two, three, four hole mount options (escutcheon and soap dispenser optional, sold separately)
- Two-function wand; aerated stream or spray
- Dual integral check valves in sprayer
- Ceramic cartridge
- Spout rotates 120°
- Red/Blue indicator markings
- Polymer braided flexible supply hose with 3/8" compression fitting - 21 3/4" (553 mm) long

WARRANTY

- Parts and Finish - Lifetime limited warranty; or for commercial purchasers, 10 years for multi-family residential (apartments and condominiums) and 5 years for all other commercial uses, in each case from the date of purchase.

COMPLIES WITH:

- ASME A112.18.1 / CSA B125.1
- Indicates compliance to ICC/ANSI A117.1



▲ Designate proper finish suffix

PSP-K-P6935LF Rev A