



Nan XL

Designed in 2021

shown in Matte White
with 90" Matte Black blades



Designed by Chicago architect Stephen Katz, the Nan XL ceiling fan is a revolutionary take on ceiling fans. Incorporating traditional design with superior performance and functionality to meet the aesthetic needs and challenges of any space, the Nan XL fan feels at home in any setting from casual to commercial and everything in between. This timeless ceiling fan works in residential environments, restaurants, hospitality or even office settings. The Nan XL fan has the perfect amount of design presence for any size room or season. The fully adjustable, six-speed fan motor speeds makes moving the right amount of air simple and easy. The Nan XL fan will feel like a natural part of the room and enhance any space with a fresh breeze. Also available is the standard Nan fan with smaller diameter options: 42", 52" and 60".

Product Features



DC Motor



Damp Location



Silent



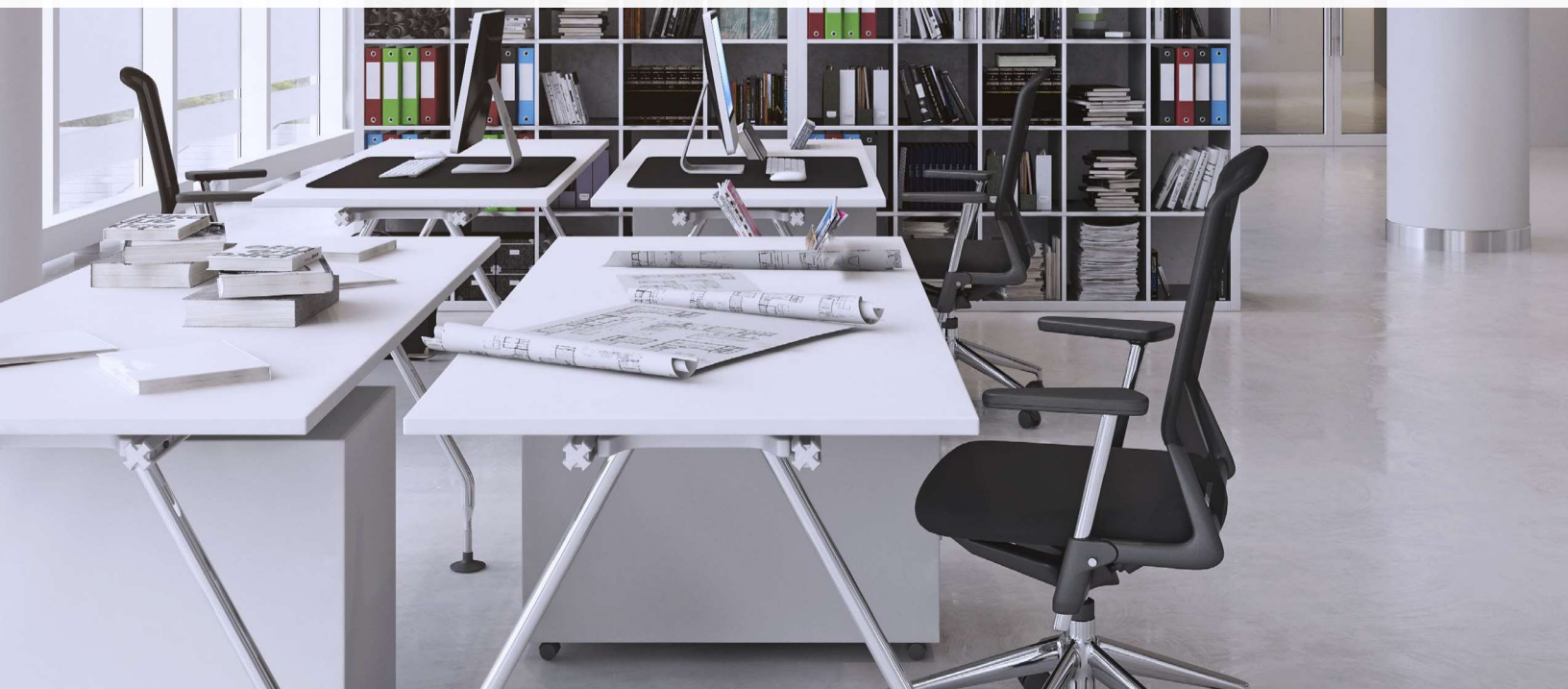
Remote Control



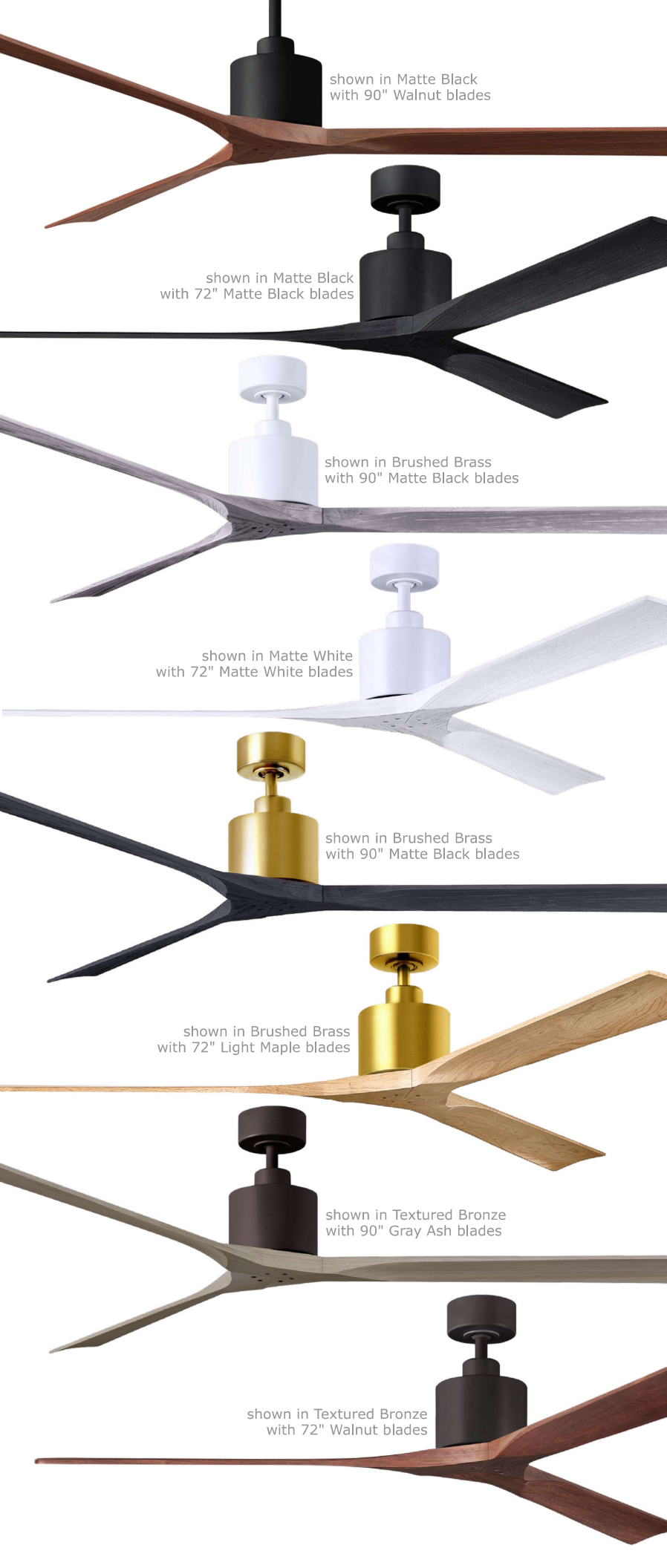
Wall Control



Industrial Fan



NEW



shown in Matte Black with 90" Walnut blades

shown in Matte Black with 72" Matte Black blades

shown in Brushed Brass with 90" Matte Black blades

shown in Matte White with 72" Matte White blades

shown in Brushed Brass with 90" Matte Black blades

shown in Brushed Brass with 72" Light Maple blades

shown in Textured Bronze with 90" Gray Ash blades

shown in Textured Bronze with 72" Walnut blades

NAN XL

FINISH AND BLADE OPTIONS

SKU#	NKXL-XXX-XXX-XX (Model+Finish+Blade+Diameter)	
Standard Finishes	Brushed Brass Black Matte White Textured Bronze	BRBR BK MWH TB
Blade Finish	Barn Wood Gray Ash Light Maple Matte Black Matte White Walnut	BW GA LM BK MWH WA
Fan Diameter	72 inches / 183 cm 90 inches / 229 cm	72 90

TECHNICAL SPECS

Fan Diameter	inches: 72 or 90 centimeters: 183 or 229
Blade Material	CNC Cut Solid Wood
Overall Drop	12 inches / 30 cm + downrod length
Fan Weight	19 lbs
Downrods Lengths <i>Field cuttable. Non-threaded</i>	inches: 5, 10, 20, 30, 48, 72 centimeters: 13, 25, 51, 76, 122, 183
Downrod Diameter	1 inch
Voltage	110 (Contact us for 220 conversion)
Motor Type	DC
Environment	Damp locations for all finishes Neither coastal, saltwater nor chlorine compatible
Ambience	Silent
Safety Certification	ETL / CETL
Warranty	Limited Lifetime

INDUSTRIAL CEILING FAN ESTIMATED EFFICIENCY DATA

Fan Diameter	72 inch / 183 cm	90 inch / 229 cm
RPM (Low/High)	48 / 86	28 / 143
CFM (Low/High)	3727 / 11,302	4257 / 13,687
Watts (High)	36.08	31.59
CFM/Watt (High)	339	456
Blade Pitch	15°	15°

STANDARD EQUIPMENT

One downrod of 10 inches / 25 cm

Vaulted ceiling canopy for up to 30°

Black 6-speed RF remote control with reverse

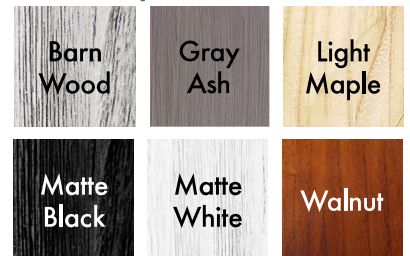


White wireless Decora-style, 6-speed, wall control



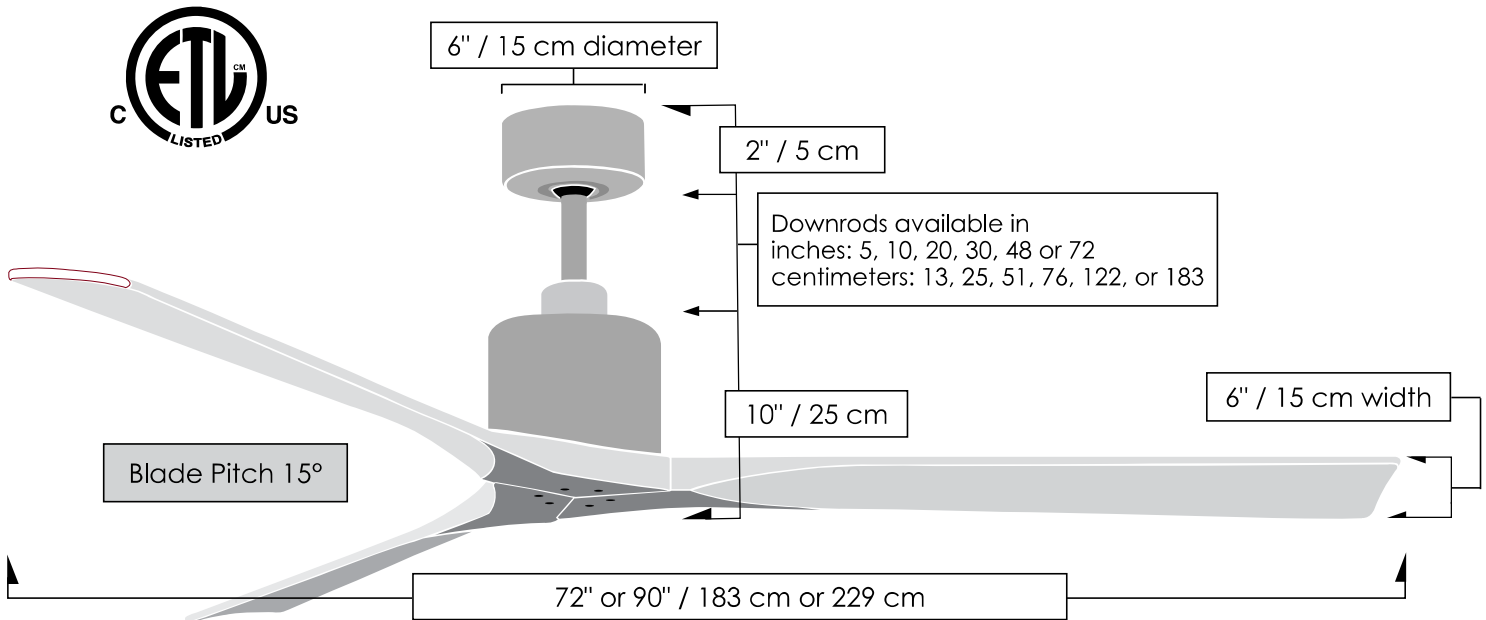
NOTE: Only compatible with included controllers.

Blade Options



Nan XL

TECHNICAL SPECIFICATIONS



CEILING PITCH TABLE	
0/12	0 degrees
1/12	4.76 degrees
2/12	9.46 degrees
3/12	14.04 degrees
4/12	18.43 degrees
5/12	22.62 degrees
6/12	26.57 degrees
7/12	30.26 degrees
8/12	33.69 degrees
9/12	36.87 degrees
10/12	39.81 degrees
11/12	42.51 degrees

CEILING HEIGHT / DOWNROD TABLE	
Ceiling Height	Downrod Lengths <i>Field cuttable. Non-threaded</i>
10 ft or less	5 inches / 13 cm <i>Use safety cages if applicable</i>
10 -12 feet	10 inches / 25 cm
13 feet	20 inches / 51 cm
14 feet	30 inches / 76 cm
15 feet	48 inches / 122 cm
16 feet +	72 inches / 183 cm

Matthews Fan Company

1881 Industrial Drive
 Libertyville, IL 60048
 Tele: 847.680.9043
 Fax: 847.680.8140
 www.matthewsfanco.com

© 2022 Matthews Fan Company. All rights reserved.

