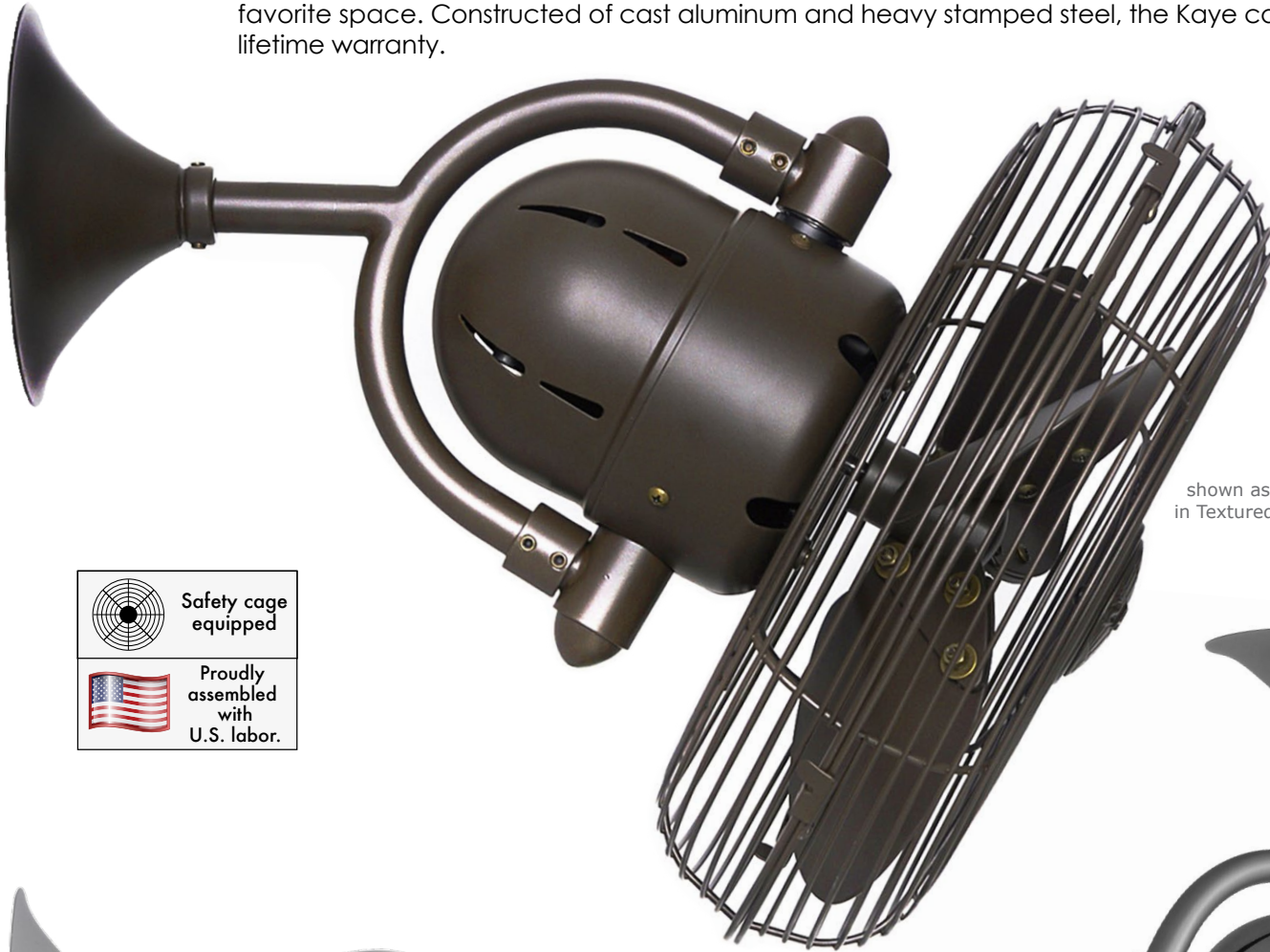




Kaye

Designed in 2012

The beautiful Kaye 3-speed versatile-mount, wall or ceiling fan, oscillates left to right, forward and reverse, in a 90° sweep. Its design is reminiscent of vintage train cabin ventilators of yester-year, and will cool down your favorite space with poise and determination. Kaye's profile is low, however its strength and character define it. Kaye can be mounted in any small or awkward spaces or in front of HVAC ducts to improve the efficiency of the heating, ventilation or air conditioning of your favorite space. Constructed of cast aluminum and heavy stamped steel, the Kaye carries a limited lifetime warranty.



shown as wall fan
in Textured Bronze

	Safety cage equipped
	Proudly assembled with U.S. labor.



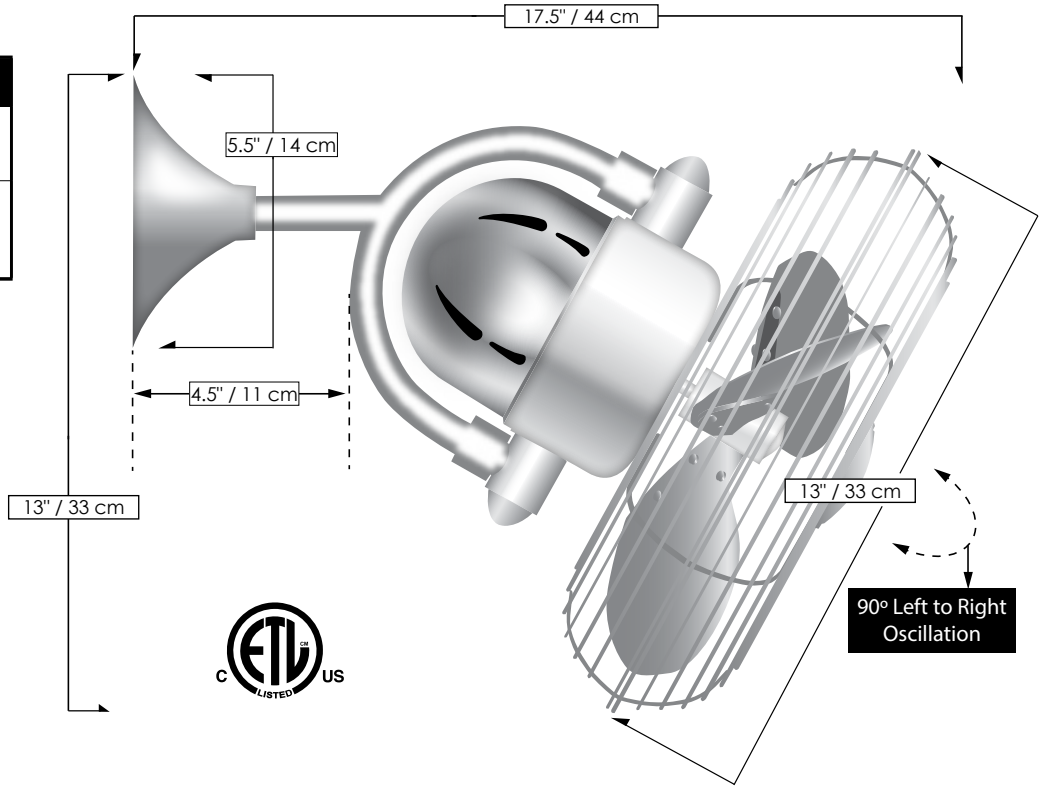
shown as wall fan
in Polished Chrome



shown as ceiling
fan in Brushed Nickel

SKU NAMING CONVENTION

SKU#	KC-XX (Model+Finish)
Finishes	Brushed Nickel - BN Polished Chrome - CR Textured Bronze - TB





FAN SPECIFICATIONS

Fan Weight	10.5 lbs
Voltage	110 or 220
Motor Type	AC
Fan Diameter	13 inches / 33 cm
Fan Height	13 inches / 33 cm
Fan Projection	17.5 inches / 44 cm
Ceiling Mount Overall Drop	17.5 inches / 44 cm
Recommended Mounting Height	Approximately 24 inches / 61 cm from ceiling
Fan Guard	Safety cage
Blade Pitch	31°
Environment	Damp locations for all finishes Neither coastal, saltwater nor chlorine compatible
Ambience	Soothing white noise
Safety Certification	ETL / CETL
Warranty	Limited Lifetime

NEW JAN 21, 2020 DOE MOTOR EFFICIENCY DATA

RPM (Low / High)	1213 / 1445
CFM (Low / High)	868 / 1303
Watts (High)	47.68
CFM/Watt (High)	27.32

STANDARD EQUIPMENT

Safety cage	
Side-mounted wall junction box	
Decora-style, 3-speed wall control in white	ACCESSORY 3-speed RF remote control in black
	
<p>Note: The remote control receiver will not fit behind the wall canopy. A clever electrician will need to hide the receiver in wall or ceiling according to code.</p>	



Matthews Fan Company

1881 Industrial Drive

Libertyville, IL 60048

Tele: 847.680.9043

Fax: 847.680.8140

www.matthewsfanco.com

© 2019 Matthews Fan Company. All rights reserved.