



shown in Gloss White
with Gray Ash blades

shown in Gloss White
with Gloss White blades

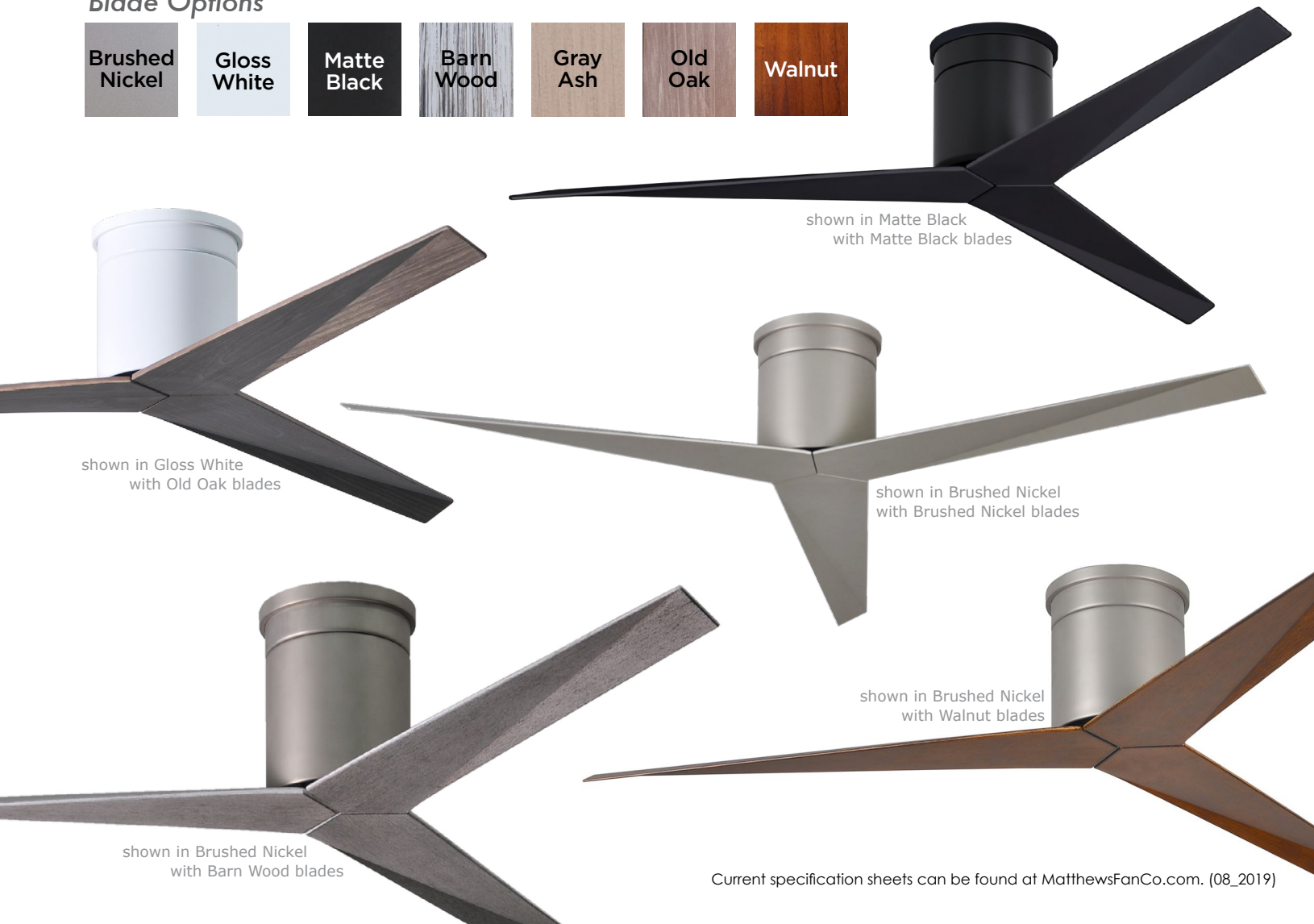


Eliza-H *Geometry in Motion*

Designed in 2014

Designed by Chicago architect Stephen Katz in 2014, the Eliza-H ceiling-mount fan blends a beautiful technically derived form with superior function and movement. The unique blade shape is designed to maximize air movement at the outer edge of the blade. The result is more efficient air velocity rings, less blade drag and greater motor optimization. Equally important is Eliza-H's stationary visual statement which combines modern utility with minimalist geometry. Constructed of cast aluminum and heavy stamped steel, the Eliza-H has a limited lifetime warranty.

Blade Options



shown in Matte Black
with Matte Black blades

shown in Gloss White
with Old Oak blades

shown in Brushed Nickel
with Brushed Nickel blades

shown in Brushed Nickel
with Walnut blades

shown in Brushed Nickel
with Barn Wood blades

SKU NAMING CONVENTION

SKU#	EKH-XX-XXX (Model+Finish+Blade Finish)
Finishes	Brushed Nickel - BN Gloss White - WH Matte Black - BK
Blade Finishes	Barn Wood - BW Brushed Nickel - BN Gloss White - WH Gray Ash - GA Matte Black - BK Old Oak - OO Walnut - WN

STANDARD EQUIPMENT

6-speed RF remote control with reverse function in black



Wireless Decora-style, 6-speed, wall control in white



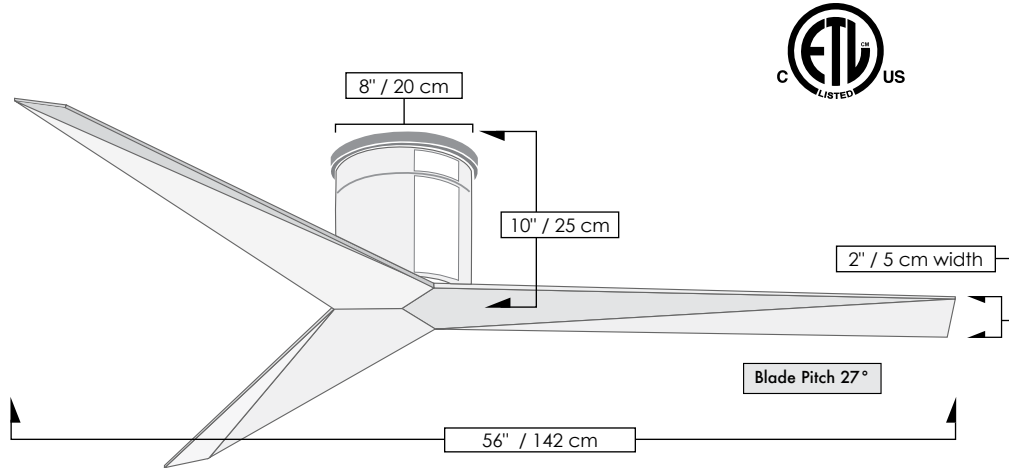
WARNING:
Only compatible with included controllers.

CEILING PITCH TABLE

0/12	0 degrees
1/12	4.76 degrees
2/12	9.46 degrees
3/12	14.04 degrees
4/12	18.43 degrees
5/12	22.62 degrees
6/12	26.57 degrees
7/12	30.26 degrees
8/12	33.69 degrees
9/12	36.87 degrees
10/12	39.81 degrees
11/12	42.51 degrees

CEILING HEIGHT TABLE

Suitable for ceiling heights 7'10" or greater



FAN SPECIFICATIONS

Fan Diameter	56 inches / 142 cm
Overall Drop	10 inches / 25 cm
Fan Weight	14 lbs
Voltage	110 or 220
Motor Type	DC
Environments	Damp locations for all finishes Neither coastal, saltwater nor chlorine compatible
Ambience	Silent
Safety Certification	ETL / CETL
Warranty	Limited Lifetime
NEW JAN 21, 2020 DOE MOTOR EFFICIENCY DATA	
RPM (Low / High)	52 / 175
CFM (Low / High)	1123 / 4034
Watts (High)	33.49
CFM/Watt (High)	120.44
Blade Pitch	27°

Matthews Fan Company

1881 Industrial Drive
Libertyville, IL 60048
Tele: 847.680.9043
Fax: 847.680.8140
www.matthewsfanco.com

© 2019 Matthews Fan Company. All rights reserved.

