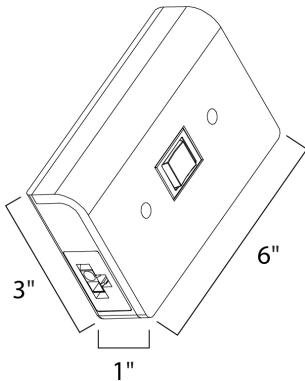




**PRODUCT DESCRIPTION**

The versatile CounterMax® MX-LD-AC LED disc features two piece aluminum construction that allows for both surface mounting and are designed for daisy chain installation of up to nine discs on one driver with direct-wire installation. Fully dimmable with ELV and Triac dimmers. This combination of versatility, safety, energy efficiency and dimmability make the MX-LD-AC LED discs the smart choice for disc lighting.



**MEASUREMENTS**

DIMENSION : 4." L x 2.5" W x 1." H  
 HANGING WEIGHT : 0.26 lb

**LAMPING**

LUMENS : 0 Rated (0 Del.)  
 BULB : W 0W Total

**FINISHES OPTION**

Black BK



**RATINGS**

cETLuN/A Location

**ADDITIONAL**

INSTALL UP/DOWN:  
 OPERATING TEMPERATURE:  
 -20°C (-4°F), 40°C (104°F)

Always consult a qualified electrician before installing any lighting product.



**WESTERN DISTRIBUTION CENTER (HEADQUARTER)**  
 253 NORTH VINELAND AVE | CITY OF INDUSTRY, CA 91746

**EASTERN DISTRIBUTION CENTER**  
 4200 SHIRLEY DR. | ATLANTA, GA 30336

P. 626.956.4200 | F. 626.956.4225 | maximlighting.com