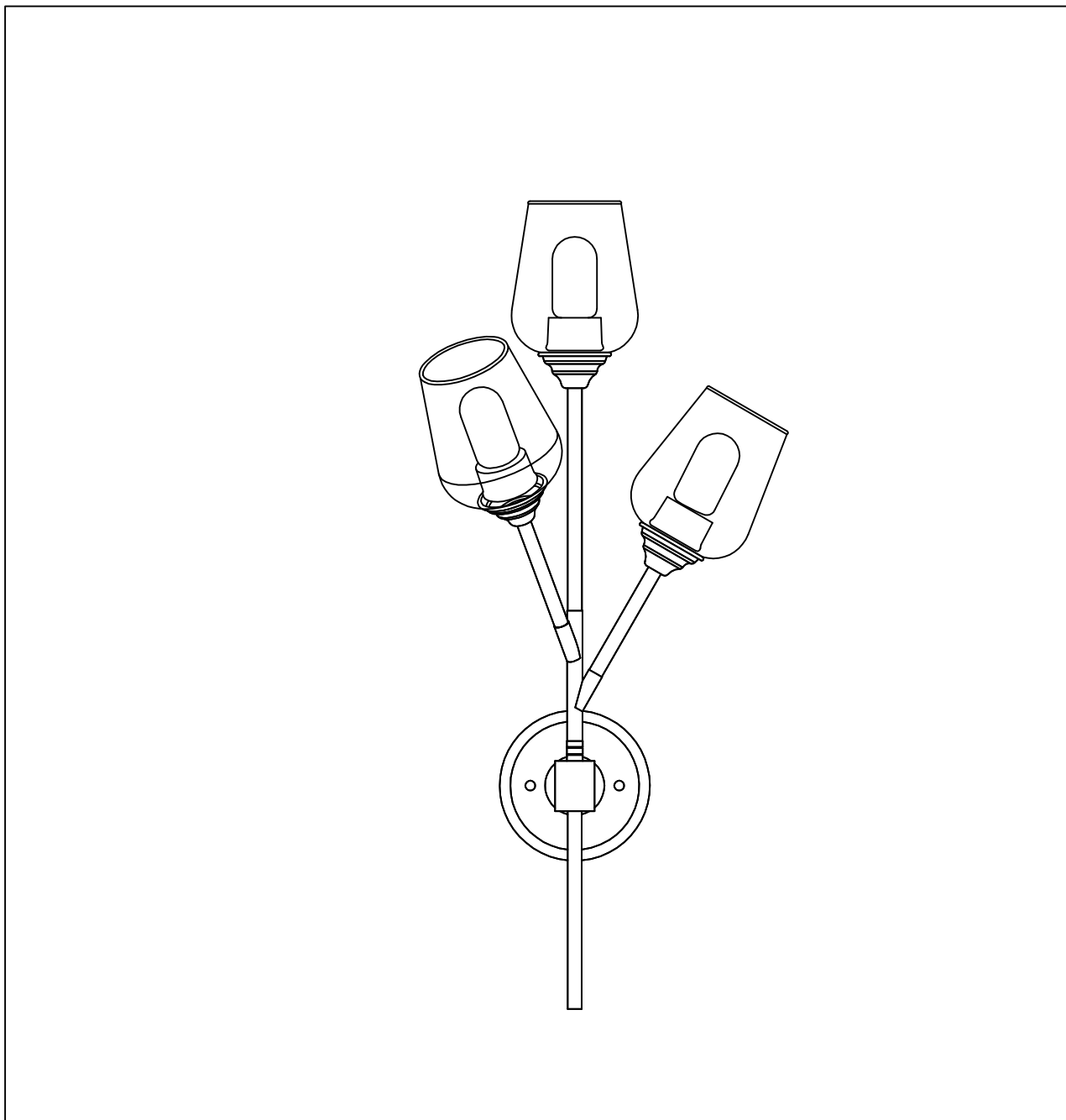




PRODUCT NAME: Savvy 3LT Wall Sconce
NUMBER: 26341CLABBK

Please consult your electrician for Hang fixture and wiring.



Bulb(included) : 3*MB 60W

MADE IN CHINA

Page 1 of (3)

IMPORTANT: Turn off power at the main fuse or circuit breaker box before starting installation



(A) Bracket



(B) Ball nut



(C) Body

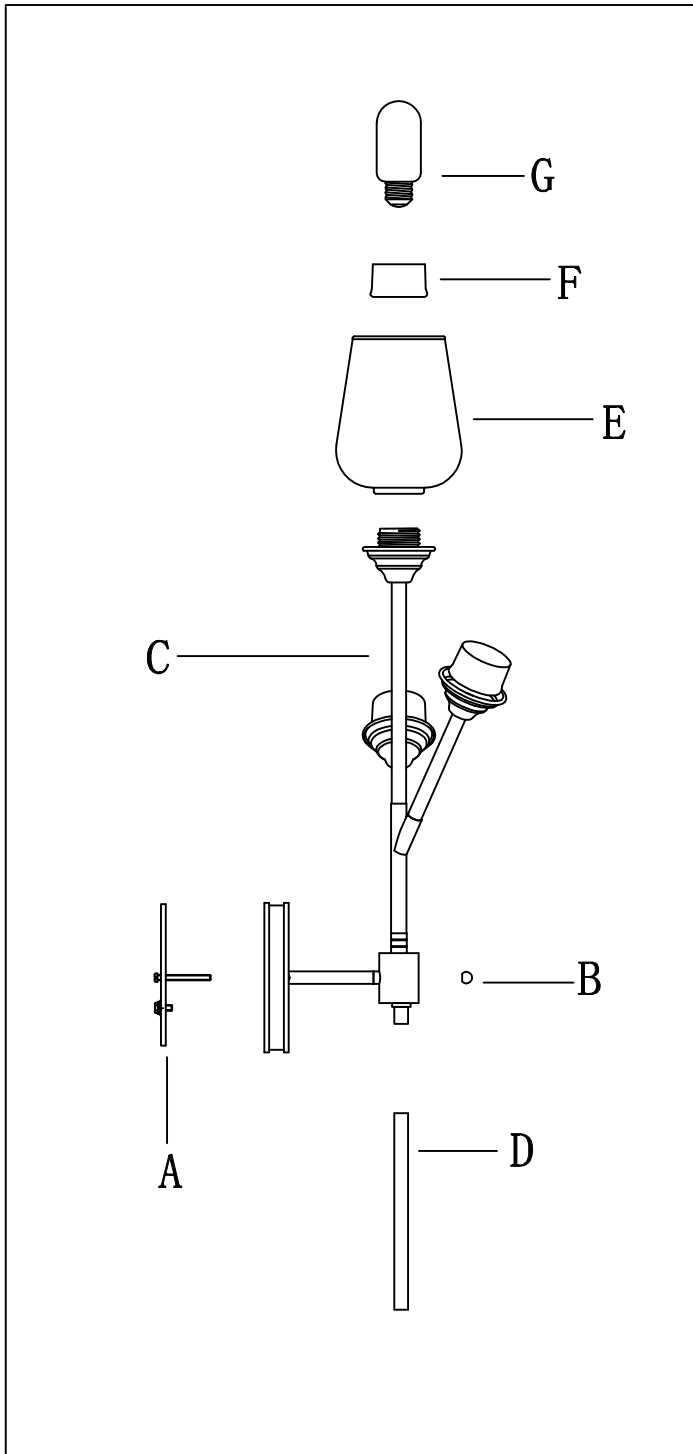


(D) Finial

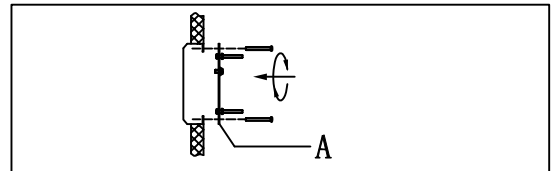


(E) Glass

Locate all hardware & components before discarding packaging

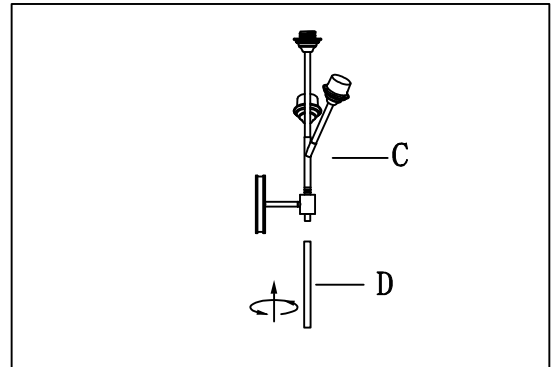


1.)



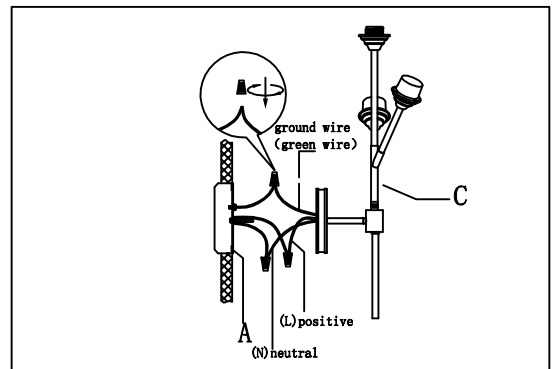
Step. 1: Remove mounting bracket (A) from fixture and install to electrical box.

2.)



Step. 2: Screw Stem (D) on body (C) .

3.)

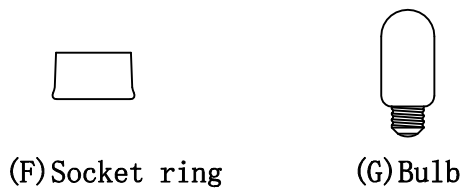


Step. 3: Wire fixture to wires in outlet box. Copper/Green wire is for Ground.

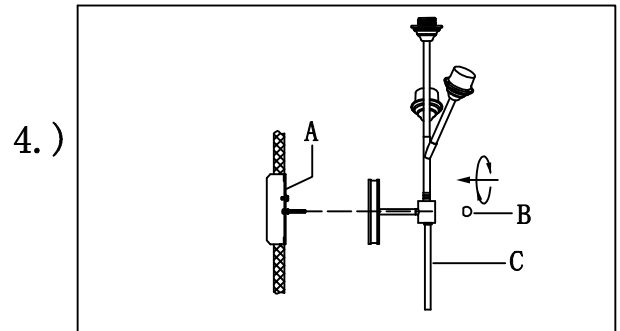
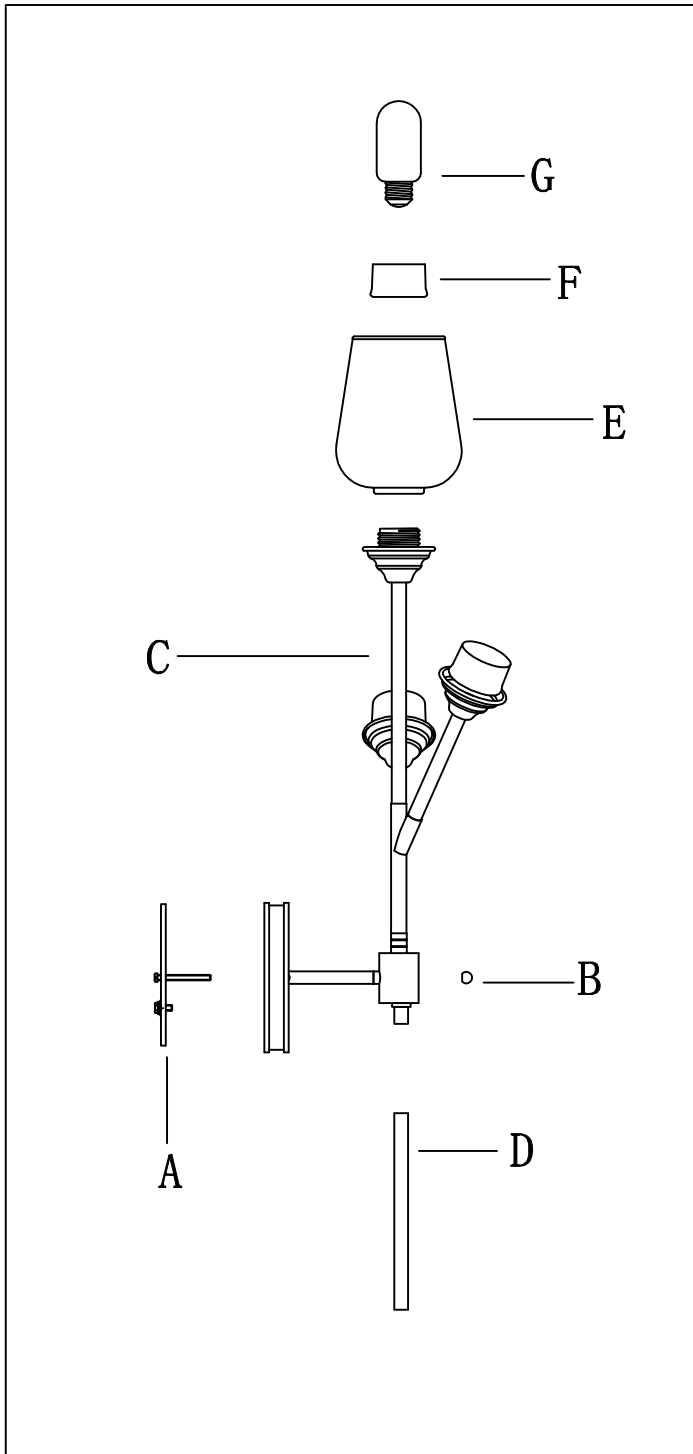
Cleaning & Care:

Clean with soft cloth and a mild detergent.
Do not use abrasive cleaner.

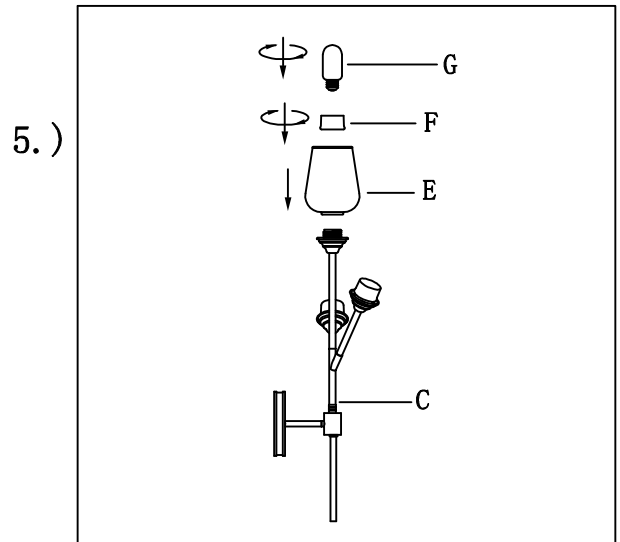
IMPORTANT: Turn off power at the main fuse or circuit breaker box before starting installation



Locate all hardware & components before discarding packaging



Step 4: Install fixture to bracket (A) and tighten ball nuts (B) on the back plate to secure.



Step 5: Use socket ring (F) to secure the glass (E), then install the bulb (G).

Cleaning & Care:

Clean with soft cloth and a mild detergent.
Do not use abrasive cleaner.