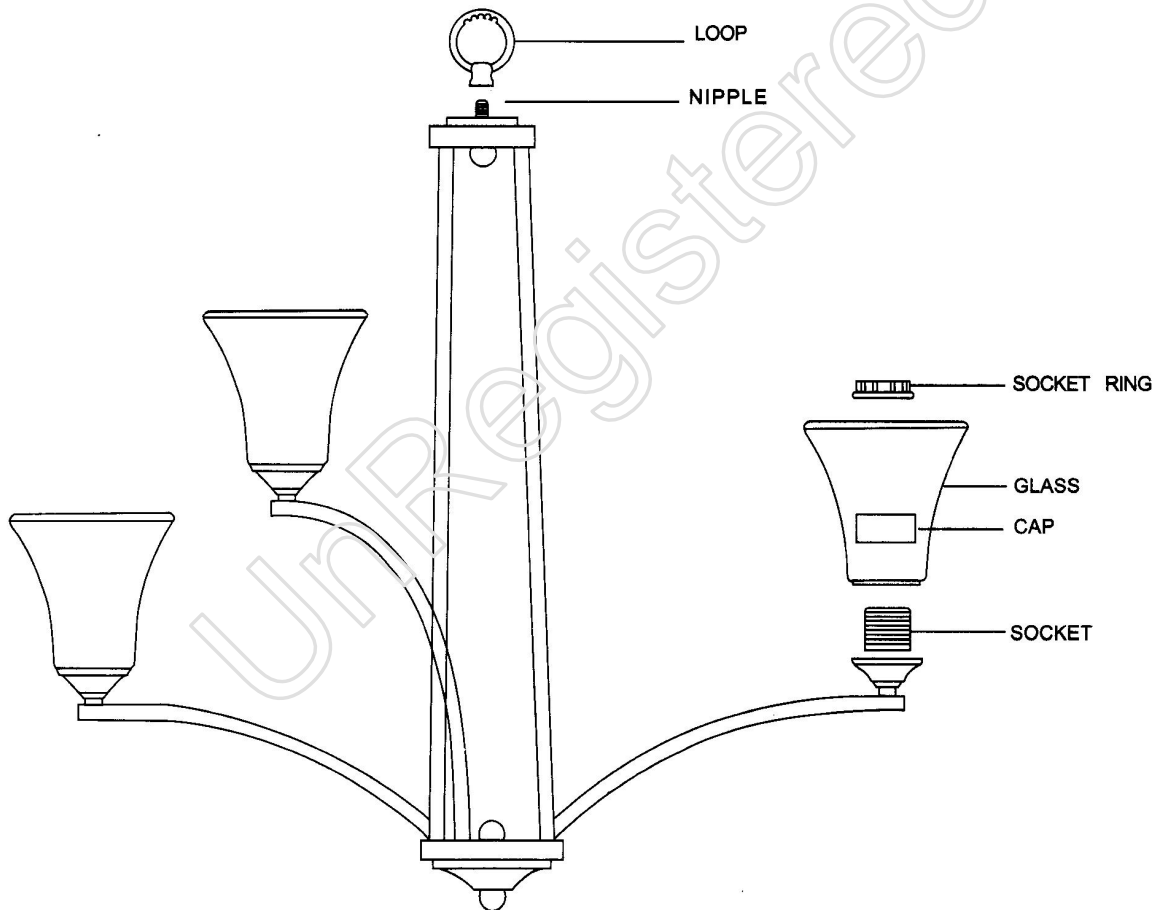
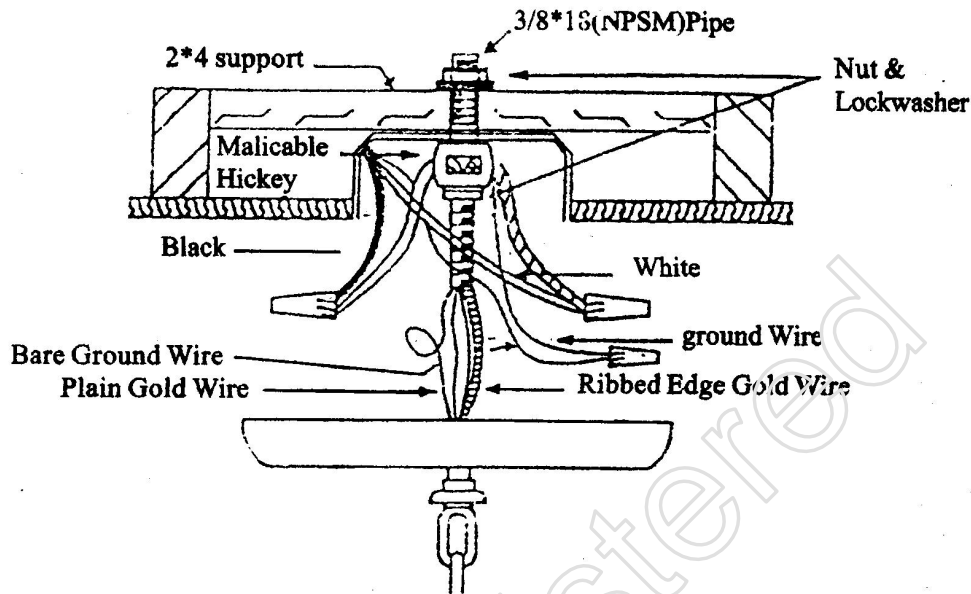


1. Thread the loop onto the nipple.
2. Attach the glass and cap onto the socket then secure by socket ring.





Connect wires As Shown only

1. Consult a qualified electrician for installation
2. Do not support fixture by means of outlet box only. Install as shown in illustration above
3. Attach a standard 3/8*18(NPSM) pipe through outlet box through support (2*4) and secure with flat washer
4. Thread hickey onto 3/8 inch pipe and tighten. Screw smaller threaded stud into hickey
5. Feed wires through hook, canopy, threaded stud and out through hickey.
6. Unscrew nut on hook and slide down over chain. Also slide canopy down over chain
7. Screw hook into threaded stud.
8. Connect wires black to plain gold, white to ribbed gold, ground to ground
9. Carefully push all wires into outlet box
Push canopy up to ceiling and secure with threaded nut on hook

Assembly Instruction for the fixture with safety cable

NOTE: Fixtures weighing over 25 lbs, must be supported independently of the outlet box.

- 1) Turn off power.
- 2) Supply wires shall enter the outlet box through any knockout except the top center knockout
- 3) Fixture is to be mounted by a steel pipe approximately 3/17 of 3/8-18NPSN threads at bottom (Not Supplied) Position pipe so that approximately 1/2" of thread protrudes into outlet box. Attach pipe to a structural bridging member of sufficient strength to support at least 4 times the fixture weight.
- 4) Thread pipe coupling onto protruding inside outlet box.
- 5) Thread hex nut onto threaded pipe. Screw threaded pipe into pipe coupling. Secure in place by tightening hex nut against pipe coupling and tightening allen head screw.
- 6) Thread boxout Slip on ground wire and thread a second hex nut onto threaded pipe.
- 7) Connect screw collar loop (without threaded ring) to threaded pipe.
- 8) Pass canopy over screw collar loop. Approximately one-half of the screw collar loop exterior thread should be exposed. Adjust loop as required. Remove canopy and tighten hex nut against screw collar loop. Tighten second hex nut against first to hold ground wire in place.
- 9) Attach chain to fixture (not shown)
- 10) Slip threaded ring then canopy onto chain
- 11) Attach chain (with fixture connected) to bottom of screw collar loop.
- 12) Weave silver support cable up chain and exit through top hole in side of pipe coupling. Slip cable through top existing opening or drill 3/16" dia. Hole near center of outlet box. Wrap cable around structural member described in step #3. Cable must be pulled taut to evenly distribute fixture weight between cable and chain. Secure cable with (2) clamps provided.
- 13) Weave both fixture wires and copper ground wire up chain and exit through top hole inside of pipe coupling.
- 14) Connect fixture ground wire and ground wire attached to threaded pipe to outlet box ground wire with wire connector (not provided). Never connect ground wire to black or power supply wires. Make wire connections (connectors not provided) Reference chart below for correct connections and wire accordingly.

Connect Black or Red Supply Wire to:	Connect Black or White Supply Wire to:
Black	White
*Parallel cord (round & smooth)	*Parallel cord (square & ridged)
Clear, Brown, Gold or Black without tracer	Clear, Brown, Gold or Black without tracer
Insulated wire (other than green) with copper conductor	Insulated wire (other than green) with silver conductor

Notes: When parallel wires (SPT1 & SPTUI) are used. The Neutral wire is square shaped or ridged and the other wire will be round in shape or smooth (see us)

Warning
 Consult a qualifie
 Electrician for
 installation

