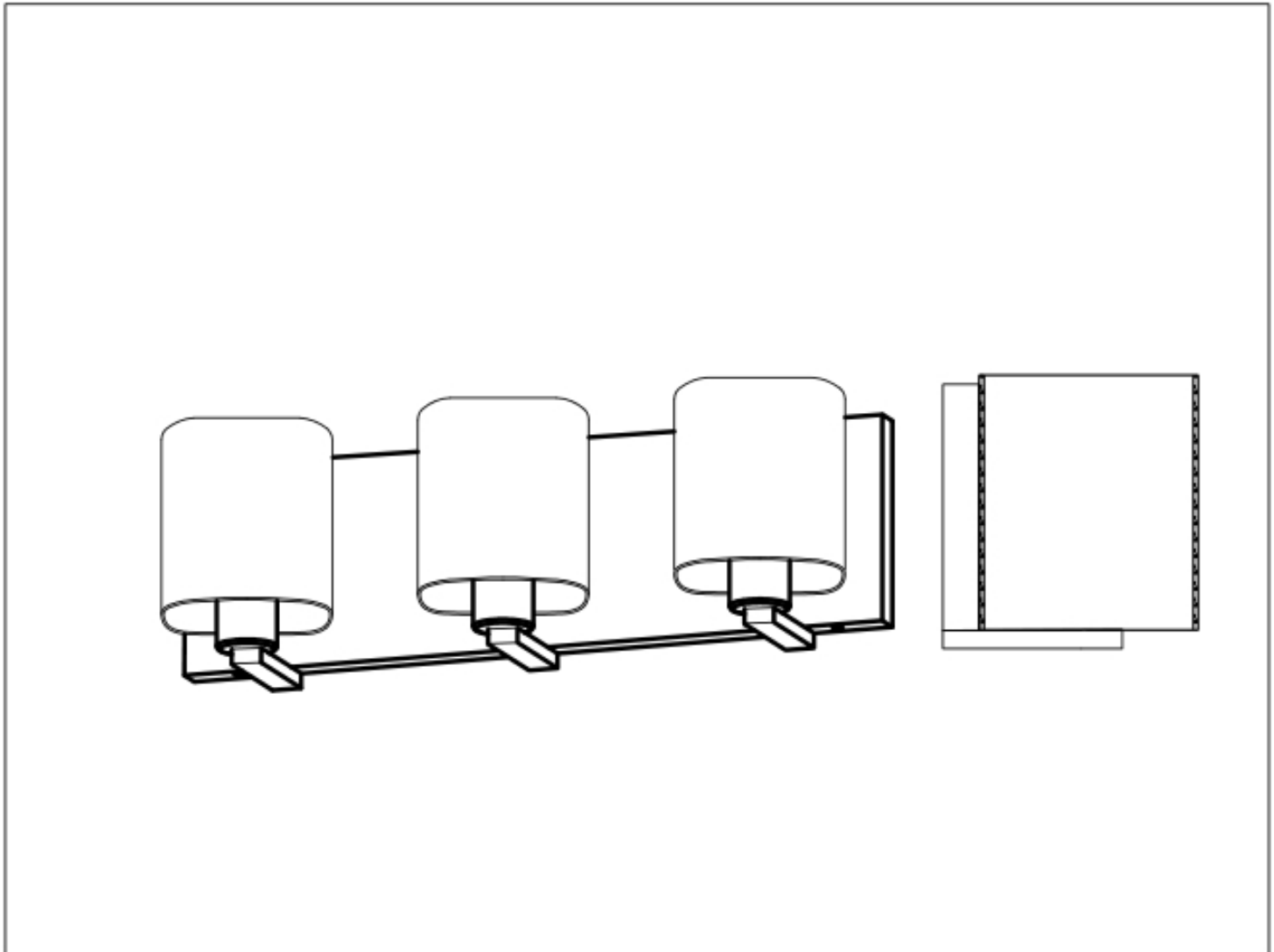




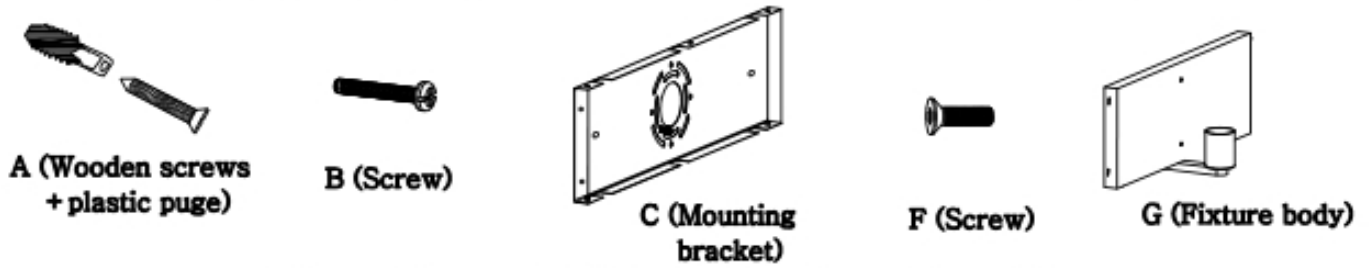
PRODUCT NAME: WRAP 3LT Wall Sconce
ITEM NUMBER:11253SWSN/11253SWPC

Please consult your electrician for hanging fixture and wiring.

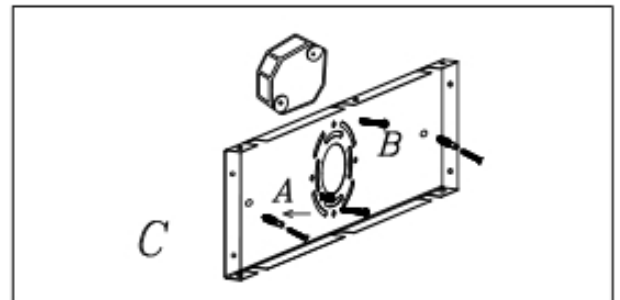
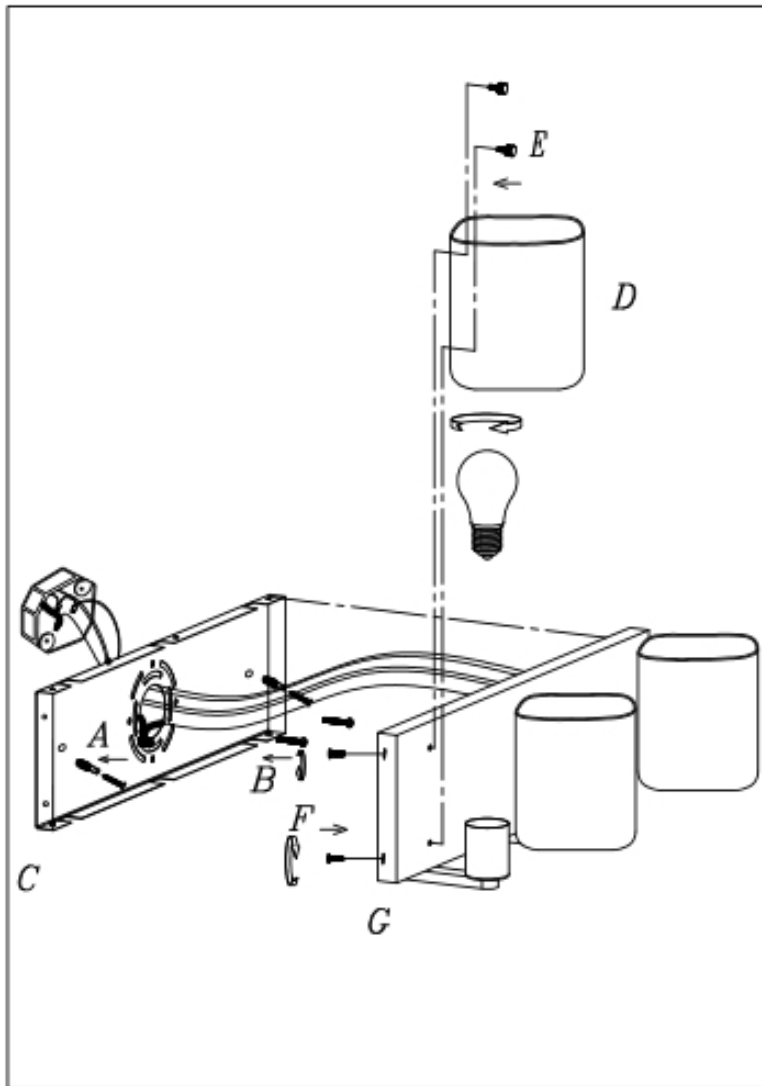


Bulb(not included): 3*MB 60W

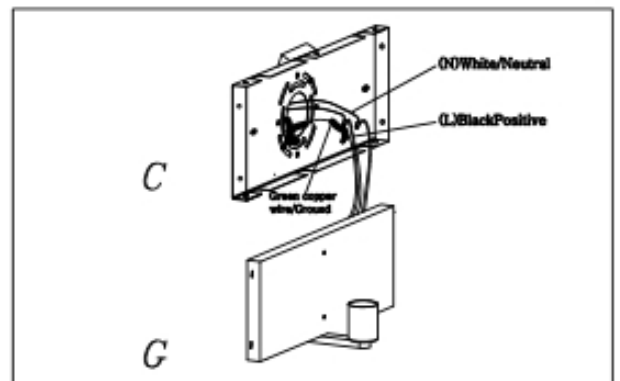
IMPORTANT: Turn off the power at the main fuse or circuit breaker box before starting installation



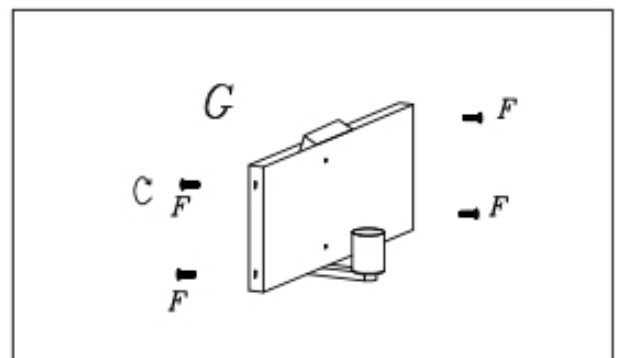
Locate all hardware & components before discarding packaging



Step.1:Fasten the mounting bracket(C)onto the outlet box using two outlet box screws.



Step.2:Wire fixture to wires in outlet box.Freen copper wire is for ground.And carefully position all wires inside the outlet box.



Step.3:Place the fixture body(G)against mounting bracket,Align the two holes of the mounting bracket and fixture body,then tighten the screws(f).

Cleaning & Care:

Clean with soft cloth and a mild detergent.
Do not use abrasive cleaner.

