

WS16705

Specification Sheet

Wall Sconce



BK - Black

PROJECT					
DATE		TYPE			
Voltage	Watt	LED Lumens	Delivered Lumens	Finish(es)	Color Temp
120V	7W*	600lm*	380lm*	BB - Brushed Brass	3000K
120V	7W*	600lm*	380lm*	BK - Black	CRI(Ra) >90
120V	7W*	600lm*	380lm*	CH - Chrome	Dimming 100%-10%
					Rated Life 50,000 hours

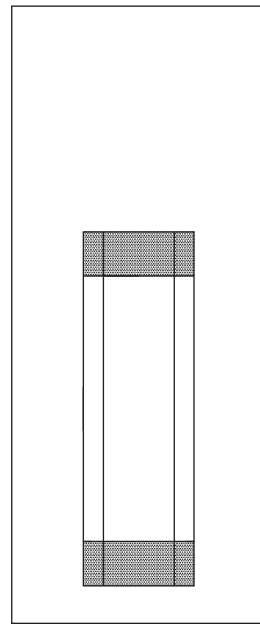
*Preliminary figures



CH - Chrome



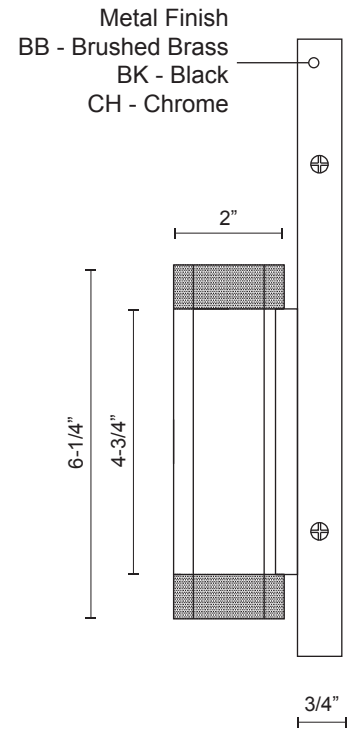
BB - Brushed Brass



4-1/2"



3"



Product Descriptions

Extruded aluminum quatrefoil lamps on rectangular wall mount. Finely textured powder-coat or plated finish. Opal diffuser caps.

Product Details

High system efficacy. Low total life cycle cost. ETL Listed.

5-years warranty.

Complete warranty terms located at:

www.kuzcolighting.com/warranty

Utilizes our LED Driver Light Engine.

LED Driver within canopy.

Up and down light distribution

Dimmable with ELV or TRIAC dimmer (not included)

Custom options available.

Canopy dimensions:
W4-1/2" x H11" x E3/4"

Comments: