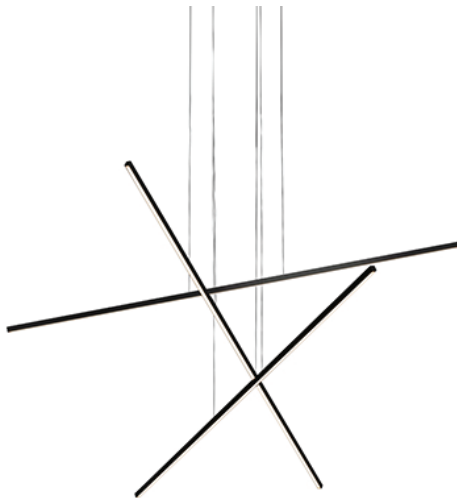


# MP18203

Specification Sheet

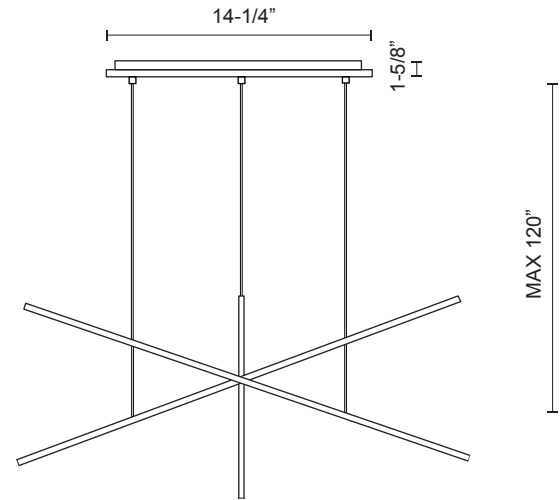
## Multi Pendant



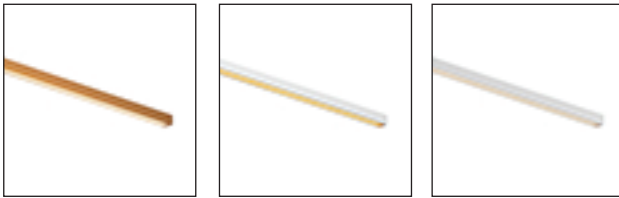
BK - Black

| PROJECT |      |            |                  |                     |  |            |              |
|---------|------|------------|------------------|---------------------|--|------------|--------------|
| DATE    |      |            |                  |                     |  | TYPE       |              |
| Voltage | Watt | LED Lumens | Delivered Lumens | Finish(es)          |  | Color Temp | 3000K        |
| 120V    | 79W  | 6804lm*    | 2030lm*          | BK - Black          |  | CRI(Ra)    | >90          |
| 120V    | 79W  | 6804lm*    | 2610lm*          | BN - Brushed Nickel |  | Dimming    | 100%-10%     |
| 120V    | 79W  | 6804lm*    | 2270lm*          | GD - Gold           |  | Rated Life | 50,000 hours |
| 120V    | 79W  | 6804lm*    | 3120lm*          | WH - White          |  |            |              |

\*Preliminary figures



MAX 120"



GD - Gold

WH - White

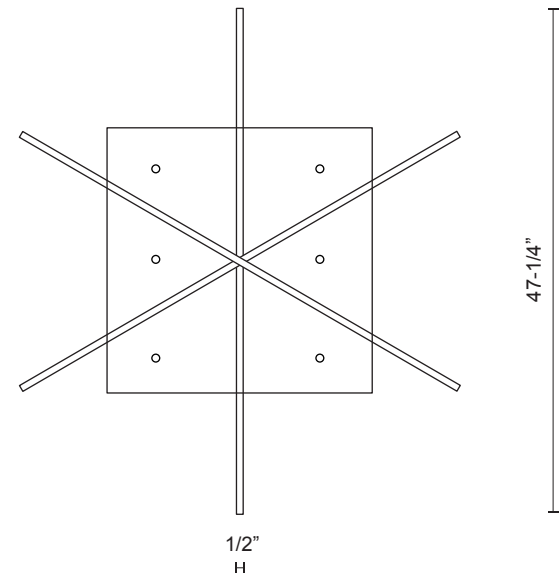
BN - Brushed Nickel

### Product Descriptions

Square profile linear aluminum with thin cables.  
Inset opal polymeric diffuser.  
Finely textured plate or powder-coat finish.

### Product Details

High system efficacy. Low total life cycle cost. ETL Listed.  
5-years warranty.  
Complete warranty terms located at: [www.kuzcolighting.com/warranty](http://www.kuzcolighting.com/warranty)  
Utilizes our LED Driver Light Engine.  
LED Driver within canopy.  
Down light distribution.  
Max. cable length of 120".  
Dimmable with ELV or TRIAC dimmer (not included)  
Custom options available.



47-1/4"

1/2"  
H

Comments:

Canopy dimensions:  
L: 14-1/4"; W: 14-1/4"; H: 1-5/8"