

EP68428

Specification Sheet

Exterior Pendant



BK - Black

Other Finishes:



GH - Graphite

Product Descriptions

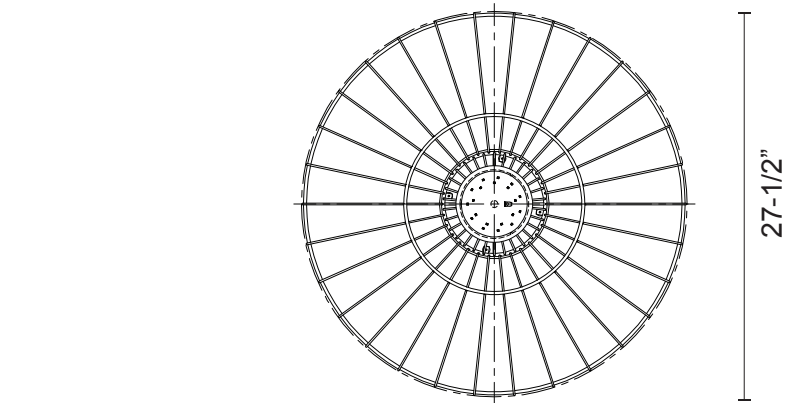
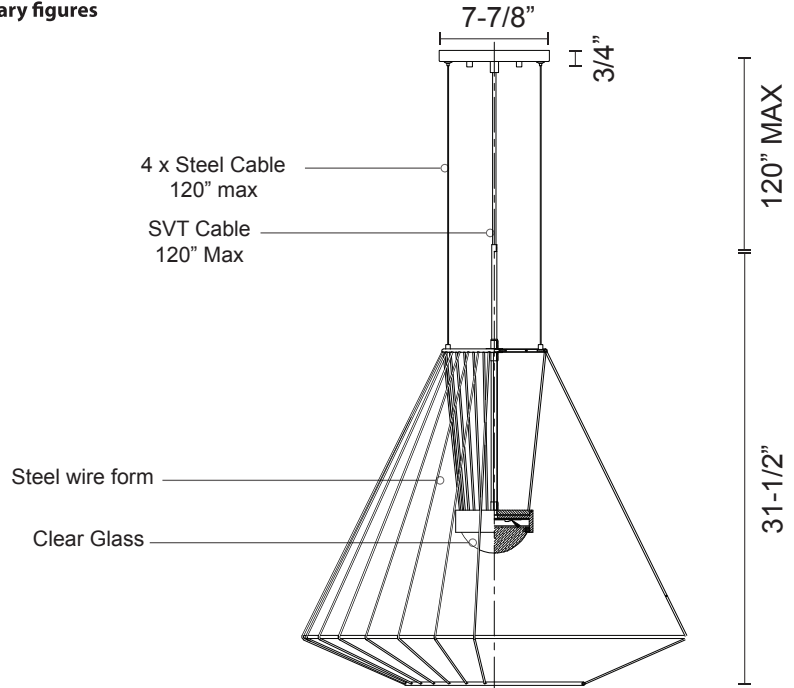
the Arctic collection uses basic wire rod as structure and aesthetic form. The seemingly continuous lines interconnect, creating a complex framework that encapsulates and emphasizes the light source. A substantial glass optic is the focal point of the lamp, augmented by the concentric rings of the lightweight latticework design.

Product Details

- High system efficacy
- Low total life cycle cost
- No visible flicker AC operation
- ETL Listed
- 5-year LED warranty and 1-year fixture warranty. Complete warranty terms located at: www.kuzcolighting.com/warranty
- Utilizes our patented Driverless LED Light Engine technology - connects directly to AC, no external driver needed.
- Available in black and gold metal finish with a clear glass. Max 120" hanging height.
- Downlight and wet rated.
- Comes with interior wiring
- Dimmable with ELV dimmer (not included)
- Custom options available

PROJECT		V 1.0				
DATE		TYPE				
Voltage	Watt	LED Lumens	Delivered Lumens	Finish(es)		
120V	29W*	2500lm*	514lm*	BK - Black	Color Temp 3000K	
120V	29W*	2500lm*	TBD*	GD - Gold	CRI (Ra) >90	
					Dimming 100% - 10%	
					Rated Life 50,000 hours	

*Preliminary figures



Fixture Weight:

Canopy dimensions:
Dia: 7-7/8" H: 3/4"

Comments: