

# KWT311-25

## 25 Inch Top Mount Workstation Single Bowl Stainless Steel Kitchen Sink

# Kräus<sup>®</sup>

### SPECIFICATION SHEET

#### Sink Dimensions

Overall Dimensions: 25" x 22"

Bowl Dimensions: 23" x 16"

Sink Depth: 9"

#### Features

- 16 Gauge
- 3.5mm Thick Deck
- Zero Radius Vertical Corners
- 1/4" Radius Corners in the Bowl for Ease of Cleaning
- Pre-drilled Soap Dispenser Hole with Provided Cover
- Top Mount Installation
- Single Bowl Sink
- Required Minimum Cabinet Size: 27"
- Rear Off-Set Drain
- 3 1/2" Drain Opening
- NoiseDefend Undercoating and Sound Dampening Pads

#### Accessories Included

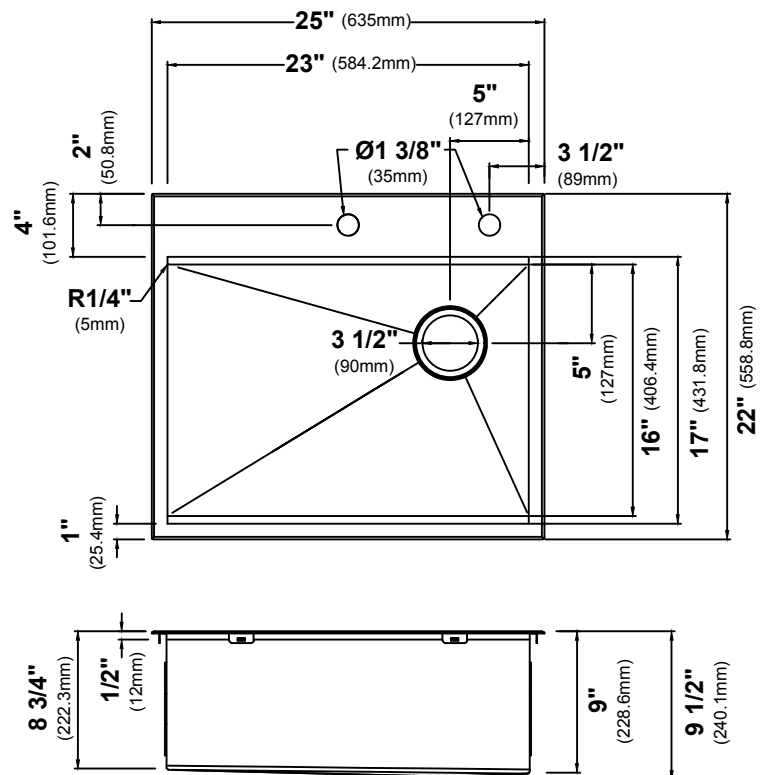
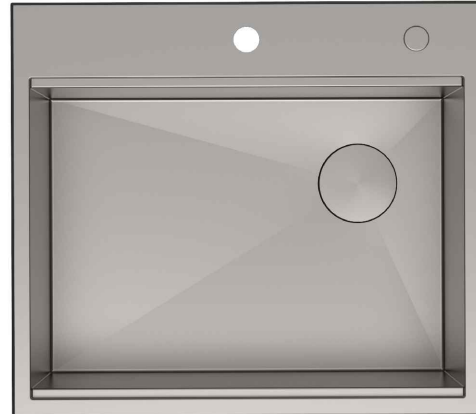
- Strainer ST-1
- Cover Cap STC-2
- Bottom Grid KBG-UN1-25
- Cutting Board KCB-WS102BB
- Rolling Mat KRM-11BL
- Cut-Out Template
- Mounting Hardware

#### CODES/STANDARDS:

#### Product Certification

cUPC (ASME A112.19.3/CSA B45.4)

**NOTE:** Maximum countertop thickness for Top Mount installation is 1 1/2".



#### Warranty

Kraus Limited Lifetime Warranty

see website for details [www.kraususa.com](http://www.kraususa.com)

Kraus USA Customer Service

1.800.775.0703 | [customerservice@kraususa.com](mailto:customerservice@kraususa.com)

REV. January 15, 2019