

Features

- 72"L x 36"W x 20"H
- A favorite designed for quick and easy installation
- Drop-in installation
- Constructed of acrylic
- Designed for one-person bathing
- Textured bottom surface

Additional Hydrotherapy Options

- Soaking Bath - 1259-0
- Soaking Bath + Bask heated surface - 1259-W1
- BubbleMassage air bath - 1257-G
- BubbleMassage air bath + Bask heated surface - 1257-GW
- VibrAcoustic - 1257-VB
- VibrAcoustic + Bask heated surface - 1257-VBW
- Whirlpool - 1257-0
- Whirlpool + heater - 1257-H
- Whirlpool + Bask heated surface - 1257-W1

Recommended Products/Accessories

- K-1283 Removable Apron
- K-1491 Bath/Whirlpool Pillow
- K-7166-AF Bath Drain
- K-24916 Wireless Music Kit
- K-1601 Bath/Whirlpool Footstop
- K-7214 27" Cable Bath Drain
- K-7259 Clearflo Bath Drain



Codes/Standards






CSA B45.5/IAPMO Z124
ASTM E162
ASTM E662

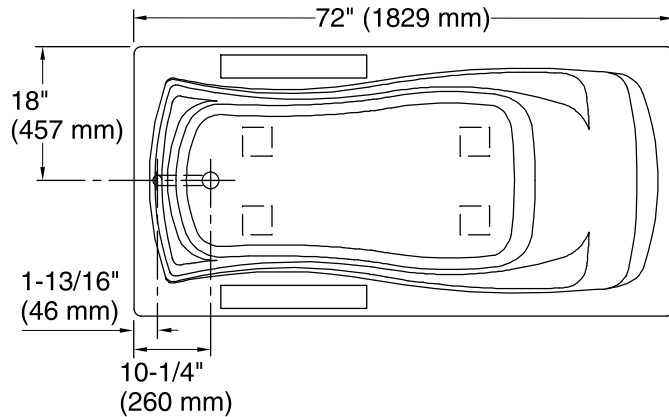
KOHLER® Plastic Baths and Receptors Lifetime Limited Warranty

See website for detailed warranty information.

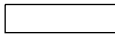
Available Colors/Finishes

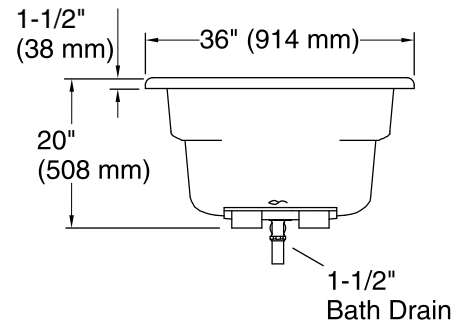
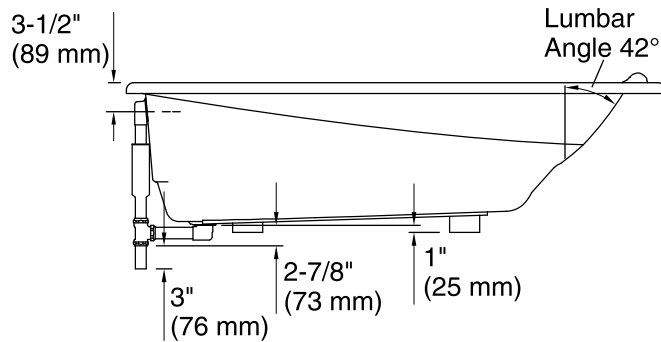
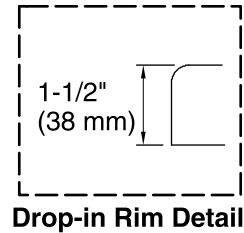
Color tiles intended for reference only.

Color	Code	Description
	0	White
	96	Biscuit
	47	Almond
	NY	Dune
	G9	Sandbar



No change in measurements if connected with drain illustrated. (K-7166-AF)

 Recommended Faucet Location



Technical Information

All product dimensions are nominal.

Installation:	Drop-in
Drain location:	End
Basin area, bottom:	50" x 24" (1270 mm x 610 mm)
Basin area, top:	65" x 27" (1651 mm x 686 mm)
Weight:	77 lbs (34.9 kg)
Minimum floor load:	39 lbs/ft ² (190.4 kg/m ²)
Water depth:	14" (356 mm)
Water capacity:	72 gal (272.5 L)
Cutout:	Drop-in, 70" x 34" (1778 mm x 864 mm)
Minimum flat for door:	2-1/8" (54 mm)

Notes

Measure your actual product for rough-in details. Install this product according to the installation instructions.

The hot water supply should be 70% of the capacity of the bath or greater. Installations will vary.

If installing a rim-mount faucet, make sure there is no interference above or below the deck before drilling any holes.