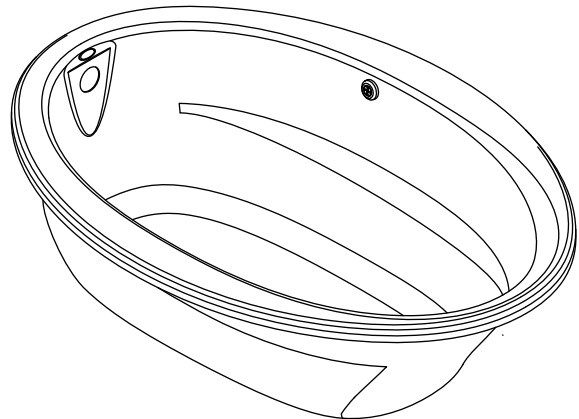


Features

- Acrylic
- Bask™ heated lumbar support with three temperature settings
- Molded lumbar support and armrests for comfort
- Textured bottom surface
- Drop-in or under-mount installation
- Reversible drain
- 72" (1829 mm) x 42" (1067 mm) x 21" (533 mm)

6' DROP-IN BATH WITH BASK™ HEATED SURFACE K-1165-W1



Codes/Standards Applicable

Specified model meets or exceeds the following:

- CSA B45.5/IAPMO Z124
- ASTM E162
- ASTM E662
- UL 1795

Colors/Finishes

- 0: White
- Other: Refer to Price Book for additional colors/finishes

Accessories

- 0: White
- CP: Polished Chrome
- PB: Vibrant® Polished Brass
- NA: None applicable
- Other: Refer to Price Book for additional colors/finishes

Specified Model

Model	Description	Colors/Finishes	
K-1165-W1	6' Drop-in bath with Bask heated surface	<input type="checkbox"/> 0	<input type="checkbox"/> Other_____
Recommended Accessories			
K-11677	Swiftflo™ adjustable trip lever drain	<input type="checkbox"/> CP	<input type="checkbox"/> PB
Optional Accessories			
K-577	Under-mount kit		<input type="checkbox"/> NA
K-1491	Pillow	<input type="checkbox"/> 0	<input type="checkbox"/> Other_____
K-1601	Footstop	<input type="checkbox"/> 0	<input type="checkbox"/> Other_____

Product Specification

The bath shall be made of acrylic. Bath shall be 72" (1829 mm) in length, 42" (1067 mm) in width, and 21" (533 mm) in height. Bath shall have molded lumbar supports and armrests for comfort. Bath shall have textured bottom surface and reversible drain. Bath shall feature Bask heated lumbar support with three temperature settings. Bath shall be for drop-in or under-mount installation. Bath shall be Kohler Model K-1165-W1-_____.

SUNWARD®

Technical Information

Fixture*:				
Bathing well:				
Basin area, bottom	55-1/4" (1403 mm) x 23-1/2" (597 mm)			
Basin area, top	64-1/2" (1638 mm) x 32" (813 mm)			
Weight	93 lbs (42.2 kg)			
To overflow:				
Water depth	15" (381 mm)			
Capacity	75 gal (284.1 L)			
* Approximate measurements for comparison only.				
Included components:				
Cut-out template			1042557-7	
Heater:				
W	V	HZ	A	
65	120	60	.5	

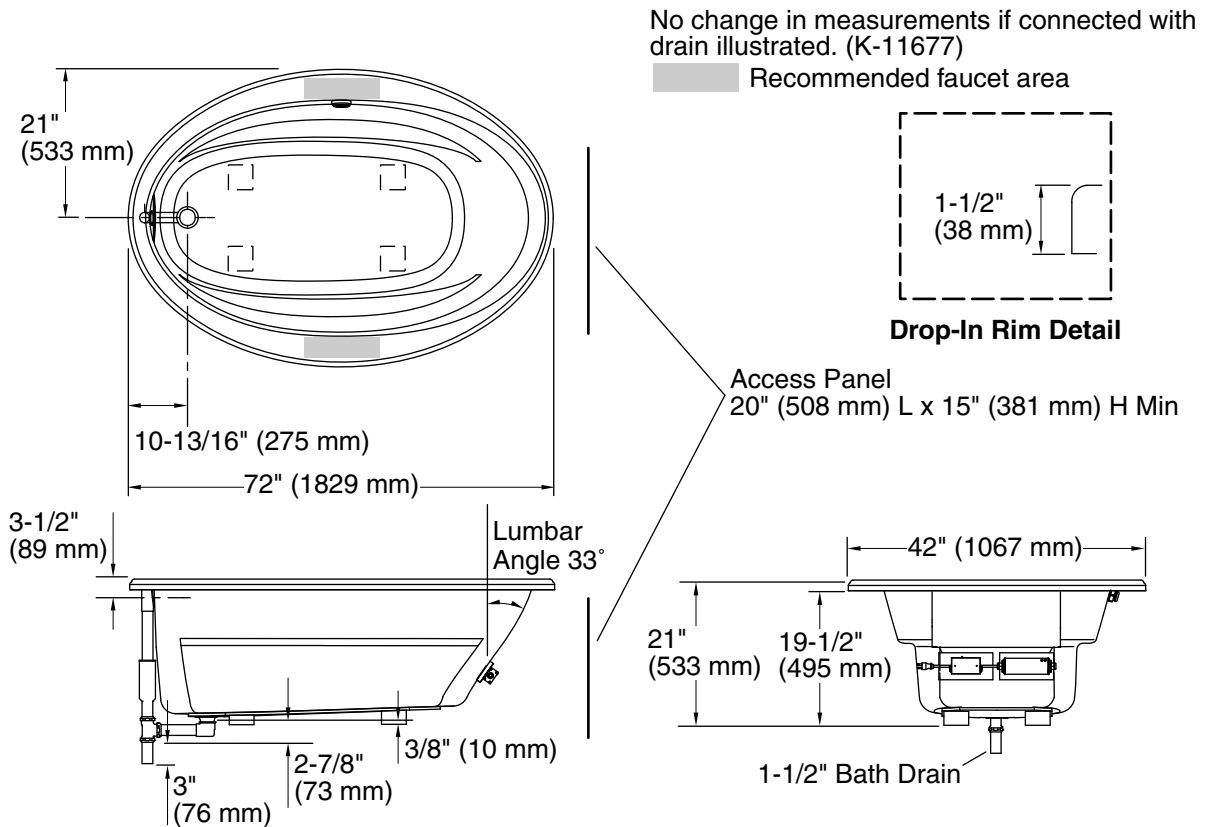
Installation Notes

Install this product according to the installation guide.

Floor support under the bath must provide for a minimum of 36 lbs/square foot (173 kg/square meter) loading.

Locate a GFCI-protected 120 V, 15 A, grounded electrical outlet within 24" (610 mm) of the bath junction box.

40" (1016 mm) cable is included.



Product Diagram