

# Installation Guide

## Quadrangle Bath Whirlpool

Français, page "Français-1"  
Español, página "Español-1"

THE BOLD LOOK  
OF **KOHLER**®

# Important Information



**WARNING:** When using electrical products, basic precautions should always be followed, including the following:



**DANGER: Risk of accidental injury or drowning.** This appliance is not intended for use by persons with reduced physical, sensory, or mental capabilities, or lack of experience and knowledge. Children should be supervised to ensure that they do not play with this appliance.



**DANGER: Risk of electric shock.** Connect only to a circuit protected by a Ground-Fault Circuit-Interrupter (GFCI)\*.

Building materials and wiring should be routed away from the pump body and other heat-producing components of the unit.

Install to permit access for servicing.

A pressure wire connector marked "Earth/Ground" is provided within the wiring compartment. To reduce the risk of electric shock, connect this connector to the grounding terminal of your electric service or supply panel with copper wire equivalent in size to the circuit conductor supplying this equipment.

Pressure wire connectors are provided on the exterior of the junction box or control within this unit to permit connection of a bonding conductor between this unit and all other exposed metal in the vicinity, as needed to comply with local requirements.

An equipment grounding terminal is provided in the field wiring compartment. To reduce the risk of electric shock, this terminal must be connected to the grounding means provided in the electric supply panel with a conductor equivalent in size to the circuit conductors supplying this equipment.

**Grounding is required.** The unit should be installed by a qualified service representative, and grounded.



**WARNING: Risk of injury or property damage.** Please read all instructions thoroughly before beginning installation, including the following requirements.



**WARNING: Risk of electric shock.** A qualified electrician should make all electrical connections.



**WARNING: Risk of electric shock.** Disconnect power before servicing.



**WARNING: Risk of personal injury.** Parts containing live parts, except parts supplied with safety extra-low voltage not exceeding 12 V, must be inaccessible to a person in the whirlpool.

**NOTICE: Follow all local plumbing and electrical codes.** In Canada, install this unit in accordance with the Canadian Electrical Code, Part 1.

\*Outside North America, this device may be known as a Residual Current Device (RCD).

## Product Information

### Electrical Requirements

The installation must have two Class A Ground-Fault Circuit-Interrupters (GFCI's). The GFCI's protect against line-to-ground shock hazard. **Use two 220-240 V, 20 A, 50/60 Hz dedicated services; one for each pump/control/heater system.**

### Product Notices



**WARNING: Unauthorized modification may cause unsafe operation and poor performance of the whirlpool.** Do not relocate the whirlpool pumps, or make other modifications to the whirlpool system, as this could adversely affect the performance and safe operation of the whirlpool. Kohler Co. shall not be liable under its warranty or otherwise for personal injury or damage caused by any such unauthorized modification.

## Product Information (cont.)

### Features

Components include two pumps, two controls, a heater, Waterfall, Flexjets, Riverjets, chromatherapy lights (Model H2 only), integral fill valve (K-1360 only), and illuminated keypad with remote control.

### Connections and Service Access

Before installation, ensure proper access to the final connections.

**NOTICE: Provide generous, unrestricted service access to the pumps.** You must provide a minimum 36" (914 mm) wide x 20" (508 mm) high access panel for servicing the pumps and controls. The access must be located immediately next to the pumps.

### Table of Contents

|  |    |
|--|----|
| Important Information                    | 2  |
| Product Information                      | 2  |
| Electrical Requirements                  | 2  |
| Product Notices                          | 2  |
| Features                                 | 3  |
| Connections and Service Access           | 3  |
| Before You Begin                         | 3  |
| Tools and Materials                      | 4  |
| Prepare the Site                         | 5  |
| Prepare the Whirlpool                    | 5  |
| Secure the Whirlpool to the Subfloor     | 6  |
| Secure the Whirlpool to the Stud Framing | 7  |
| Cut the Pump Banding Straps              | 8  |
| Install the Plumbing                     | 8  |
| Make Electrical Connections              | 9  |
| Install the Whirlpool Trim Kit           | 11 |
| Test Run the Whirlpool                   | 11 |
| Complete the Finished Wall               | 12 |
| Complete the Finished Wall - Continued   | 13 |
| Complete the Concrete Installation       | 13 |
| Clean-Up After Installation              | 13 |
| Install the Removable Pillows            | 14 |
| Confirm Proper Operation                 | 15 |
| Operating Sequence                       | 16 |
| Chromatherapy Operation                  | 17 |
| Remote Control Operation                 | 17 |
| Troubleshooting Procedures               | 17 |

### Before You Begin

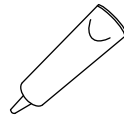
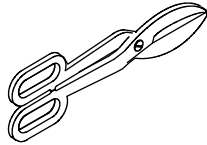
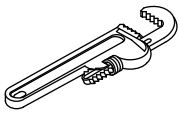
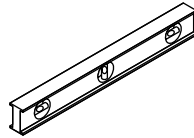
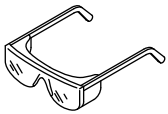
**NOTICE:** Do not lift the whirlpool by the piping or pump, or use the piping or pump for structural support of the whirlpool.

- We recommend this whirlpool for drop-in, flush, alcove, or tile-in installation, depending upon the model chosen.
- Inspect the whirlpool for damage before you begin installation.
- You must install this whirlpool to an adequately supported, level subfloor.
- Model K-1360 features an integral fill system using dual fill ports at both sides of the Waterfall, and preinstalled valving.

## Before You Begin (cont.)

- Model K-1365 allows you to use the fill valving of your choice - you can use the pre-installed dual fill ports or a separate fill spout if you desire. Confirm adequate support for a rim-mounted faucet, if used; large faucets that may be inadvertently used as a means of support are not appropriate or safe for this installation.
- Consult local and national codes.

## Tools and Materials

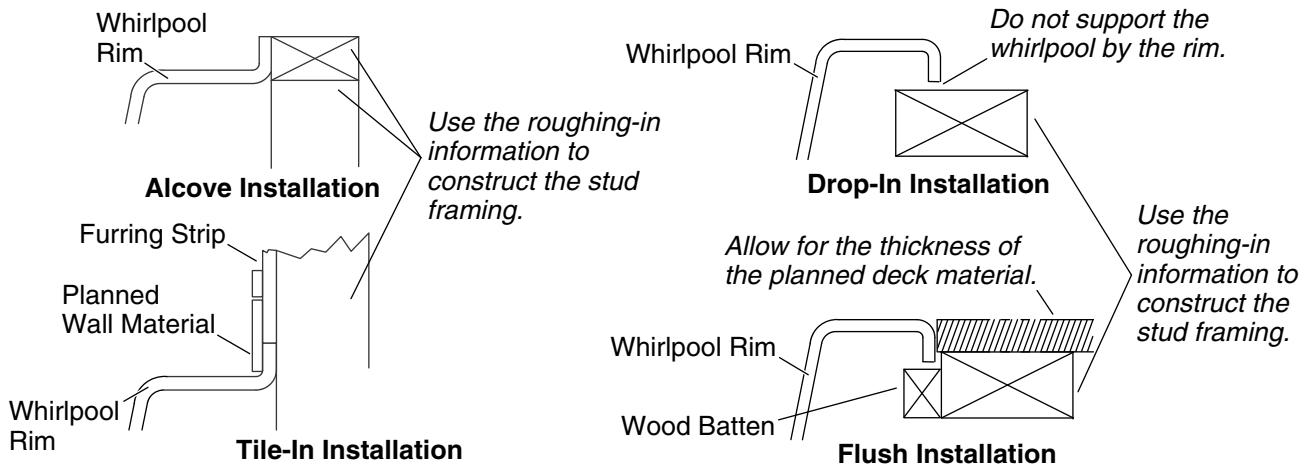


Tin Snips

Silicone Sealant

### Plus:

- Conventional Woodworking Tools and Materials
- Drop Cloth
- Cement, Mortar, or Construction Adhesive
- 2x4s



## 1. Prepare the Site

**NOTICE:** Do not support the whirlpool by the rim.

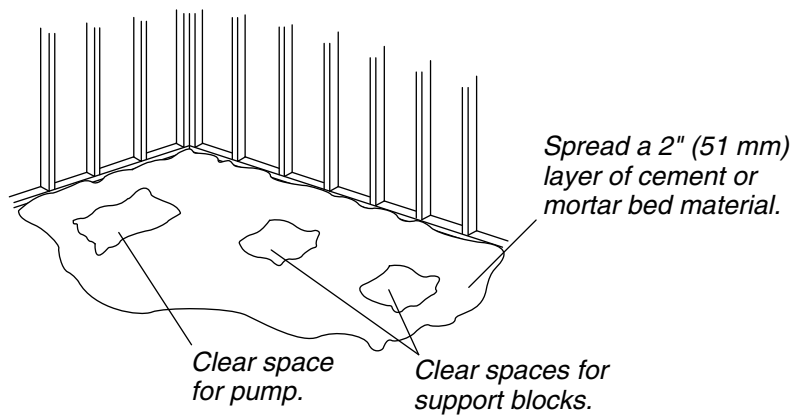
**NOTICE:** Provide adequate floor support.

**NOTICE:** Measure your actual product for site preparation. Note the **model number** located on the whirlpool pump, then visit the product page at [kohler.com](http://kohler.com) for additional information.

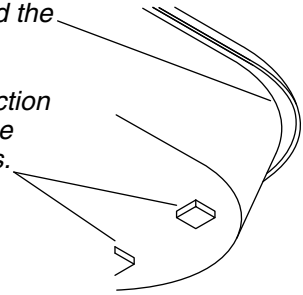
- Make sure the flooring offers adequate support for your whirlpool, and verify that the subfloor is flat and level.
- The whirlpool can be installed in a drop-in, flush, alcove, or tile-in installation. Construct 2x4 stud framing designed for your particular installation. Frame the floor, or construct a frame for a raised installation.
- Use the template packed with the whirlpool to carefully lay out and cut the rough deck material. For flush-mount installation, allow for the thickness of the planned deck material.
- Position the plumbing. Cap the supplies, and check for leaks.

## 2. Prepare the Whirlpool

- Install the drain to the whirlpool according to the drain manufacturer's instructions. Do not connect the trap at this time.
- Position a clean drop cloth or similar material in the bottom of the whirlpool. Be careful not to scratch the surface of the whirlpool.



Apply a bead of silicone sealant around the entire rim  
or  
Apply construction adhesive to the support blocks.



### 3. Secure the Whirlpool to the Subfloor

**NOTICE:** Do not lift the whirlpool by the piping or pumps, or use the piping or pumps for structural support of the whirlpool.

- Choose the installation option that best applies to your particular installation. Follow the appropriate instructions.
- If the subfloor is not level, shim the whirlpool support blocks as necessary.

#### Option for Using a Cement or Mortar Bed

**NOTE:** Do not use gypsum cement or drywall compound for this application, as they will not provide an acceptable, durable bond.

- Spread a 2" (51 mm) thick layer of cement or mortar on the subfloor where the whirlpool will be set. This will help secure, level, and support the unit. Clear all the material away from the pump control locations.

**NOTE:** The pump controls (when the pump banding straps are cut) must rest directly on the subfloor.

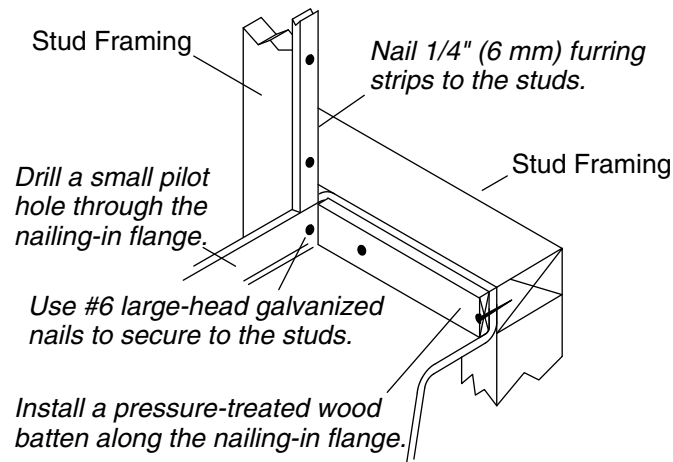
- With help, carefully lift the whirlpool into place, and make sure the pump controls do not rest in the bed material.
- Insert the drain tailpiece into the trap. Make sure the whirlpool is level and resting on all support blocks.

#### Option for Using Construction Adhesive

- Apply a generous amount of high-quality construction adhesive to the bottom of the support blocks. With help, carefully lift the whirlpool into position.
- Insert the drain tailpiece into the trap. Make sure the whirlpool is level and resting on all support blocks.

#### Option for Using 100% Silicone Sealant

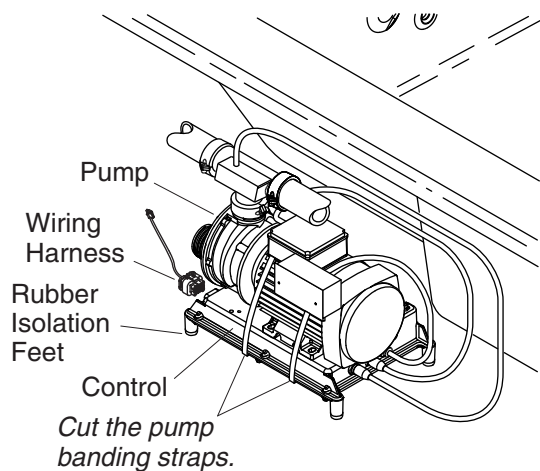
- With help, carefully lift the whirlpool into position.
- Insert the drain tailpiece into the trap. Make sure the whirlpool is level and resting on all support blocks.
- Apply a continuous bead of 100% silicone sealant around the entire rim of the whirlpool.



## 4. Secure the Whirlpool to the Stud Framing

### Option for Integral Flange Models

- Drill a small pilot hole through the nailing-in flange at each stud. Add shims between the nailing-in flange and the studs as needed to eliminate gaps.
- Nail 1/4" (6 mm) thick furring strips to the studs to shim out to the edge of the nailing-in flange.
- Use #6 large-head galvanized nails to secure the nailing-in flange to the studs.
- For tile ledge installations, size and install a pressure-treated wood batten along the nailing-in flange. Pre-drill nail holes through the wood batten and nailing-in flange before securing with galvanized nails.



## 5. Cut the Pump Banding Straps

**IMPORTANT!** This step is necessary to make your KOHLER whirlpool operate more quietly.

- Use tin snips to cut the two pump banding straps from each whirlpool pump.

**NOTE:** Do not raise the pumps higher than they were before you cut the pump banding straps. If the pumps are raised too high, they will not prime properly. Make sure the rubber isolation feet are in place.

- To minimize whirlpool noise and vibration, be sure the pumps are not in direct contact with the whirlpool after the pump banding straps are cut. The pump controls contain rubber isolation feet to reduce pump noise.

## 6. Install the Plumbing



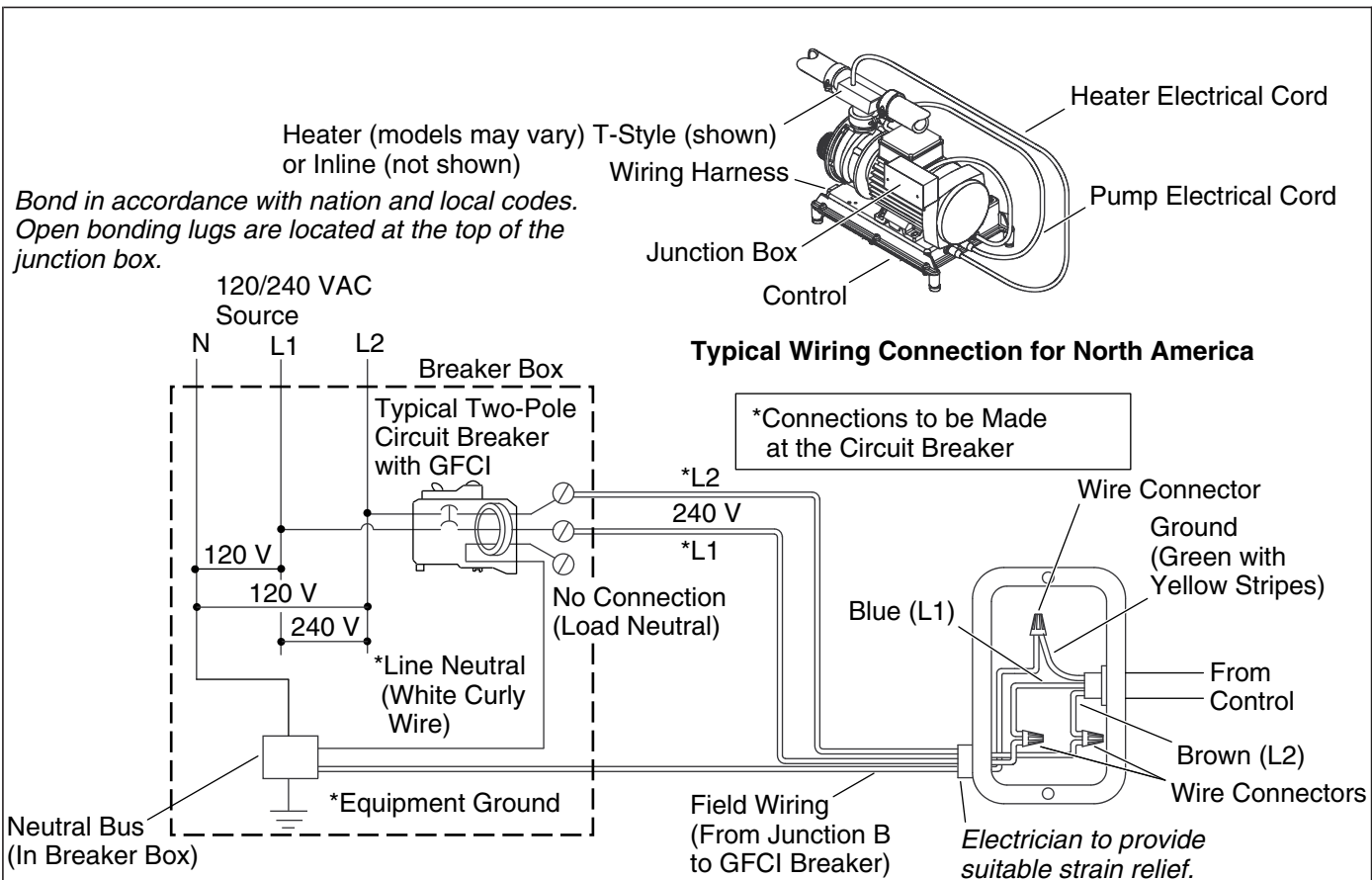
**CAUTION: Risk of property damage.** Ensure a watertight seal on the whirlpool drain.

- Connect the drain to the trap according to the drain manufacturer's instructions.

**NOTICE:** An access panel will simplify future maintenance.

- **K-1360 only:** Connect the hot and cold water supply lines to the integral fill valves according to local codes. An additional hole is pre-drilled in the bath shell for the handshower. Install the handshower at this time. Connect the end of the handshower hose to the open port of the transfer valve (beneath the bath rim). Make sure the transfer valve stem is rotated fully clockwise. The transfer valve includes an integral vacuum breaker that protects both the fill spouts and the handshower from water backflow.
- **K-1365 only:** Install the faucet valving according to the faucet manufacturer's instructions. Connect the valving to the whirlpool fill ports (spouts) according to local codes.
- **All models:** Do not install the faucet trim until instructed. Open the hot and cold water supplies, and check the supply connections for leakage.
- Run water into the whirlpool, and check the drain connections for leakage.
- Rotate the transfer valve stem, and check the handshower connections for leakage.





## 7. Make Electrical Connections

**NOTE:** The product model number is printed on a label on the pump side of the overflowing bath. This label also identifies the electrical rating of the whirlpool. **These whirlpools come equipped with two wiring junction boxes and are designed to operate between 208 VAC and 240 VAC at either 50 Hz or 60 Hz.**



**WARNING: Risk of electrical shock.** Make sure the power has been disconnected before performing the following procedures. Refer to the "Important Information" section.



**WARNING: Risk of electrical shock.** To reduce the risk of electrical shock, connect the pump to a properly grounded Ground-Fault Circuit-Interrupter (GFCI)\*. The heater will also need to be connected to a properly grounded Ground-Fault Circuit-Interrupter (GFCI). This will provide additional protection against line-to-ground shock hazard. Two 208-240 V, 20 A, 50/60 Hz dedicated circuits are required.

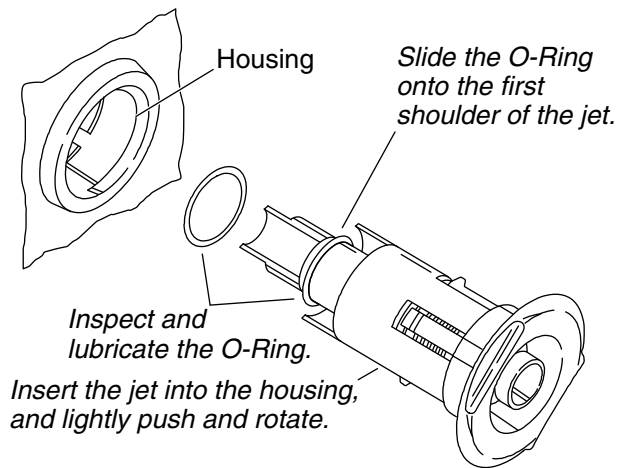
**IMPORTANT!** The **load neutral** is not used. There should be no connection to the **load neutral** terminal on the Ground-Fault Circuit-Interrupter (GFCI) breaker. The green wire with the yellow stripes is the **equipment ground** and needs to be connected to the neutral bus in the main circuit breaker box.

- The control and heater have been pre-wired at the factory. A qualified electrician should make routine service connections to each of the junction boxes.
- Connect service to the junction boxes. Both junction boxes contain blue, brown, and green with yellow stripe colored wires.
- Follow local electrical codes. Bond in accordance with national and local codes.
- A wiring harness has been pre-wired at the factory, allowing communication between the keypad, all features, and the control. No additional wiring is required, but ensure that all wires are securely fastened.

**Make Electrical Connections (cont.)**

**NOTE:** Your wiring harness includes an antenna for the optional remote control. Do not alter or damage this antenna during installation.

\*Outside of North America, this device may be known as a Residual Current Device (RCD).



## 8. Install the Whirlpool Trim Kit

- Install the whirlpool trim kit (if not factory installed) according to the instructions packed with the trim kit. Pay particular attention to the jet installation steps below - they are very important and are included here to help you obtain smooth, trouble-free jet operation.

**NOTE:** The jet O-ring must be correctly positioned, must be lubricated, and must be in good condition to permit easy rotation and proper operation of the jet.

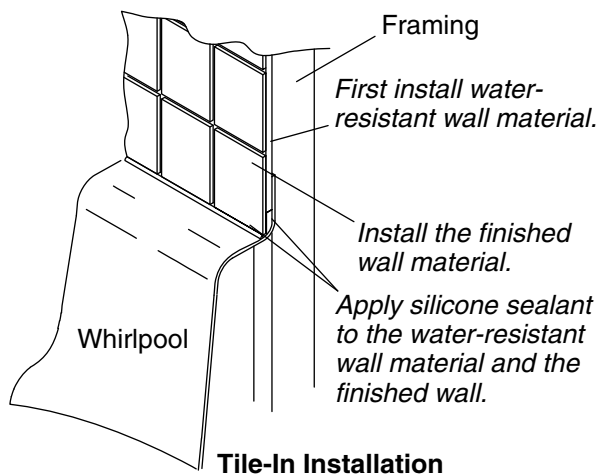
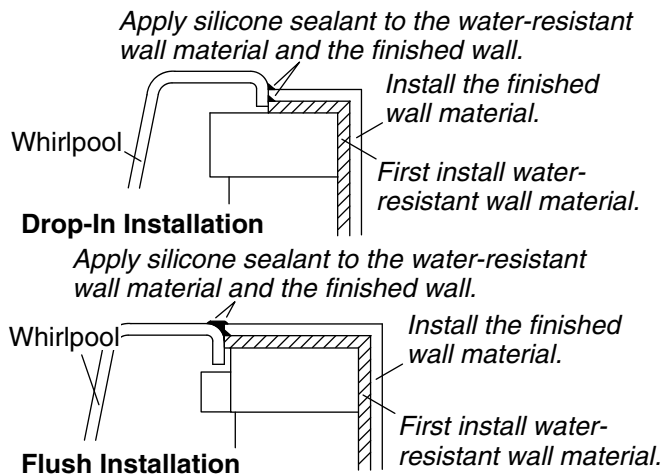
- Install the O-ring onto the **first shoulder** of the jet. Lubricate the O-ring with silicone lubricant to prevent noisy operation of the jet.
- Carefully insert the jet into the housing, and lightly push and rotate the jet until it snaps into position. **Do not force the jet.**

**NOTE:** When installed correctly, the jet should turn smoothly both clockwise and counterclockwise.

## 9. Test Run the Whirlpool

- Check all electrical connections, then make sure all union connections to the pumps and heater are securely hand tightened.
- Verify both sets of pump banding straps have been cut and the pump controls are resting directly on the subfloor. Ensure the rubber isolation feet are in place.
- Turn electrical power to the whirlpool on.
- Fill the whirlpool to a level above the water level sensors located on either side of the bath.
- Operate the whirlpool for 5 minutes (refer to the "Operating Sequence" section).
- Check for leaks coming from the piping connections on the back side of the whirlpool unit.
- Turn on each of the whirlpool features and verify proper function. Check for any water leakage on the whirlpool's back side.
- If equipped, turn on the chromatherapy cycle and allow it to sequence through all eight colors; white, violet, indigo blue, aqua blue, green, yellow, orange and red. It takes approximately 1 minute to cycle through all eight colors.
- Verify functions using the remote control. Refer to the "Remote Control Operation" section.

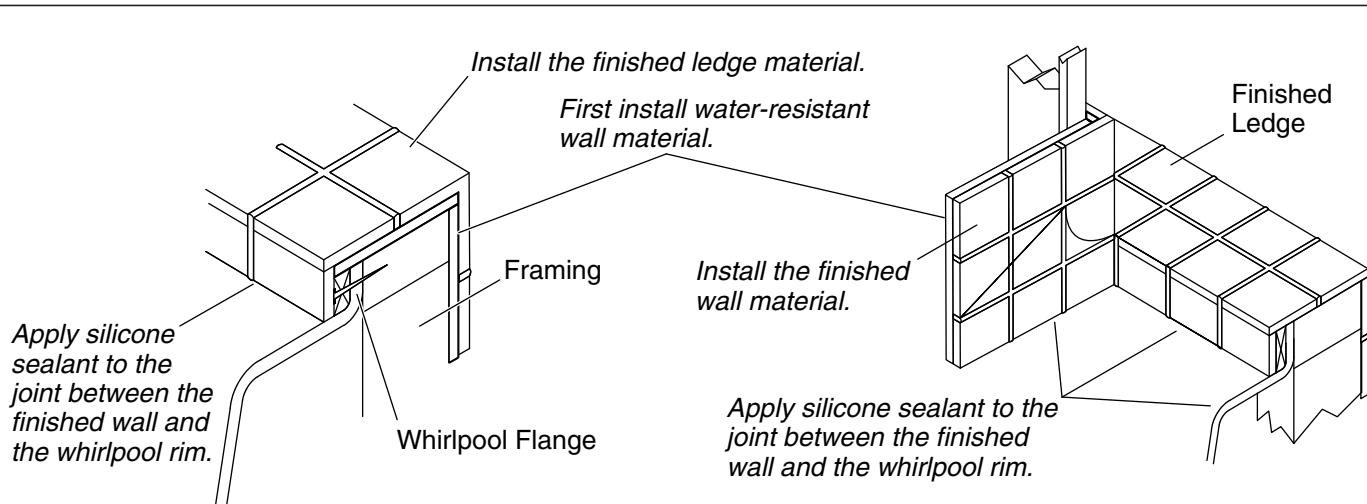
**NOTE:** For additional information on whirlpool operation, see the "Confirm Proper Operation" section of this guide.



## 10. Complete the Finished Wall

### Drop-in, Flush, and Tile-in Installation

- If you have not already done so, carefully remove the protective tape from the whirlpool rim.
- Cover the framing with water-resistant wall material. Seal the joints between the whirlpool rim edge and the water-resistant wall material with silicone sealant.
- Tape and mud the water-resistant wall material. Install the finished wall to the water-resistant wall material. Seal the joints between the whirlpool rim and the finished wall material with silicone sealant.
- Install the faucet trim according to the instructions packed with the trim.



## 11. Complete the Finished Wall - Continued

### Tiled Ledge Installation

- If you have not already done so, carefully remove the protective tape from the whirlpool rim.
- Cover the framing with water-resistant wall material.
- Tape and mud the water-resistant wall material. Install the finished wall to the water-resistant wall material. Seal the joints between the whirlpool rim and the finished wall material with silicone sealant.

**NOTE:** The exposed area of the whirlpool rim must not be less than 37-5/8" (956 mm) x 72" (1829 mm) in order for the pillows to fit properly.

- Install the faucet trim according to the instructions packed with the trim.
- Install the grip rails according to the installation instructions packed with the grip rails.

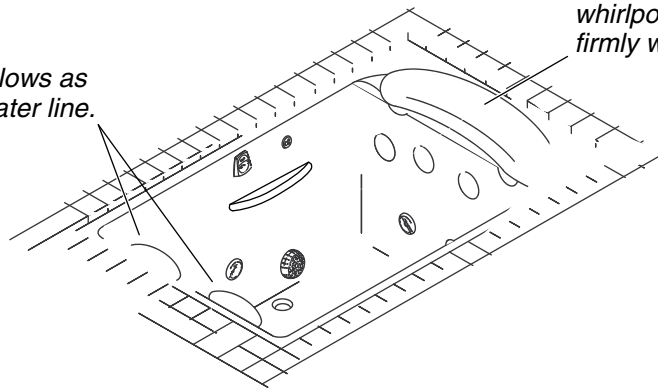
## 12. Complete the Concrete Installation

- If you have not already done so, carefully remove the protective tape from the whirlpool rim.
- Apply mortar and tile to the wall, deck and surround material as needed.
- Apply a bead of sealant where the tile meets the whirlpool surface.
- Install the faucet trim according to the instructions packed with the trim.

## 13. Clean-Up After Installation

- When cleaning up after installation, **do not use abrasive cleansers**, as they may scratch and dull the whirlpool surface. If necessary, use warm water and a liquid detergent to clean the surface of the whirlpool, user keypad and remote control.
- Remove stubborn stains, paint, or tar with turpentine or paint thinner. **Do not allow cleaners containing petroleum distillates to remain in contact with any whirlpool surfaces for long periods of time.** Remove plaster by carefully scraping with a wood edge. Do not use metal scrapers, wire brushes, or other metal tools. Use a powder-type detergent on a damp cloth to provide mild abrasive action to any residual plaster.

*Position the small pillows as desired above the water line.*



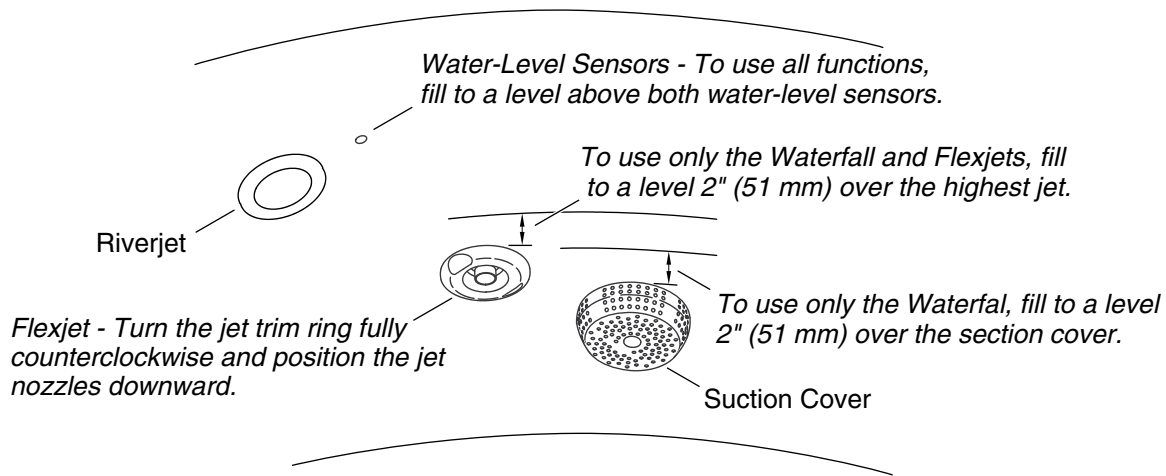
*Position the large pillow on the whirlpool ledge, and press down firmly with your hand.*

## 14. Install the Removable Pillows

**NOTICE:** Do not submerge the pillows underwater or use them as seat cushions.

**NOTE:** For best attachment to the whirlpool surface, moisten the back surface of the pillows at the suction cup locations.

- Clean the whirlpool surface of any soap film or oils. Suction cups are located on the back side of the pillows. Position the large pillow in the appropriate location on the whirlpool ledge, and press down firmly at the suction cup locations with the heel of your hand. Position the small pillows as desired above the waterline by again pressing down firmly with the heel of your hand. Check to make sure that the pillows are attached firmly to the whirlpool.
- Detach the pillows by lifting them off the whirlpool surface.



## 15. Confirm Proper Operation

### Fill the Whirlpool

**NOTE:** Please read these steps carefully before you operate your whirlpool.

- Turn the jet trim rings fully counterclockwise. Position the jet nozzles so they face down toward the basin.

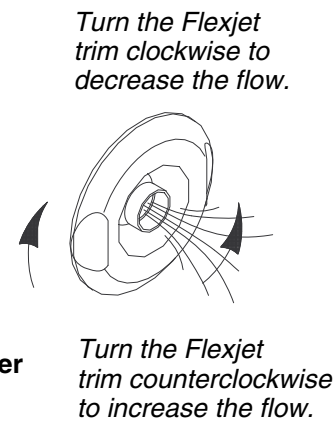
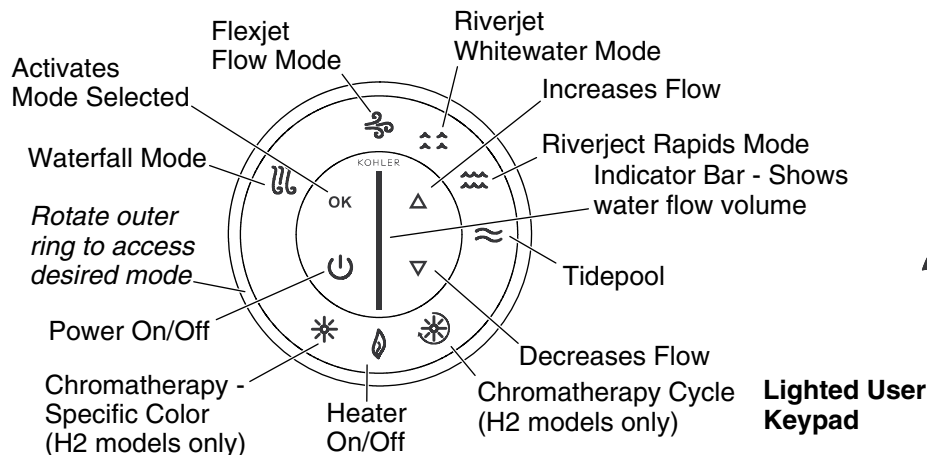
**NOTE:** For Waterfall only use (no Flexjets or Riverjets), you only need to fill the whirlpool basin to a level about 2" (50 mm) above the top of the suction covers.

**NOTE:** For Waterfall or Flexjets (no Riverjets), you only need to fill the whirlpool basin to a level about 2" (50 mm) above the top of the highest Flexjet.

- **To operate all functions:** Fill the whirlpool to a level above the water-level sensors on either side of the Riverjets.

**NOTE:** The Riverjets will only operate if both water-level sensors are completely covered with water. If the water level drops below the sensors, the Riverjets will automatically turn off, and the Flexjets will turn on. The Riverjets and Flexjets will not operate at the same time.

**NOTE:** The water temperature in the whirlpool should not exceed 104°F (40°C). The heater will automatically turn off as the water temperature approaches 104°F (40°C) and will remain off until the water cools.



## Operating Sequence

**NOTE:** A built-in heater automatically helps to maintain the water temperature when the whirlpool is running, as long as the water temperature does not exceed 104°F (40°C). The heater will disengage at higher temperatures.

**IMPORTANT!** Please refer to your Homeowners Guide for detailed instructions on the user keypad and remote control.

**NOTE:** Your bath uses two pumps. One pump powers the Waterfall, and the second pump propels water through the Flexjets and Riverjets.

- **To turn the whirlpool on:** Press the Power On/Off button or rotate the outer ring to access a desired mode, as described below.
- **To access a desired mode:** Rotate the outer ring until the button is flashing blue. Press "OK" to activate the mode. The active mode will flash green. To turn off a mode, rotate the outer ring until the button is flashing blue and press "OK" again. Verify each of the features listed below.
- **Waterfall:** When activated, the Waterfall will start to flow at medium volume within several seconds. The Waterfall mode is not heated. Increase or decrease the water flow by pressing either the up or down arrow buttons on the keypad. An indicator bar in the center of the keypad shows the water flow volume. The Waterfall may be used alone, or with any one of the following; Flexjets, Whitewater mode or Rapids mode.
- **Flexjets:** When activated, the Flexjets, located lower in your whirlpool than the Riverjets, will start to flow at medium volume immediately. Increase or decrease the water flow by pressing either the up or down arrow buttons on the keypad. An indicator bar in the center of the keypad shows the water flow volume.
- **Whitewater:** Whitewater mode activates the two outside Riverjets behind your neck to flow at medium volume. Increase or decrease the water flow by pressing either the up or down arrow buttons on the keypad. An indicator bar in the center of the keypad shows the water flow volume.
- **Rapids:** Rapids mode activates the four Riverjets behind your neck to flow at medium volume. Increase or decrease the water flow by pressing either the up or down arrow buttons on the keypad. An indicator bar in the center of the keypad shows the water flow volume.
- **Tidepool:** This feature turns off the air flow to the jets for a soothing, relaxing effect. The Tidepool feature may be used at any time while any of the jets are operating. The Tidepool mode does not affect the Waterfall.

**NOTE:** Some air may flow from one or more jets for a short time after the Tidepool feature has been activated.



## Operating Sequence (cont.)

- **Heater:** The built-in heater automatically helps to maintain the water temperature when any of the jets are operating, as long as the water temperature does not exceed 104°F (40°C). The heater may be turned off at any time while the pumps are operating, by rotating the outer ring until the heater button is flashing and pressing “OK”. Press “OK” again to turn the heater back on.
- Your whirlpool jet system adds air to the water stream (when not in the Tidepool mode) to increase the force of the water flow. Decrease the force of the whirlpool water flow by turning the whirlpool trim rings clockwise until you obtain the desired water force. Turn the trim rings counterclockwise to increase the water flow force.
- Press the Power On/Off button to turn the whirlpool off.

**NOTE:** A built-in timer automatically stops the pump and motor after approximately 20 minutes of operation.

## 16. Chromatherapy Operation

### Equipped on H2 Models Only

**NOTE:** Chromatherapy may be used with all modes of operation. Chromatherapy may also be used when the pumps are not operating.

- **Chromatherapy Cycle:** When this mode is activated, the chromatherapy lights will automatically and continuously cycle through the eight colors; white, violet, indigo blue, aqua blue, green, yellow, orange and red. One cycle through all eight colors takes approximately one minute. Rotate the outer ring to select this mode and press “OK” to activate it. Press “OK” while the chromatherapy mode is active, to turn off the lights.
- **Chromatherapy Specific Color Selection:** When this mode is activated, you may choose a specific color for the bath. Rotate the outer ring to select this mode, press “OK” to activate and use the up/down arrows to reach the desired color. Press “OK” while the chromatherapy mode is active, to turn off the lights.

## 17. Remote Control Operation

**NOTE:** Refer to your Homeowners Guide for detailed instructions on your remote control.

- The remote control places the whirlpool functions at your fingertips. You may access and modify all modes/features from the remote control. The waterproof remote control is designed to be used in the bath and will float in the water. The remote control uses two AAA batteries.
- The mode selector button functions in the same way as the outer ring. When “M” is pressed, one of the modes will flash on the user keypad. If “M” is pressed again, the next mode in clockwise order will flash. When the desired mode is flashing, press “OK” to activate it.
- When the Flexjets, Waterfall, Whitewater or Rapids mode is active, the arrows will increase or decrease the water flow volume.

## Troubleshooting Procedures

**NOTICE:** This section is for general aid only. A Kohler Co. Authorized Service Representative or qualified electrician should correct any electrical problems. For warranty service, call 1-800-4KOHLER from within the USA and Canada, or 001-800-456-4537 from within Mexico.

**NOTE:** Outside North America, a GFCI may be known as a Residual Current Device (RCD).

### Troubleshooting the Whirlpool System

## Troubleshooting Procedures (cont.)

| Symptoms  | Probable Causes  | Recommended Action  |
|---|--|---|
| 1. User keypad does not illuminate when power button is pressed or outer ring is rotated. | <p>A. No power to control.</p> <p>B. GFCI tripped.</p> <p>C. Wiring harness from user keypad to control is loose, disconnected or damaged.</p> <p>D. User keypad does not work.</p> <p>E. Control does not work.</p> | <p>A. Check wiring and connect power.</p> <p>B. Reset GFCI.</p> <p>C. Check wiring for proper connections. Replace wiring harness if necessary.</p> <p>D. Replace user keypad.</p> <p>E. Replace control.</p> |
| 2. Motor starts, but all jets are not functioning.  | <p>A. Jet is closed.</p> <p>B. Jet not installed correctly.</p> <p>C. Jets are blocked.</p>  | <p>A. Rotate jet trim counterclockwise to open.</p> <p>B. Reinstall jet; check for O-ring damage.</p> <p>C. Remove blockage.</p>  |
| 3. User keypad is illuminated, but does not respond to buttons or outer ring.             | <p>A. Control program is locked.</p> <p>B. Wiring harness from user keypad to control is loose, disconnected or damaged.</p> <p>C. User keypad does not work.</p> <p>D. Control does not work.</p>                   | <p>A. Reset GFCI.</p> <p>B. Check wiring for proper connections. Replace wiring harness if necessary.</p> <p>C. Replace user keypad.</p> <p>D. Replace control.</p>   |
| 4. User keypad indicator bar keeps scanning at power-up.                                  | <p>A. Control program is locked.</p> <p>B. Wiring harness from user keypad to control is loose, disconnected or damaged.</p> <p>C. User keypad does not work.</p> <p>D. Control does not work.</p>                   | <p>A. Reset GFCI.</p> <p>B. Check wiring for proper connections. Replace wiring harness if necessary.</p> <p>C. Replace user keypad.</p> <p>D. Replace control.</p>   |
| 5. User keypad is illuminated, but pump won't start.                                      | <p>A. Power cord from pump to control is loose, disconnected or damaged.</p> <p>B. Pump does not work.</p> <p>C. Control does not work.</p>  | <p>A. Check wiring for proper connections.</p> <p>B. Replace pump.</p> <p>C. Replace control.</p>   |
| 6. Motor runs but pump won't prime (cavitates).   | <p>A. Pump is shimmed too high.</p> <p>B. Small air leak at pump inlet.</p> <p>C. Motor/pump does not work.</p> <p>D. Control does not work.</p>   | <p>A. Lower pump/control to subfloor level.</p> <p>B. Securely tighten nut(s) on intake side of pump.</p> <p>C. Replace motor/pump.</p> <p>D. Replace control.</p>  |
| 7. Little or poor water flow from dual fill ports.  | <p>A. Water supply lines blocked.</p> <p>B. Transfer valve not fully open.</p>   | <p>A. Remove blockage.</p> <p>B. Rotate transfer valve handle.</p>  |
| 8. Little or poor water flow from Waterfall.  | <p>A. Suction or harness blocked.</p> <p>B. Pump does not work.</p> <p>C. Control does not work.</p>   | <p>A. Remove blockage.</p> <p>B. Replace pump.</p> <p>C. Replace control.</p>   |
| 9. Flexjets operate, but Riverjets do not operate as described.                           | <p>A. Insufficient water in whirlpool basin.</p> <p>B. User keypad does not work.</p>  | <p>A. Fill whirlpool so water covers water-level sensors.</p> <p>B. Replace user keypad.</p>  |

## Troubleshooting Procedures (cont.)

| Symptoms   | Probable Causes  | Recommended Action  |
|--|--|---|
|  | <p>C. Butterfly valve does not work.</p> <p>D. Control does not work.</p>  | <p>C. Check wiring. Replace butterfly valve.</p> <p>D. Replace control.</p>   |
| 10. Up/down volume control arrows do not change water flow as described.                                 | <p>A. User keypad does not work.</p> <p>B. Pump does not work.</p> <p>C. Control does not work.</p>  | <p>A. Check wiring. Replace user keypad.</p> <p>B. Check wiring. Replace pump.</p> <p>C. Check wiring. Replace control.</p>   |
| 11. Air flow through jets does not stop when Tidepool mode is activated.                                 | <p>A. User keypad does not work.</p> <p>B. Butterfly valve does not work.</p> <p>C. Control does not work.</p>   | <p>A. Replace user keypad.</p> <p>B. Check wiring. Replace butterfly valve.</p> <p>C. Check wiring. Replace control.</p>  |
| 12. Air continues to flow through one or more jets for several seconds after Tidepool mode is activated. | <p>A. Normal operation - air will stop flowing in a short time.</p>  | <p>A. No action required.</p>   |
| 13. Pump stops before 18 minutes.  | <p>A. GFCI tripped.</p> <p>B. Suction is blocked.</p> <p>C. Jets are blocked.</p> <p>D. Motor overheated and protection device activated.</p>  | <p>A. Identify source of fault, and correct. Reset GFCI.</p> <p>B. Remove obstruction.</p> <p>C. Remove blockage.</p> <p>D. Check for blockage at suction and/or jets. Remove blockage and allow motor to cool.</p> |
| 14. Pump does not automatically stop after 22 minutes.   | <p>A. 20-minute timer inadvertently disabled.</p>  | <p>A. See service manual.</p>   |
| 15. Pump won't turn off when the power button on user keypad is pressed.                                 | <p>A. User keypad does not work.</p> <p>B. Control does not work.</p>  | <p>A. Replace user keypad.</p> <p>B. Replace control.</p>   |
| 16. Pump operates but variable speed feature does not work.  | <p>A. Motor/pump does not work.</p> <p>B. Control does not work.</p>   | <p>A. Replace motor/pump.</p> <p>B. Replace control.</p>  |
| 17. Bath water cools while pump is operating.  | <p>A. Water temperature above 104°F (40°C).</p> <p>B. Heater is turned off on user keypad.</p> <p>C. Wiring from heater to control is loose, disconnected or damaged.</p> <p>D. Heater does not work.</p> <p>E. Control does not work.</p> | <p>A. Allow bath water to cool.</p> <p>B. Turn heater on.</p> <p>C. Check wiring for proper connections.</p> <p>D. Replace heater.</p> <p>E. Replace control.</p>   |
| 18. Noisy operation.   | <p>A. Pump banding straps have not been cut.</p> <p>B. Dry or dislodged jet O-ring (squeal).</p>   | <p>A. Cut pump banding straps with tin snips.</p> <p>B. Remove jet, replace and lubricate O-ring, and reinstall jet.</p>  |
| 19. Remote control (if equipped) does not work.  | <p>A. Batteries improperly installed or dead.</p> <p>B. Antenna on wiring harness is damaged.</p>  | <p>A. Replace batteries.</p> <p>B. Replace wiring harness.</p>  |

**Troubleshooting Procedures (cont.)**

| <b>Symptoms</b> | <b>Probable Causes</b>   | <b>Recommended Action</b>   |
|-----------------|--|---|
|                 | <ul style="list-style-type: none"><li>C. Remote control not programmed correctly.</li><li>D. Remote control does not work.</li><li>E. Control does not work.</li></ul> | <ul style="list-style-type: none"><li>C. See homeowners guide or service manual.</li><li>D. Replace remote control.</li><li>E. Replace control.</li></ul> |

**Troubleshooting the Chromotherapy Lights - H2 Models Only**

| <b>Symptoms</b>                       | <b>Probable Causes</b>  | <b>Recommended Action</b>  |
|---------------------------------------|---|--|
| 20. Chromotherapy lights do not work. | <ul style="list-style-type: none"><li>A. Loose, disconnected or damaged wiring/connections.</li><li>B. Control does not work.</li></ul> | <ul style="list-style-type: none"><li>A. Check wiring for proper connections. Replace wiring if necessary.</li><li>B. Replace control.</li></ul> |

# Guide d'installation

## Baignoire à hydromassage quadrilatère

### Renseignements importants



**AVERTISSEMENT:** Lors de l'utilisation de produits électriques, toujours observer les précautions de base, dont les suivantes :



**DANGER: Risque de blessures ou de noyade accidentelles** Cet appareil n'est pas destiné à être utilisé par des personnes dont les capacités physiques, sensorielles ou mentales sont réduites, ou qui ont un manque d'expérience ou de connaissances. Les enfants doivent être supervisés pour assurer qu'ils ne jouent pas avec cet appareil.



**DANGER: Risque de choc électrique.** Raccorder uniquement à un circuit protégé par un disjoncteur de fuite de terre (GFCI)\*.

Les matériaux de construction et le câblage doivent être acheminés loin du corps de la pompe et des autres composants de l'unité qui dégagent de la chaleur.

Installer de façon à permettre un accès pour l'entretien.

Un connecteur à pression pour câbles marqué « Earth/Ground » (Terre/Masse) est fourni dans le compartiment de câblage. Afin de réduire les risques de choc électrique, raccorder ce connecteur à une borne de terre du panneau de service électrique ou du panneau d'alimentation avec un câble en cuivre ayant la même dimension que le conducteur du circuit qui alimente cet équipement.

Des connecteurs à pression par câble sont fournis sur l'extérieur de la boîte de jonction ou de la commande incluse avec cette unité afin de permettre la connexion d'un conducteur de liaison entre cette unité et toutes les autres surfaces de métal exposées avoisinantes, comme requis par les normes locales.

Une borne de mise à la terre de l'équipement est incluse dans le boîtier du câblage sur place. Pour réduire les risques de choc électrique, cette borne doit être raccordée à un dispositif de mise à la terre fourni dans le panneau d'alimentation électrique, avec un conducteur ayant le même calibre que celui des conducteurs du circuit qui alimente cet équipement.

**Une mise à la terre est requise.** L'ensemble doit être installé par un représentant qualifié et doit être mis à la terre.



**AVERTISSEMENT: Risque de blessures ou d'endommagement du matériel.** Toutes les instructions doivent être lues avec la plus grande attention avant de commencer l'installation, et toutes les conditions suivantes doivent être respectées.



**AVERTISSEMENT: Risque de choc électrique.** Un électricien qualifié doit effectuer toutes les connexions électriques.



**AVERTISSEMENT: Risque de choc électrique.** Déconnecter l'alimentation électrique avant d'effectuer un entretien.



**AVERTISSEMENT: Risque de blessures.** La personne dans la baignoire à hydromassage ne doit pas pouvoir accéder aux pièces qui contiennent des parties sous tension, sauf les pièces fournies avec une tension de sécurité extra basse et ne dépassant pas 12 V.

**AVIS: Respecter tous les codes de plomberie et électriques locaux.** Au Canada, installer cet ensemble conformément au Code canadien de l'électricité, Partie 1.

\*Hors de l'Amérique du Nord, ce dispositif peut être connu sous le nom de dispositif à courant résiduel (RCD).

## Renseignements importants (cont.)

### Renseignements sur le produit

#### Installations électriques requises

Cette installation doit être munie de deux disjoncteurs de fuite de terre (GFCI) de classe A. Les disjoncteurs GFCI protègent contre les risques d'électrocution de tension phase-terre. **Utiliser deux alimentations dédiées de 220-240 V, 20 A, 50/60 Hz; une pour chaque système de pompe/commande/chauffe-eau.**

#### Notices du produit



**AVERTISSEMENT: Des modifications non approuvées pourraient provoquer un fonctionnement dangereux et un mauvais rendement de la baignoire à hydromassage.** Ne pas déplacer les pompes de la baignoire à hydromassage et ne pas effectuer d'autres modifications sur le système d'hydromassage car cela pourrait affecter le rendement et la sécurité de la baignoire à hydromassage. Kohler Co. décline toute responsabilité sous sa garantie et pour toutes blessures ou tous dommages causés par de telles modifications non autorisées.

#### Fonctions

Les composants incluent deux pompes, deux commandes, un chauffe-eau, une cascade, des jets Flexjet et Riverjet, des lampes de chromothérapie (modèle H2 seulement), un robinet de remplissage intégral (K-1360 seulement) et un clavier lumineux avec télécommande.

#### Connexions et accès pour l'entretien

Avant d'effectuer l'installation, s'assurer d'avoir un accès adéquat aux connexions finales.

## Renseignements sur le produit (cont.)

**AVIS:** Fournir un large espace non restreint pour pouvoir accéder aux pompes. Il faut prévoir un panneau d'accès d'un minimum de 36 po (914 mm) de largeur x 20 po (508 mm) de hauteur pour l'entretien des pompes et des commandes. L'accès doit être situé juste à côté des pompes.

## Sommaire

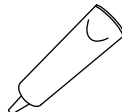
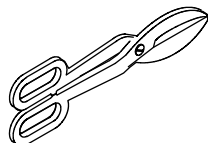
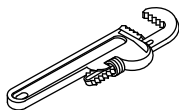
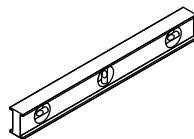
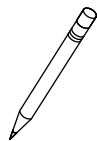
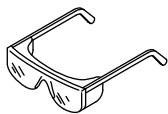
|   |    |
|---|----|
| Renseignements importants   | 1  |
| Renseignements sur le produit                                       | 2  |
| Installations électriques requises                                  | 2  |
| Notices du produit  | 2  |
| Fonctions   | 2  |
| Connexions et accès pour l'entretien                                | 2  |
| Avant de commencer  | 3  |
| Outils et matériel  | 4  |
| Préparer le site  | 5  |
| Préparer la baignoire à hydromassage                                | 5  |
| Fixer la baignoire à hydromassage sur le sous-plancher              | 6  |
| Fixer la baignoire à hydromassage sur le pan à colombages           | 7  |
| Couper les sangles de retenue de la pompe                           | 8  |
| Installer la plomberie  | 8  |
| Effectuer les connexions électriques                                | 10 |
| Installer la trousse de garniture de la baignoire à hydromassage    | 12 |
| Effectuer un essai de fonctionnement de la baignoire à hydromassage | 12 |
| Terminer le mur fini  | 14 |
| Terminer le mur fini - Suite  | 15 |
| Terminer l'installation du béton                                    | 15 |
| Nettoyer après l'installation                                       | 15 |
| Installer les coussins amovibles                                    | 16 |
| Confirmer le bon fonctionnement                                     | 17 |
| Séquence de fonctionnement  | 18 |
| Fonctionnement avec chromathérapie                                  | 19 |
| Fonctionnement de la télécommande                                   | 19 |
| Procédures de dépannage   | 20 |

## Avant de commencer

**AVIS:** Ne pas soulever la baignoire à hydromassage par la tuyauterie ou la pompe et ne pas utiliser la tuyauterie ou la pompe comme support structurel de la baignoire à hydromassage.

- Nous recommandons cette baignoire à hydromassage pour une installation à encastrer par le dessus ou en alcôve, ou à ras du carrelage, selon le modèle choisi.
- Inspecter la baignoire à hydromassage afin d'y déceler des dommages éventuels avant de commencer l'installation.
- Cette baignoire à hydromassage doit être installée sur un sous-plancher mis à niveau et supporté de manière adéquate.
- Le modèle K-1360 comporte un système de remplissage intégral utilisant des orifices de remplissage doubles sur les deux côtés de la Chute d'eau et une robinetterie préinstallée.
- Le modèle K-1365 permet d'utiliser la robinetterie de remplissage de son choix : soit les orifices de remplissage doubles préinstallés, soit un bec de remplissage séparé si souhaité. Vérifier que le support est adéquat pour un robinet à montage sur rebord, le cas échéant; les robinets de grande taille qui auraient pu être utilisés par inadvertance comme moyen de support ne sont pas appropriés ou sécuritaires pour cette installation.
- Consulter les codes locaux et nationaux.

## Outils et matériel



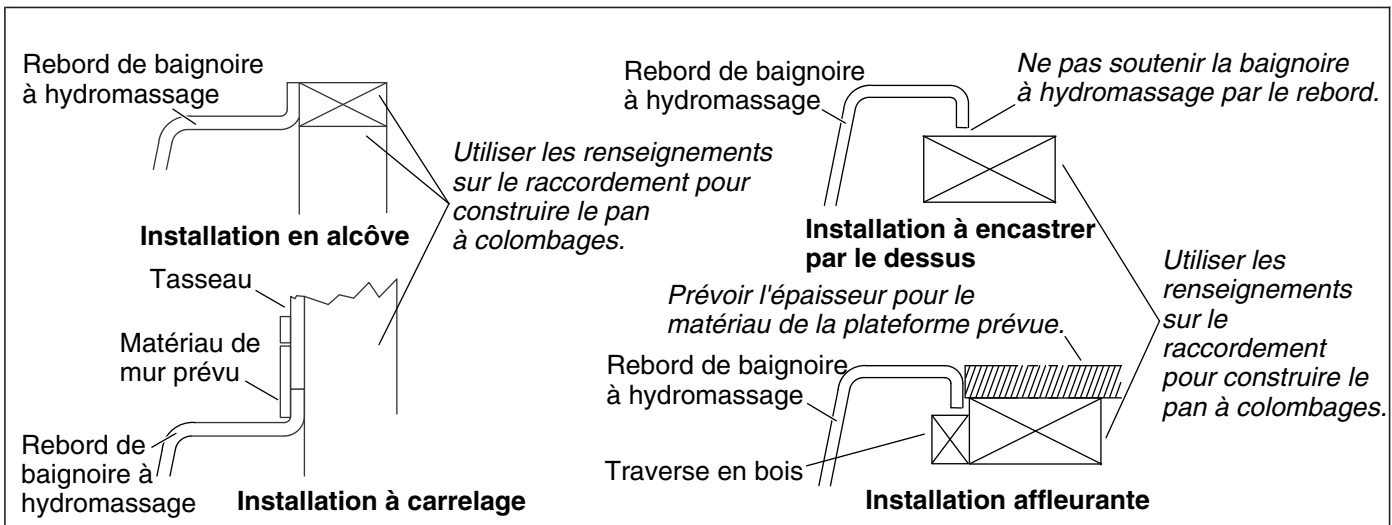
Cisailles de ferblantier

Mastic à la silicone

### Plus :

- Outils et matériaux de menuiserie classiques
- Toile de protection
- Ciment, Mortier, ou adhésif de construction
- 2x4





## 1. Préparer le site

**AVIS:** Ne pas supporter la baignoire à hydromassage par le rebord.

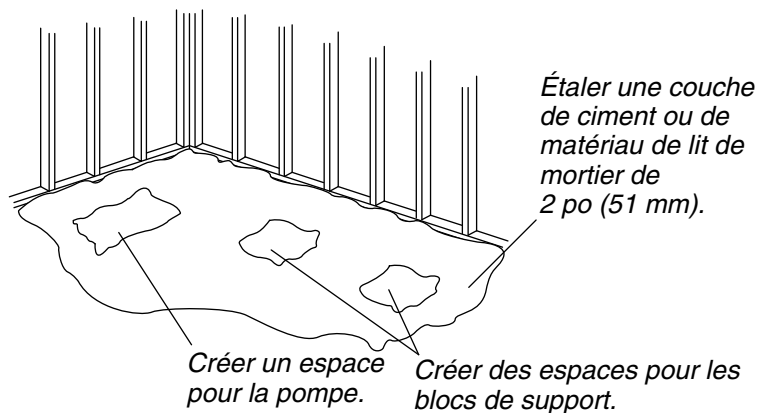
**AVIS:** Fournir un support de plancher adéquat.

**AVIS:** Mesurer le produit en question pour la préparation du site. Noter le **numéro de modèle** se trouvant sur la pompe de la baignoire à hydromassage, puis visiter la page du produit sur le site [kohler.com](http://kohler.com) pour obtenir de l'information supplémentaire.

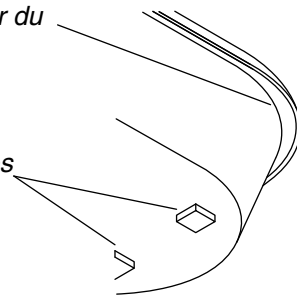
- S'assurer que le plancher offre un support adéquat pour la baignoire à hydromassage et vérifier que le sous-plancher est plat et de niveau.
- La baignoire à hydromassage peut être installée encastrée par le dessus, en position affleurante, en alcôve, ou à ras du carrelage. Construire un encadrement de montants de 2x4 conçu pour l'installation en question. Préparer le plancher, ou construire une charpente pour une installation élevée.
- Utiliser le gabarit fourni avec la baignoire à hydromassage pour disposer et découper soigneusement le matériau brut de la plateforme. Pour les installations affleurantes, prévoir suffisamment d'épaisseur pour le matériau de la plateforme prévue.
- Positionner la plomberie. Boucher les alimentations et s'assurer de l'absence de fuites.

## 2. Préparer la baignoire à hydromassage

- Installer le drain sur la baignoire à hydromassage conformément aux instructions du fabricant du drain. Ne pas connecter le siphon pour l'instant.
- Placer une toile de protection propre ou un matériau similaire dans le fond de la baignoire à hydromassage. Veiller à ne pas rayer la surface de la baignoire à hydromassage.



Appliquer un boudin de mastic d'étanchéité à la silicone autour du rebord complet ou appliquer de l'adhésif de construction sur les blocs de support.



### 3. Fixer la baignoire à hydromassage sur le sous-plancher

**AVIS:** Ne pas soulever la baignoire à hydromassage par la tuyauterie ou les pompes et ne pas utiliser la tuyauterie ou les pompes comme support structurel de la baignoire à hydromassage.

- Choisir l'option d'installation qui s'applique le mieux à votre installation en particulier. Suivre les instructions appropriées.
- Si le sous-plancher n'est pas de niveau, caler la baignoire à hydromassage avec des blocs de support au besoin.

#### Option d'utilisation d'un lit de ciment ou de mortier

**REMARQUE:** Ne pas utiliser de plâtre dur ou un mélange pour cloison sèche pour cette application, car ces produits ne fournissent pas de scellement acceptable et durable.

- Étendre une couche de 2 po (51 mm) de ciment ou de mortier sur le sous-plancher à l'emplacement d'installation de la baignoire à hydromassage. Cela aidera à sécuriser, niveler et supporter l'unité. Nettoyer tout le matériau se trouvant sur les emplacements de commande de la pompe.

**REMARQUE:** Les commandes de la pompe (une fois que les sangles de retenue de la pompe ont été coupées) doivent reposer directement sur le sous-plancher.

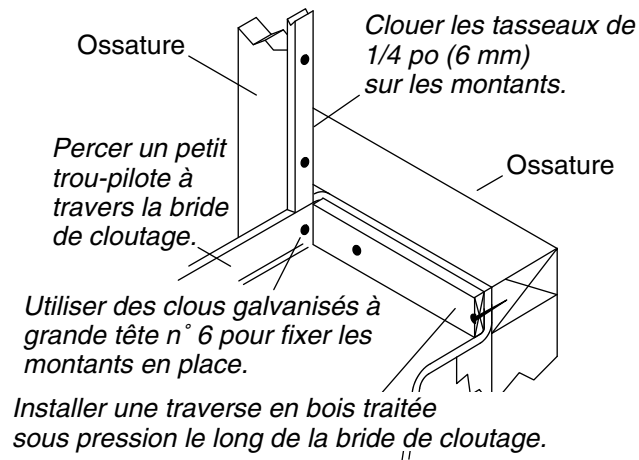
- Avec de l'aide, soulever la baignoire en place avec précaution et s'assurer que les commandes de la pompe ne reposent pas sur le matériau du lit.
- Insérer la pièce de raccordement de l'écoulement dans le siphon. S'assurer que la baignoire à hydromassage est de niveau et qu'elle repose sur tous les blocs de support.

#### Option pour l'utilisation d'un adhésif de construction

- Appliquer une quantité suffisante de colle mastic de bonne qualité sur la base des blocs de support. Avec de l'aide, lever la baignoire à hydromassage avec précaution pour la mettre en place.
- Insérer l'about du drain dans le siphon. S'assurer que la baignoire à hydromassage est de niveau et qu'elle repose sur tous les blocs de support.

#### Option pour utiliser du mastic d'étanchéité à la silicone à 100%

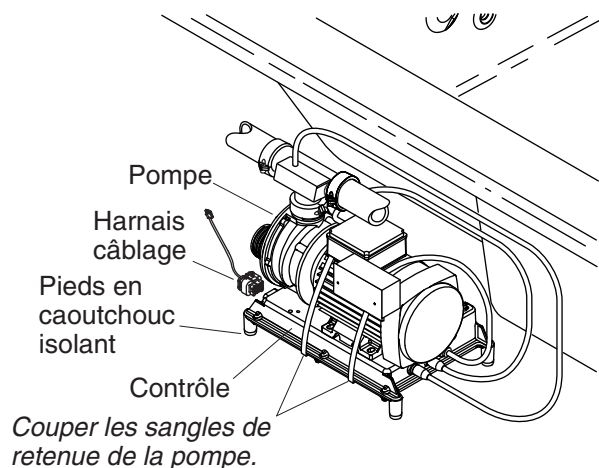
- Avec de l'aide, lever la baignoire à hydromassage avec précaution pour la mettre en place.
- Insérer l'about du drain dans le siphon. S'assurer que la baignoire à hydromassage est de niveau et qu'elle repose sur tous les blocs de support.
- Appliquer un boudin continu de mastic à la silicone à 100% autour de tout le rebord de la baignoire à hydromassage.



## 4. Fixer la baignoire à hydromassage sur le pan à colombages

### Option pour les modèles à brides incorporées

- Percer un petit trou-pilote à travers la bride de cloutage de chaque montant. Ajouter des cales entre la bride de cloutage et les montants au besoin pour éliminer tout espace.
- Clouer des fourrures de 1/4 po (6 mm) d'épaisseur sur les montants pour caler jusqu'au rebord de la bride de cloutage.
- Utiliser des clous galvanisés à grande tête n° 6 pour fixer la bride de cloutage sur les montants.
- Pour les installations de rebord de carrelage, dimensionner et installer une traverse en bois traitée par pression le long de la bride de cloutage. Prépercer des trous de cloutage à travers la traverse en bois et la bride de cloutage avant de fixer en place avec les clous galvanisés.



## 5. Couper les sangles de retenue de la pompe

**IMPORTANT!** Cette étape est nécessaire pour que la baignoire à hydromassage KOHLER fonctionne plus silencieusement.

- Utiliser des cisailles de ferblantier pour couper les deux sangles de retenue de pompe de chaque pompe de la baignoire à hydromassage.

**REMARQUE:** Ne pas soulever les pompes à un niveau supérieur à celui avant la coupure des sangles de retenue de la pompe. Si les pompes sont trop élevées, elle ne s'amorceront pas correctement. S'assurer que les pieds isolants en caoutchouc sont en place.

- Pour réduire le bruit et les vibrations de la baignoire à hydromassage, s'assurer que les pompes ne sont pas en contact direct avec la baignoire à hydromassage après avoir coupé les sangles de retenue des pompes. Les commandes de la pompe comprennent des pieds isolants en caoutchouc pour réduire le bruit de la pompe.

## 6. Installer la plomberie



**ATTENTION: Risque de dommages matériels.** Assurer un joint étanche à l'eau sur le drain de la baignoire à hydromassage.

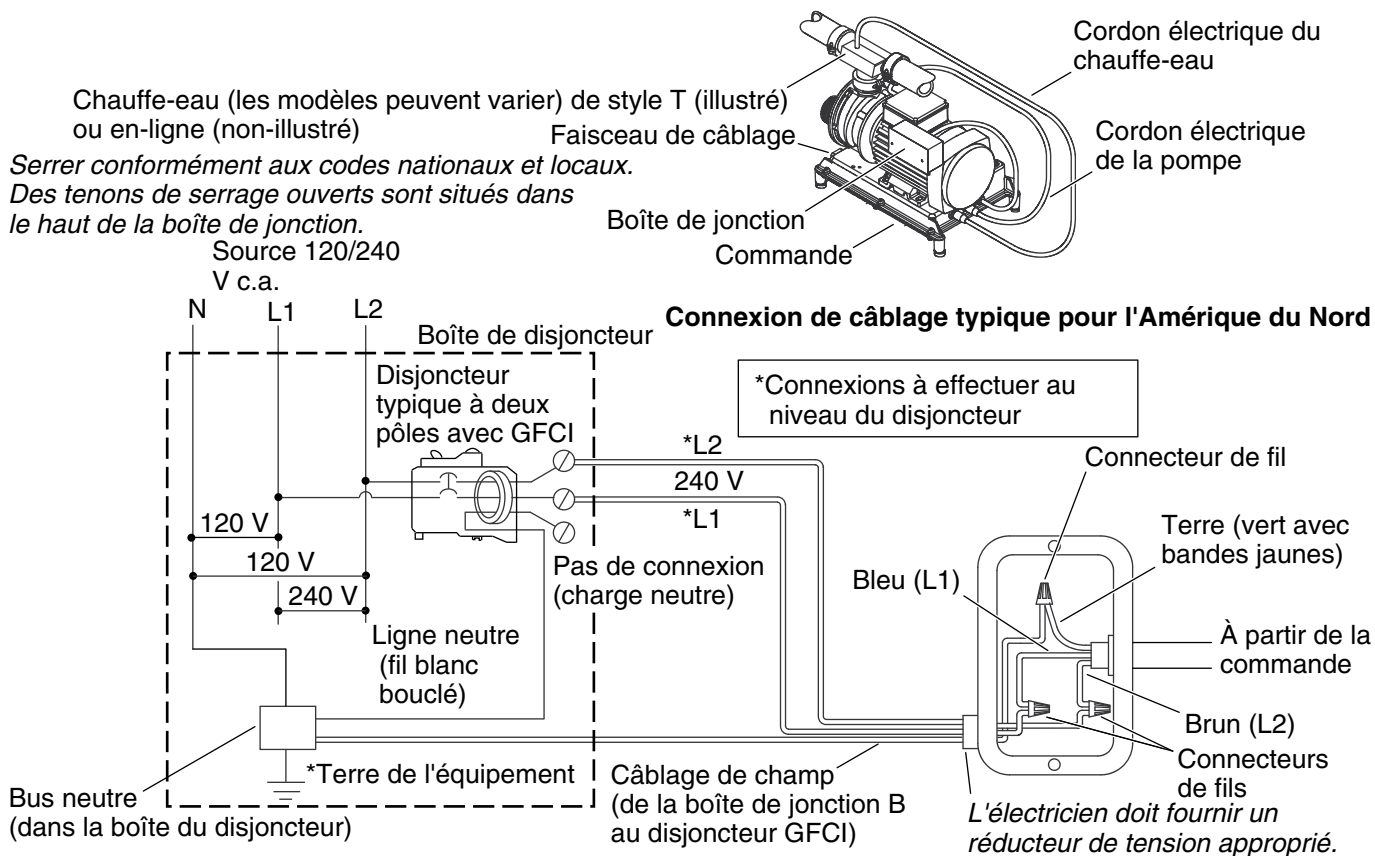
- Connecter le drain au siphon conformément aux instructions du fabricant du drain.

**AVIS:** Un panneau d'accès permet de simplifier les entretiens futurs.

- **K-1360 seulement :** Raccorder les conduites d'alimentation en eau chaude et froide aux robinets de remplissage intégraux conformément aux codes locaux. Un orifice supplémentaire est prépercé dans la coque de la baignoire pour la douche. Installer la douche maintenant. Raccorder l'extrémité du tuyau de douche à l'orifice libre du robinet coupleur (sous le rebord de baignoire). S'assurer que la tige du robinet coupleur est tournée à fond dans le sens des aiguilles d'une montre. Le robinet coupleur comprend un casse-vide intégral qui protège à la fois les becs de remplissage et la douche contre le refoulement d'eau.
- **K-1365 seulement :** Installer la robinetterie conformément aux instructions du fabricant du robinet. Raccorder la robinetterie aux orifices des remplissage de la baignoire à hydromassage (becs) conformément aux codes locaux.
- **Tous les modèles :** Ne pas installer la garniture du robinet avant d'en recevoir l'instruction. Ouvrir les alimentations en eau chaude et froide et inspecter les raccords d'alimentation pour y déceler des fuites éventuelles.
- Laisser couler l'eau dans la baignoire à hydromassage, puis inspecter les raccords du drain pour y déceler des fuites éventuelles.

### **Installer la plomberie (cont.)**

- Tourner la tige du robinet coupleur et inspecter les raccords de douche pour y déceler des fuites éventuelles.



## 7. Effectuer les connexions électriques

**REMARQUE:** Le numéro de modèle du produit est imprimé sur une étiquette placée du côté pompe de la baignoire à déversement. Cette étiquette identifie également les caractéristiques électriques de la baignoire à hydromassage. Ces baignoires à hydromassage sont équipées de deux boîtes de jonction et sont conçues pour fonctionner entre 208 et 240 V c.a., à 50 ou 60 Hz.



**AVERTISSEMENT: Risque de choc électrique.** S'assurer que l'alimentation électrique a été débranchée avant d'effectuer les procédures suivantes. Se référer à la section "Renseignements importants".



**AVERTISSEMENT: Risque de choc électrique.** Pour réduire le risque de choc électrique, raccorder la pompe à un disjoncteur de fuite de terre (GFCI) correctement mis à la terre. Le chauffe-eau doit également être raccorder à un disjoncteur de fuite de terre (GFCI) correctement mis à la terre. Cela fournira une mesure de protection supplémentaire contre le risque d'électrocution de tension phase-terre. Deux circuits dédiés de 208-240 V, 20 A, 50/60 Hz sont nécessaires.

**IMPORTANT!** La charge neutre n'est pas utilisée. Il ne devrait pas y avoir de connexion à la borne de charge neutre sur le disjoncteur de fuite de terre (GFCI). Le fil vert avec les bandes jaunes est la terre de l'équipement et doit être connecté sur le bus neutre dans la boîte du disjoncteur principal.

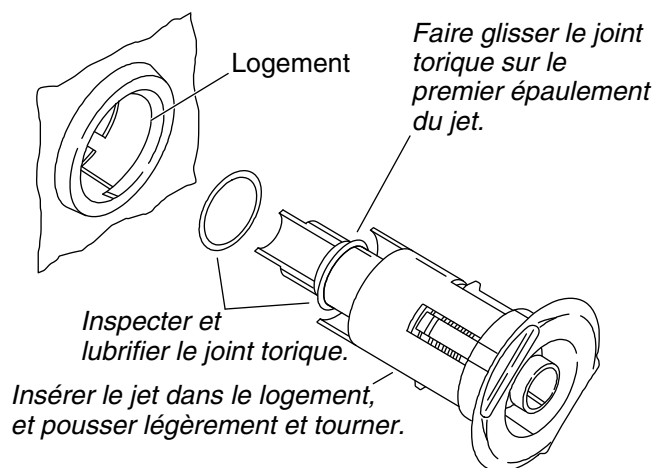
- La commande de la baignoire à hydromassage et le système ont été précâblés en usine. Un électricien agréé doit effectuer le raccordement normal de chacune des boîtes de jonction au réseau électrique.
- Raccorder les boîtes de jonction au réseau électrique. Les deux boîtes de jonction contiennent des fils de couleur bleue, marron et verte à rayure jaune.
- Respecter tous les codes électriques locaux. Relier conformément aux codes nationaux et locaux.

### **Effectuer les connexions électriques (cont.)**

- Un faisceau de câblage a été précâblé en usine et permet la communication entre le clavier, toutes les fonctionnalités, et la commande. Aucun câblage supplémentaire n'est nécessaire, mais s'assurer que tous les fils sont bien sécurisés.

**REMARQUE:** Le faisceau de câblage comprend une antenne pour la télécommande optionnelle. Ne pas modifier ni endommager cette antenne pendant l'installation.

\*Hors de l'Amérique du Nord, ce dispositif peut être connu sous le nom de dispositif à courant résiduel (RCD).



## 8. Installer la trousse de garniture de la baignoire à hydromassage

- Installer la trousse de garniture de la baignoire à hydromassage (si elle n'est pas installée à l'usine) conformément aux instructions qui accompagnent cette trousse. Observer avec attention les directives d'installation des jets ci-dessous - elles sont très importantes et sont incluses ici pour permettre de faire fonctionner les jets de manière uniforme, sans problème.

**REMARQUE:** Le joint torique du jet doit être positionné correctement, il doit être lubrifié et être en bon état pour permettre une rotation facile et un fonctionnement adéquat du jet.

- Poser le joint torique sur le **premier épaulement** du jet. Lubrifier le joint torique avec du lubrifiant à la silicone afin d'éviter un fonctionnement bruyant du jet.
- Insérer avec précaution le jet dans le logement, puis pousser légèrement sur le jet et tourner celui-ci jusqu'à ce qu'il s'enclenche en place. **Ne pas forcer le jet.**

**REMARQUE:** Lorsqu'il est installé correctement, le jet devrait pouvoir tourner sans difficulté dans le sens des aiguilles d'une montre et dans le sens contraire.

## 9. Effectuer un essai de fonctionnement de la baignoire à hydromassage

- Vérifier toutes les connexions électriques, puis vérifier que tous les raccords sur les pompes et le chauffe-eau sont bien serrés à la main.
- Vérifier que les deux ensembles de bandes de retenue des pompes ont été coupés et que les commandes de la pompe reposent directement sur le sous-plancher. S'assurer que les pieds isolants en caoutchouc sont en place.
- Mettre la baignoire à hydromassage sous tension électrique.
- Remplir la baignoire à hydromassage jusqu'aux capteurs de niveau d'eau se trouvant sur chaque côté de la baignoire.
- Faire fonctionner la baignoire à hydromassage pendant 5 minutes (se référer à la section « Séquence de fonctionnement »).
- S'assurer de l'absence de fuites en provenance des raccords de la tuyauterie à l'arrière de la baignoire à hydromassage.
- Mettre en marche chaque option de la baignoire à hydromassage et en vérifier le bon fonctionnement. Rechercher des fuites d'eau sur l'arrière de la baignoire à hydromassage.
- Le cas échéant, mettre le cycle de chromothérapie en marche et le laisser passer par le cycle de huit couleurs; blanc, violet, bleu indigo, bleu aqua, vert, jaune, orange et rouge. Le cycle des huit couleurs dure à peu près 1 minute.



### **Effectuer un essai de fonctionnement de la baignoire à hydromassage (cont.)**

- Vérifier ces fonctions en utilisant la télécommande. Se référer à la section « Fonctionnement de la télécommande ».

**REMARQUE:** Pour plus d'information concernant le fonctionnement de la baignoire à hydromassage, consulter la section « Confirmer le bon fonctionnement » de ce guide.

*Appliquer du mastic d'étanchéité à la silicone sur le matériau pour mur hydro-résistant et le mur fini.*

Baignoire à hydromassage

*Installer le matériau du mur fini.*

### **Installation à encastrer par le dessus**

*Installer d'abord le matériau pour mur hydro-résistant.*

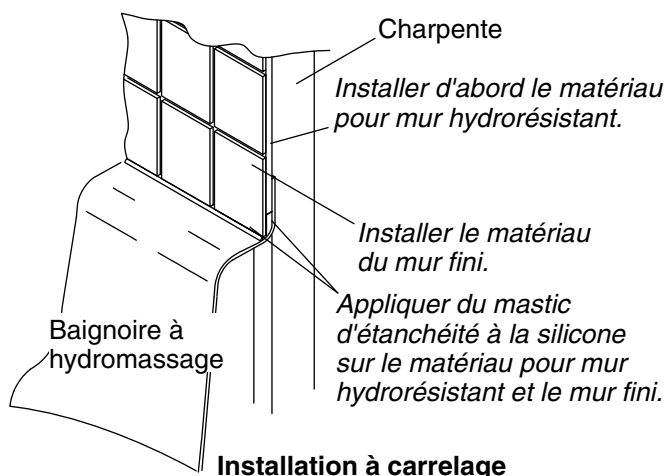
*Appliquer du mastic d'étanchéité à la silicone sur le matériau pour mur hydro-résistant et le mur fini.*

Baignoire à hydromassage

*Installer le matériau du mur fini.*

**Installation affleurante**

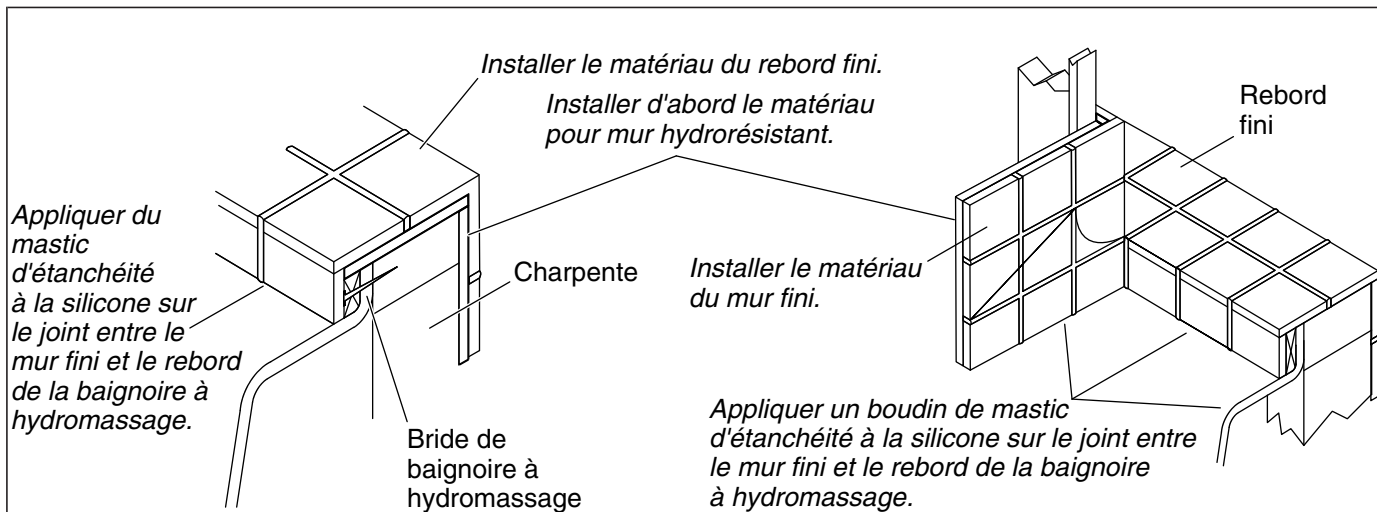
*Installer d'abord le matériau pour mur hydro-résistant.*



## **10. Terminer le mur fini**

### **Installation à encastrer par le dessus, en position affleurante et à ras du carrelage**

- Si cela n'a pas encore été effectué, retirer soigneusement la pellicule de protection recouvrant le rebord de la baignoire à hydromassage.
- Recouvrir la charpente avec un matériau hydro-résistant pour mur. Sceller les joints entre le rebord de la garniture de la baignoire à hydromassage et le matériau hydro-résistant pour mur avec du mastic d'étanchéité à la silicone.
- Poser du ruban et enduire le matériau hydro-résistant pour mur. Installer le mur fini sur le matériau hydro-résistant pour mur. Sceller les joints entre le rebord de la baignoire à hydromassage et le matériau du mur fini avec du mastic d'étanchéité à la silicone.
- Installer la garniture du robinet en suivant les instructions accompagnant celle-ci.



## 11. Terminer le mur fini - Suite

### Installation de rebord à carrelage

- Si cela n'a pas encore été effectué, retirer soigneusement la pellicule de protection recouvrant le rebord de la baignoire à hydromassage.
- Recouvrir la charpente avec un matériau pour mur hydro-résistant.
- Poser du ruban et enduire le matériau hydro-résistant pour mur. Installer le mur fini sur le matériau hydro-résistant pour mur. Sceller les joints entre le rebord de la baignoire à hydromassage et le matériau du mur fini avec du mastic d'étanchéité à la silicone.

**REMARQUE:** La zone exposée du rebord de la baignoire à hydromassage ne doit pas mesurer moins de 37-5/8 po (956 mm) x 72 po (1829 mm) pour que les coussins puissent s'adapter de manière appropriée.

- Installer la garniture du robinet en suivant les instructions accompagnant celle-ci.
- Installer les rails d'appui selon les instructions d'installation qui les accompagnent.

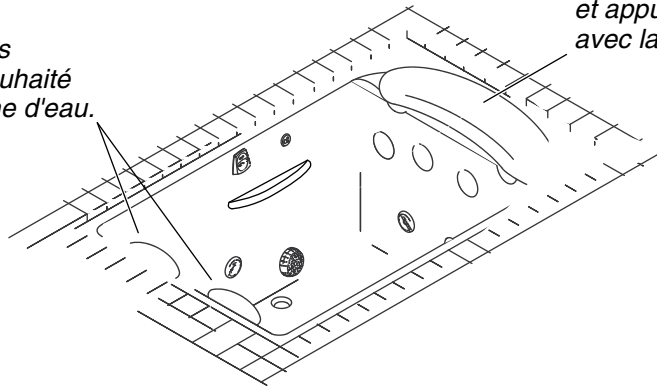
## 12. Terminer l'installation du béton

- Si cela n'a pas encore été effectué, retirer soigneusement la pellicule de protection recouvrant le rebord de la baignoire à hydromassage.
- Appliquer le mortier et le carrelage sur le mur, la plateforme et le matériau d'encadrement au besoin.
- Appliquer un boudin de mastic d'étanchéité à l'emplacement où le carrelage entre en contact avec la surface de la baignoire à hydromassage.
- Installer la garniture du robinet en suivant les instructions accompagnant celle-ci.

## 13. Nettoyer après l'installation

- Lors du nettoyage après l'installation, **ne pas utiliser de nettoyeurs abrasifs**, vu que ceux-ci risqueraient de rayer et d'abîmer la surface de la baignoire à hydromassage. Si nécessaire, utiliser de l'eau chaude et un détergent liquide pour nettoyer la surface de la baignoire à hydromassage, le clavier utilisateur et la télécommande.
- Éliminer les taches résistantes, la peinture, ou le goudron avec de l'essence de térébenthine ou un diluant pour peinture. **Ne pas laisser de nettoyeurs à base de distillats de pétrole rester en contact avec les surfaces de la baignoire à hydromassage pendant une longue période.** Retirer le plâtre en raclant avec précaution avec une lame en bois. Ne pas utiliser des grattoirs en métal, des brosses métalliques ou d'autres outils en métal. Utiliser un détergent en poudre sur un chiffon humide pour fournir une action abrasive légère sur les résidus de plâtre.

*Positionner les petits coussins comme souhaité au-dessus de la ligne d'eau.*



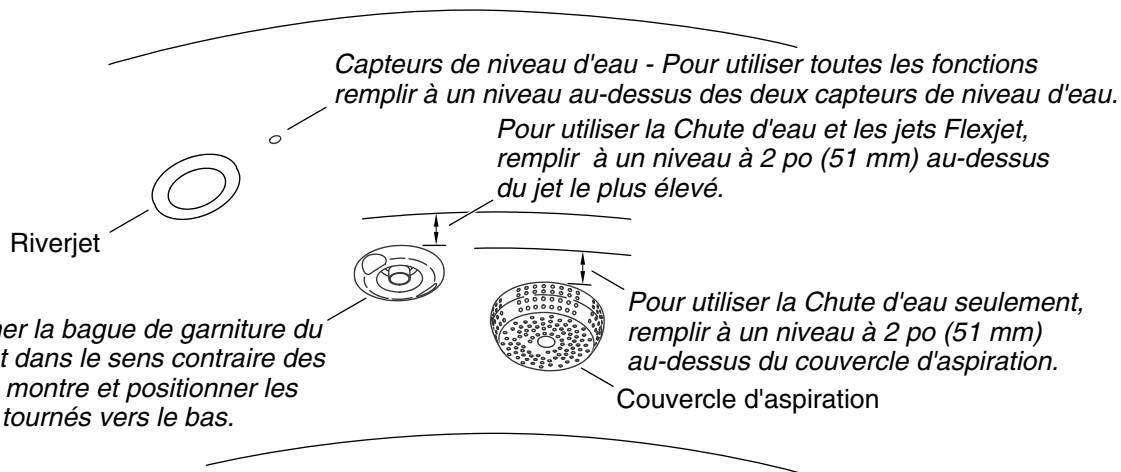
*Positionner le grand coussin sur le rebord de la baignoire à hydromassage, et appuyer fermement vers le bas avec la main.*

## 14. Installer les coussins amovibles

**AVIS:** Ne pas submerger les coussins dans l'eau et ne pas les utiliser comme sièges.

**REMARQUE:** Pour une meilleure fixation à la surface de la baignoire à hydromassage, humecter la surface arrière des coussins aux emplacements des ventouses.

- Éliminer toute trace de savon ou d'huiles de la surface de la baignoire à hydromassage. Des ventouses sont en place sur la face arrière des coussins. Placer le grand coussin à l'endroit qui convient sur le rebord de la baignoire à hydromassage et appuyer fermement au niveau des ventouses avec le talon de la main. Placer les petits coussins aux endroits souhaités au-dessus de la ligne d'eau en appuyant fermement avec le talon de la main. Vérifier que les coussins sont bien attachés sur la baignoire à hydromassage.
- Détacher les coussins en les soulevant de la surface de la baignoire à hydromassage.



## 15. Confirmer le bon fonctionnement

### Remplir la baignoire à hydromassage

**REMARQUE:** Lire ces étapes avec attention avant de faire fonctionner la baignoire à hydromassage.

- Tourner les bagues de garniture des jets entièrement dans le sens contraire des aiguilles d'une montre. Orienter les gicleurs des jets vers le fond de la cuve.

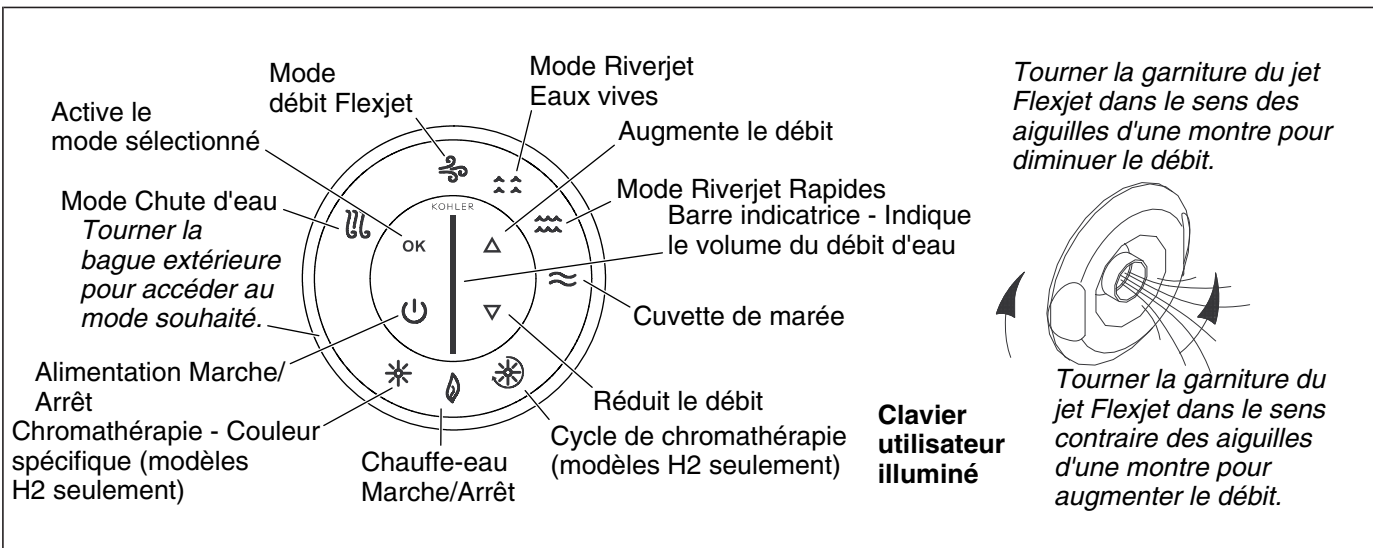
**REMARQUE:** Pour l'utilisation du mode Chute d'eau seulement (pas les jets Flexjet ou Riverjet), il suffit de remplir la cuve de la baignoire à hydromassage jusqu'à un niveau de 2 po (51 mm) environ au-dessus de la partie supérieure des couvercles d'aspiration.

**REMARQUE:** Pour le mode Chute d'eau ou les jets Flexjet (pas les jets Riverjet), il suffit de remplir la cuve de la baignoire à hydromassage jusqu'à un niveau de 2 po (51 mm) environ au-dessus du jet Flexjet le plus élevé.

- **Pour utiliser toutes les fonctions :** Remplir la baignoire à hydromassage à un niveau au-dessus des capteurs de niveau d'eau de chaque côté des jets Riverjet.

**REMARQUE:** Les jets Riverjet fonctionnent seulement si les deux capteurs de niveau d'eau sont complètement recouverts d'eau. Si le niveau de l'eau descend au-dessus des capteurs, les jets Riverjet s'arrêtent automatiquement et les jets Flexjet se mettent en marche. Les jets Riverjet et Flexjet ne fonctionnent pas en même temps.

**REMARQUE:** La température de l'eau de la baignoire à hydromassage ne doit pas dépasser 104°F (40°C). Le chauffe-eau s'arrête automatiquement lorsque la température de l'eau s'approche de 104°F (40°C) et il restera éteint jusqu'à ce que l'eau se soit refroidie.



## Séquence de fonctionnement

**REMARQUE:** Un chauffe-eau intégré aide à maintenir automatiquement la température de l'eau lorsque la baignoire à hydromassage fonctionne, tant que la température de l'eau ne dépasse pas 104°F (40°C). Le chauffe-eau se coupe à des températures plus élevées.

**IMPORTANT!** Consulter le guide du propriétaire pour des instructions plus détaillées sur le clavier utilisateur et la télécommande.

**REMARQUE:** Cette baignoire utilise deux pompes. L'une des pompes alimente la cascade et l'autre propulse l'eau à travers les jets Flexjet et Riverjet.

- **Pour mettre la baignoire à hydromassage en marche :** Appuyer sur la touche Marche/Arrêt ou tourner la bague extérieure pour accéder au mode souhaité, tel que décrit ci-dessous.
- **Pour accéder au mode souhaité :** Tourner la bague extérieure jusqu'à ce que le bouton clignote en bleu. Appuyer sur « OK » pour activer le mode. Le mode activé clignote en vert. Pour arrêter un mode, tourner la bague extérieure jusqu'à ce que le bouton clignote en bleu et appuyer de nouveau sur « OK ». Vérifier chacune des fonctions indiquées ci-dessous.
- **Chute d'eau :** Lorsque cette fonction est activée, la Chute d'eau commence à s'écouler à un volume moyen au bout de quelques secondes. Le mode Chute d'eau n'est pas chauffé. Augmenter ou diminuer le débit de l'eau en appuyant sur les flèches vers le haut ou vers le bas du clavier. Une barre indicatrice située au centre du clavier indique le volume du débit d'eau. Le mode Chute d'eau peut être utilisé seul ou avec l'un des modes suivants : jets Flexjet, Eaux vives ou Rapides.
- **Jets Flexjet :** Lorsqu'ils sont activés, les jets Flexjet situés plus bas dans la baignoire à hydromassage que les jets Riverjet, démarrent immédiatement à un volume moyen. Augmenter ou diminuer le débit de l'eau en appuyant sur les flèches vers le haut ou vers le bas du clavier. Une barre indicatrice située au centre du clavier indique le volume du débit d'eau.
- **Eaux vives :** Le mode Eaux vives active les deux jets Riverjet extérieurs derrière la nuque à un volume moyen. Augmenter ou diminuer le débit de l'eau en appuyant sur les flèches vers le haut ou vers le bas du clavier. Une barre indicatrice située au centre du clavier indique le volume du débit d'eau.
- **Rapides :** Le mode Rapides active les quatre jets Riverjet derrière la nuque à un volume moyen. Augmenter ou diminuer le débit de l'eau en appuyant sur les flèches vers le haut ou vers le bas du clavier. Une barre indicatrice située au centre du clavier indique le volume du débit d'eau.
- **Cuvette de marée :** Cette fonction coupe le débit d'air vers les jets pour produire un effet relaxant et apaisant. La fonction Cuvette de marée peut être utilisée à tout moment, quels que soient les jets activés. Le mode Cuvette de marée est sans effet sur la Chute d'eau.

**REMARQUE:** Une certaine quantité d'air peut sortir d'un ou de plusieurs jets sur une courte durée après l'activation de la fonction Cuvette de marée.

## Séquence de fonctionnement (cont.)

- **Chauffe-eau** : Le chauffe-eau intégré aide à maintenir automatiquement la température de l'eau lorsque l'un des jets est activé, tant que la température de l'eau ne dépasse pas 104°F (40°C). Le chauffe-eau peut être coupé à tout moment pendant le fonctionnement des pompes en tournant la bague extérieure jusqu'à ce que le bouton du chauffe-eau clignote puis en appuyant sur « OK ». Appuyer de nouveau sur « OK » pour remettre le chauffe-eau en marche.
- Ce système de jets de la baignoire à hydromassage ajoute de l'air à l'écoulement d'eau (s'il n'est pas en mode Cuvette de marée) pour augmenter la force du débit d'eau. Réduire la force du débit d'eau de la baignoire à hydromassage en tournant les bagues de garniture des jets de la baignoire à hydromassage dans le sens des aiguilles d'une montre jusqu'à obtenir la force d'eau souhaitée. Tourner les bagues de garniture dans le sens contraire des aiguilles d'une montre pour augmenter la force du débit d'eau.
- Appuyer sur la touche Marche/Arrêt pour arrêter la baignoire à hydromassage.

**REMARQUE:** Un minuteur intégré arrête automatiquement la pompe et le moteur après environ 20 minutes de fonctionnement.

## 16. Fonctionnement avec chromathérapie

### Seulement sur les modèles H2 avec cette fonction

**REMARQUE:** La chromathérapie peut être utilisée avec tous les modes de fonctionnement. La chromathérapie peut aussi être utilisée lorsque les pompes ne sont pas en marche.

- **Cycle de chromathérapie** : Quand ce mode est activé, les lampes de chromathérapie vont automatiquement et continuellement passer par le cycle de huit couleurs; blanc, violet, bleu indigo, bleu aqua, vert, jaune, orange et rouge. Un cycle des huit couleurs dure à peu près une minute. Tourner la bague extérieure pour sélectionner ce mode et appuyer sur « OK » pour l'activer. Appuyer sur « OK » lorsque le mode de chromathérapie est activé pour éteindre les lampes.
- **Sélection de couleur de chromathérapie spécifique** : Lorsque ce mode est activé, l'utilisateur peut sélectionner une couleur spécifique pour le bain. Tourner la bague extérieure pour sélectionner ce mode, appuyer sur « OK » pour l'activer et utiliser les flèches vers le haut/vers le bas pour obtenir la couleur souhaitée. Appuyer sur « OK » lorsque le mode de chromathérapie est activé pour éteindre les lampes.

## 17. Fonctionnement de la télécommande

**REMARQUE:** Se référer au guide du propriétaire pour obtenir des instructions détaillées sur la télécommande.

- La télécommande met les fonctions de la baignoire à hydromassage à portée de main. L'accès et la modification des modes/fonctionnalités sont possibles à partir de la télécommande. La télécommande étanche est conçue pour être utilisée dans le bain, et flottera sur l'eau. La télécommande utilise deux piles AAA.
- Le bouton de sélection de mode fonctionne de la même manière que la bague extérieure. Lorsque l'on appuie sur « M », un des modes clignote sur le clavier utilisateur. Si l'on appuie de nouveau sur « M », le mode suivant dans le sens des aiguilles d'une montre clignote. Lorsque le mode souhaité clignote, appuyer sur « OK » pour l'activer.
- Lorsque le mode Flexjet, Chute d'eau, Eaux vives ou Rapides est activé, les flèches permettent d'augmenter ou de réduire le volume du débit d'eau.

## Procédures de dépannage

**AVIS:** Cette section est seulement destinée à une aide d'ordre général. Un représentant du service agréé Kohler Co. ou un électricien qualifié doit rectifier tous les problèmes électriques. Pour un service de garantie, appeler le 1-800-4KOHLER à partir des É.-U. et du Canada, ou le 001-800-456-4537 à partir du Mexique.

**REMARQUE:** Hors de l'Amérique du Nord, le dispositif GFCI pourrait être connu sous le nom de dispositif à courant résiduel (RCD).

### Dépannage du système de la baignoire à hydromassage

| Symptômes  | Causes probables  | Action recommandée   |
|--|---|--|
| 1. Le clavier utilisateur ne s'illumine pas quand on appuie sur le bouton Marche/Arrêt ou quand la bague extérieure est tournée. | <p>A. Commande non alimentée.</p> <p>B. GFCI déclenché.</p> <p>C. Le faisceau de câblage entre le clavier utilisateur et la commande est desserré, débranché ou endommagé.</p> <p>D. Le clavier utilisateur ne fonctionne pas.</p> <p>E. La commande ne fonctionne pas.</p> | <p>A. Vérifier le câblage et raccorder l'alimentation électrique.</p> <p>B. Réarmer le GFCI.</p> <p>C. Inspecter le câblage pour vérifier si les connexions sont adéquates. Remplacer le faisceau de câblage si nécessaire.</p> <p>D. Remplacer le clavier utilisateur.</p> <p>E. Remplacer la commande.</p> |
| 2. Le moteur démarre, mais certains jets ne fonctionnent pas.  | <p>A. Jet fermé.</p> <p>B. Le jet n'est pas installé correctement.</p> <p>C. Jets obstrués.</p>   | <p>A. Tourner la bague du jet dans le sens contraire des aiguilles d'une montre pour ouvrir.</p> <p>B. Réinstaller le jet; inspecter le joint torique pour y déceler des dommages éventuels.</p> <p>C. Éliminer l'obstruction.</p>   |
| 3. Le clavier utilisateur est illuminé, mais il ne répond pas aux boutons ou à la bague extérieure.                              | <p>A. Le programme de commande est verrouillé.</p> <p>B. Le faisceau de câblage entre le clavier utilisateur et la commande est desserré, débranché ou endommagé.</p> <p>C. Le clavier utilisateur ne fonctionne pas.</p> <p>D. La commande ne fonctionne pas.</p>          | <p>A. Réarmer le GFCI.</p> <p>B. Inspecter le câblage pour vérifier que les connexions sont adéquates. Remplacer le faisceau de câblage si nécessaire.</p> <p>C. Remplacer le clavier utilisateur.</p> <p>D. Remplacer la commande.</p>  |
| 4. La barre indicatrice du clavier ne cesse de défiler au démarrage.   | <p>A. Le programme de commande est verrouillé.</p> <p>B. Le faisceau de câblage entre le clavier utilisateur et la commande est desserré, débranché ou endommagé.</p> <p>C. Le clavier utilisateur ne fonctionne pas.</p> <p>D. La commande ne fonctionne pas.</p>          | <p>A. Réarmer le GFCI.</p> <p>B. Inspecter le câblage pour vérifier que les connexions sont adéquates. Remplacer le faisceau de câblage si nécessaire.</p> <p>C. Remplacer le clavier utilisateur.</p> <p>D. Remplacer la commande.</p>  |
| 5. Le clavier est illuminé, mais la pompe de démarre pas.  | <p>A. Le cordon d'alimentation entre la pompe et la commande est desserré, débranché ou endommagé.</p>  | <p>A. Vérifier les connexions du câblage.</p>  |



## Procédures de dépannage (cont.)

| Symptômes  | Causes probables   | Action recommandée  |
|--|--|---|
|  | <p><b>B.</b> La pompe ne fonctionne pas.</p> <p><b>C.</b> La commande ne fonctionne pas.</p>   | <p><b>B.</b> Remplacer la pompe.</p> <p><b>C.</b> Remplacer la commande.</p>  |
| <p><b>6.</b> Le moteur fonctionne mais la pompe ne s'amorce pas (cavitation).</p>  | <p><b>A.</b> La pompe est placée trop haut.</p> <p><b>B.</b> Petite fuite d'air à l'entrée de la pompe.</p> <p><b>C.</b> Le moteur/la pompe ne fonctionne pas.</p> <p><b>D.</b> La commande ne fonctionne pas.</p>                               | <p><b>A.</b> Abaisser la pompe/commande au niveau du sous-plancher.</p> <p><b>B.</b> Bien serrer l'écrou ou les écrous sur le côté admission de la pompe.</p> <p><b>C.</b> Remplacer le moteur/la pompe.</p> <p><b>D.</b> Remplacer la commande.</p>                            |
| <p><b>7.</b> Débit d'eau des orifices de remplissage doubles faible ou insuffisant.</p>  | <p><b>A.</b> Conduites d'alimentation en eau obstruées.</p> <p><b>B.</b> Robinet coupleur pas complètement ouvert.</p>   | <p><b>A.</b> Éliminer l'obstruction.</p> <p><b>B.</b> Tourner la poignée du robinet coupleur.</p>   |
| <p><b>8.</b> Débit d'eau du mode Chute d'eau faible ou insuffisant.</p>  | <p><b>A.</b> Aspiration ou faisceau obstrués.</p> <p><b>B.</b> La pompe ne fonctionne pas.</p> <p><b>C.</b> La commande ne fonctionne pas.</p>   | <p><b>A.</b> Éliminer l'obstruction.</p> <p><b>B.</b> Remplacer la pompe.</p> <p><b>C.</b> Remplacer la commande.</p>   |
| <p><b>9.</b> Les jets Flexjet fonctionnent, mais les jets Riverjet ne fonctionnent pas comme décrit.</p>                                       | <p><b>A.</b> Pas assez d'eau dans la cuve de la baignoire à hydromassage.</p> <p><b>B.</b> Le clavier utilisateur ne fonctionne pas.</p> <p><b>C.</b> La vanne à papillon ne fonctionne pas.</p> <p><b>D.</b> La commande ne fonctionne pas.</p> | <p><b>A.</b> Remplir la baignoire à hydromassage de telle manière que l'eau couvre les capteurs de niveau.</p> <p><b>B.</b> Remplacer le clavier utilisateur.</p> <p><b>C.</b> Inspecter le câblage. Remplacer la vanne à papillon.</p> <p><b>D.</b> Remplacer la commande.</p> |
| <p><b>10.</b> Les flèches de commande vers le haut/vers le bas ne modifient pas le débit d'eau comme décrit.</p>                               | <p><b>A.</b> Le clavier utilisateur ne fonctionne pas.</p> <p><b>B.</b> La pompe ne fonctionne pas.</p> <p><b>C.</b> La commande ne fonctionne pas.</p>  | <p><b>A.</b> Inspecter le câblage. Remplacer le clavier utilisateur.</p> <p><b>B.</b> Inspecter le câblage. Remplacer la pompe.</p> <p><b>C.</b> Inspecter le câblage. Remplacer la commande.</p>   |
| <p><b>11.</b> L'écoulement d'air à travers les jets ne s'arrête pas lorsque le mode Cuvette de marée est activé.</p>                           | <p><b>A.</b> Le clavier utilisateur ne fonctionne pas.</p> <p><b>B.</b> La vanne à papillon ne fonctionne pas.</p> <p><b>C.</b> La commande ne fonctionne pas.</p>   | <p><b>A.</b> Remplacer le clavier utilisateur.</p> <p><b>B.</b> Inspecter le câblage. Remplacer la vanne à papillon.</p> <p><b>C.</b> Inspecter le câblage. Remplacer la commande.</p>  |
| <p><b>12.</b> L'air continue de s'écouler par un ou plusieurs jets pendant plusieurs secondes après l'activation du mode Cuvette de marée.</p> | <p><b>A.</b> Fonctionnement normal - l'écoulement d'air cesse au bout d'une courte durée.</p>  | <p><b>A.</b> Aucune action nécessaire.</p>  |

## Procédures de dépannage (cont.)

| Symptômes   | Causes probables  | Action recommandée   |
|---|---|--|
| 13. La pompe s'arrête avant 18 minutes.   | <p>A. GFCI déclenché.</p> <p>B. L'aspiration est obstruée.</p> <p>C. Jets obstrués.</p> <p>D. Surchauffe du moteur et système de protection activé.</p>   | <p>A. Identifier l'origine du problème, puis y remédier. Réarmer le GFCI.</p> <p>B. Éliminer l'obstruction.</p> <p>C. Éliminer l'obstruction.</p> <p>D. Voir s'il y a une obstruction au niveau de l'aspiration et/ou des jets. Éliminer l'obstruction et laisser le moteur refroidir.</p> |
| 14. La pompe ne s'arrête pas automatiquement au bout de 22 minutes.                             | A. Minuterie de 20 minutes désactivée par inadvertance.   | A. Consulter le manuel d'entretien.  |
| 15. La pompe ne s'arrête pas quand on appuie sur le bouton Marche/Arrêt du clavier utilisateur. | <p>A. Le clavier utilisateur ne fonctionne pas.</p> <p>B. La commande ne fonctionne pas.</p>  | <p>A. Remplacer le clavier utilisateur.</p> <p>B. Remplacer la commande.</p>   |
| 16. La pompe fonctionne, mais la fonction de vitesse variable ne fonctionne pas.                | <p>A. Le moteur/la pompe ne fonctionne pas.</p> <p>B. La commande ne fonctionne pas.</p>  | <p>A. Remplacer le moteur/la pompe.</p> <p>B. Remplacer la commande.</p>   |
| 17. L'eau de la baignoire se refroidit alors que la pompe est en marche.                        | <p>A. La température de l'eau dépasse 104°F (40°C).</p> <p>B. Le chauffe-eau est arrêté sur le clavier utilisateur.</p> <p>C. Le câblage entre le chauffe-eau et la commande est desserré, débranché ou endommagé.</p> <p>D. Le chauffe-eau ne fonctionne pas.</p> <p>E. La commande ne fonctionne pas.</p> | <p>A. Laisser l'eau du bain refroidir.</p> <p>B. Mettre le chauffe-eau en marche.</p> <p>C. Inspecter le câblage pour vérifier si les connexions sont adéquates.</p> <p>D. Remplacer le chauffe-eau.</p> <p>E. Remplacer la commande.</p>  |
| 18. Fonctionnement bruyant.   | <p>A. Les sangles de retenue de la pompe n'ont pas été coupées.</p> <p>B. Joint torique de jet sec ou délogé (crissement).</p>  | <p>A. Couper les sangles de retenue de la pompe avec des cisailles de ferblantier.</p> <p>B. Retirer le jet, remplacer et lubrifier le joint torique et réinstaller le jet.</p>  |
| 19. La télécommande (si présente) ne fonctionne pas.  | <p>A. Les piles sont mal installées ou déchargées.</p> <p>B. L'antenne sur le faisceau de câblage est endommagée.</p> <p>C. La télécommande n'est pas programmée correctement.</p> <p>D. La télécommande ne fonctionne pas.</p> <p>E. La commande ne fonctionne pas.</p>                                    | <p>A. Remplacer les piles.</p> <p>B. Remplacer le faisceau de câblage.</p> <p>C. Consulter le guide du propriétaire ou le manuel d'entretien.</p> <p>D. Remplacer la télécommande.</p> <p>E. Remplacer la commande.</p>  |

### Dépannage des lampes de chromothérapie - Modèles H2 seulement

## Procédures de dépannage (cont.)

| Symptômes   | Causes probables  | Action recommandée  |
|---|---|---|
| 20. Les lampes de chromathérapie ne fonctionnent pas. | <b>A.</b> Le câblage ou les connexions sont desserrés, déconnectés ou endommagés.<br><b>B.</b> La commande ne fonctionne pas. | <b>A.</b> Vérifier les connexions du câblage. Remplacer le câblage si nécessaire.<br><b>B.</b> Remplacer la commande. |

# Guía de instalación

## Bañera de hidromasaje cuadrangular

### Información importante



**ADVERTENCIA:** Al usar aparatos eléctricos siempre cumpla las precauciones básicas, como las siguientes:



**PELIGRO: Riesgo de lesiones personales o ahogamiento.** Este aparato no está diseñado para ser usado por personas con habilidades físicas, sensoriales o mentales disminuidas, o con falta de experiencia y conocimientos. Los niños deben ser supervisados para asegurar que no jueguen con este aparato.



**PELIGRO: Riesgo de sacudidas eléctricas.** Solamente conecte a un circuito protegido por un interruptor de circuito con pérdida a tierra (GFCI)\*.

El material de construcción y el cableado se deben colocar lejos del cuerpo de la bomba y de otros componentes que producen calor.

Instale de manera que quede acceso para dar servicio.

El compartimiento de cables incluye un conector a presión marcado "Earth/Ground" (tierra). Para reducir el riesgo de que se produzca una sacudida eléctrica, conecte este conector al terminal de tierra de su tablero eléctrico o al panel de suministro eléctrico con un cable de cobre del tamaño equivalente al conductor del circuito que alimenta este equipo.

Se incluyen conectores a presión en el exterior de la caja de empalmes o del control dentro de esta unidad para permitir la conexión de un conductor equipotencial entre esta unidad y todo el metal expuesto en la cercanía, lo que sea necesario para cumplir los requisitos locales.

El compartimiento de cables tiene un terminal de conexión a tierra para el equipo. Para reducir el riesgo de sacudidas eléctricas, este terminal se debe conectar a la conexión a tierra provista en el panel de suministro eléctrico con un conductor del tamaño equivalente al de los conductores del circuito que alimentan este equipo.

**Se requiere conexión a tierra.** Un representante autorizado de servicio debe instalar esta unidad y conectarla a tierra.



**ADVERTENCIA: Riesgo de lesiones personales o de daños a la propiedad.** Antes de comenzar la instalación, lea atentamente todas las instrucciones además de los requisitos detallados a continuación.



**ADVERTENCIA: Riesgo de sacudidas eléctricas.** Un electricista capacitado debe hacer todas las conexiones eléctricas.



**ADVERTENCIA: Riesgo de sacudidas eléctricas.** Desconecte el suministro eléctrico antes de dar servicio.



**ADVERTENCIA: Riesgo de lesiones personales.** Las piezas con corriente eléctrica, excepto las que se suministran con voltaje muy bajo que no exceda 12 V, deben quedar inaccesibles a la persona en la bañera de hidromasaje.

**AVISO: Cumpla todos los códigos locales de electricidad y de plomería.** En Canadá, instale la unidad conforme al Código Eléctrico Canadiense, Parte 1.

\*Fuera de Estados Unidos es posible que este dispositivo se conozca como dispositivo de corriente residual (RCD).

## Información importante (cont.)

### Información sobre el producto

#### Requisitos eléctricos

La instalación debe contar con 2 interruptores de circuito con pérdida a tierra (GFCI) Clase A. El GFCI protege contra el peligro de sacudida eléctrica de línea a tierra. **Utilice dos circuitos dedicados de 220-240 V, 20 A, 50/60 Hz; uno para cada sistema de bomba/control/calentador.**

#### Avisos sobre el producto



**ADVERTENCIA:** Las modificaciones no autorizadas pueden causar que la bañera de hidromasaje funcione de manera peligrosa y que tenga bajo rendimiento. No cambie la ubicación de las bombas de la bañera de hidromasaje, ni haga otras modificaciones en el sistema de hidromasaje, ya que esto podría tener un efecto adverso en el rendimiento y en el funcionamiento seguro de la bañera de hidromasaje. Kohler Co. no será responsable bajo su garantía, o de ninguna otra forma, de lesiones personales o daños provocados por modificaciones no autorizadas.

#### Características

Los componentes incluyen 2 bombas, 2 controles, un calentador, la cascada, jets Flexjets y Riverjets, luces de cromoterapia (solo el modelo H2), válvula de llenado integral (solo K-1360), y un teclado iluminado con control remoto.

#### Acceso de servicio y a las conexiones

Antes de instalar, asegúrese de que el acceso a las conexiones finales sea adecuado.

## Información sobre el producto (cont.)

**AVISO:** Provea amplio acceso de servicio sin restricciones a las bombas. Se debe proveer un panel de acceso de 36" (914 mm) de ancho x 20" (508 mm) de alto como mínimo para dar servicio a las bombas y los controles. El acceso se debe ubicar inmediatamente junto de las bombas.

## Contenido

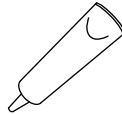
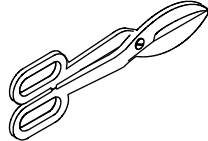
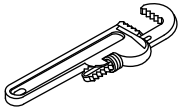
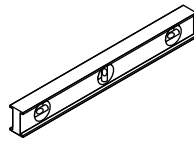
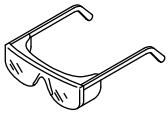
|  |    |
|--|----|
| Información importante .....                                   | 1  |
| Información sobre el producto .....                            | 2  |
| Requisitos eléctricos .....                                    | 2  |
| Avisos sobre el producto .....                                 | 2  |
| Características .....  | 2  |
| Acceso de servicio y a las conexiones .....                    | 2  |
| Antes de comenzar .....  | 3  |
| Herramientas y materiales .....                                | 4  |
| Prepare el sitio .....   | 5  |
| Prepare la bañera de hidromasaje .....                         | 5  |
| Fije la bañera de hidromasaje al subpiso .....                 | 6  |
| Fije la bañera de hidromasaje a la estructura de postes .....  | 7  |
| Corte las cintas flejadoras que sujetan la bomba .....         | 8  |
| Instale la plomería .....                                      | 8  |
| Haga las conexiones eléctricas .....                           | 9  |
| Instale el kit de guarnición de la bañera de hidromasaje ..... | 11 |
| Pruebe el funcionamiento de la bañera de hidromasaje .....     | 11 |
| Termine la pared acabada .....                                 | 13 |
| Aplique el acabado a la pared - continuación .....             | 14 |
| Complete la instalación del concreto .....                     | 14 |
| Limpeza después de la instalación .....                        | 14 |
| Instale las almohadas desmontables .....                       | 15 |
| Verifique el funcionamiento .....                              | 16 |
| Secuencia de funcionamiento .....                              | 17 |
| Funcionamiento de la cromoterapia .....                        | 18 |
| Funcionamiento del control remoto .....                        | 18 |
| Procedimientos para resolver problemas .....                   | 18 |

## Antes de comenzar

**AVISO:** No levante la bañera de hidromasaje por los tubos o por la bomba, ni use los tubos ni la bomba como soporte estructural de la bañera de hidromasaje.

- Para esta bañera de hidromasaje recomendamos instalación de sobreponer, al ras, encajonada entre 3 paredes, o al ras con el azulejo, de acuerdo al modelo elegido.
- Revise que la bañera de hidromasaje no presente daño antes de comenzar la instalación.
- Es necesario instalar esta bañera de hidromasaje en un subpiso nivelado y con suficiente soporte.
- El modelo K-1360 tiene un sistema de llenado integral que emplea puertos duales de llenado en ambos lados de la cascada y válvulas pre-instaladas.
- El modelo K-1365 le permite usar la válvula de llenado de su elección; puede usar los puertos duales de llenado ya instalados o un surtidor de llenado por separado, si lo desea. Verifique que haya suficiente soporte para la grifería de montaje en borde, si se usa; las griferías grandes que puedan ser utilizadas inadvertidamente como medio de soporte no son apropiadas ni seguras para esta instalación.
- Consulte los códigos locales y nacionales.

## Herramientas y materiales

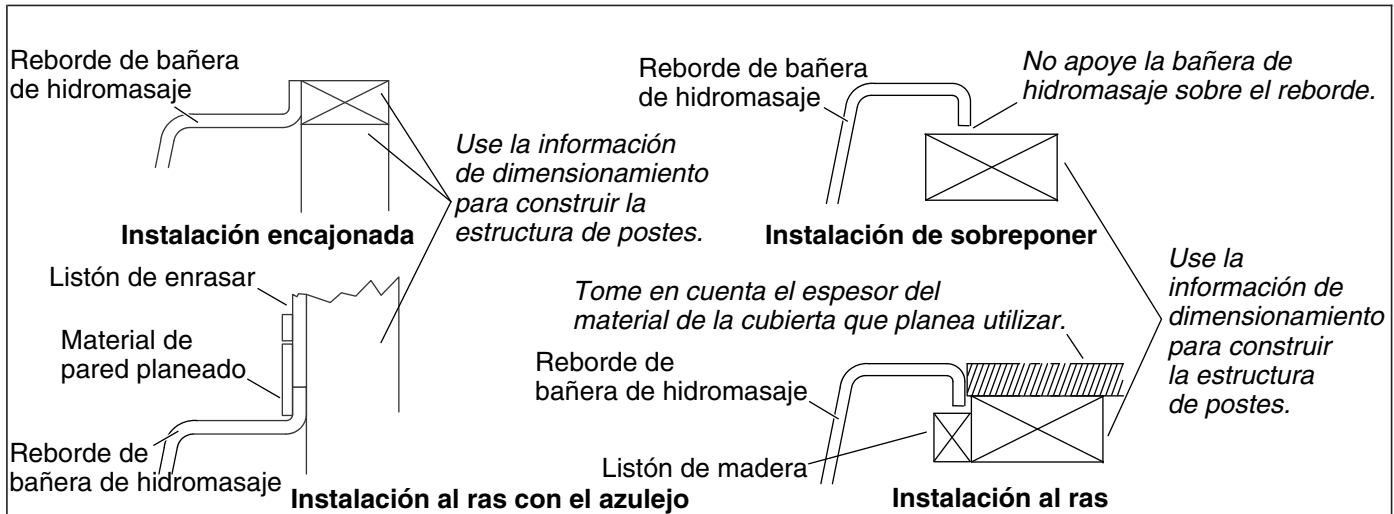


Tijeras para chapa

Sellador de silicona

### Más:

- Herramientas y materiales comunes de carpintería
- Lona
- Cemento, mortero o adhesivo de construcción
- Maderos de 2x4



## 1. Prepare el sitio

**AVISO:** No apoye la bañera de hidromasaje sobre el reborde.

**AVISO:** Asegúrese de que el piso ofrezca el soporte adecuado.

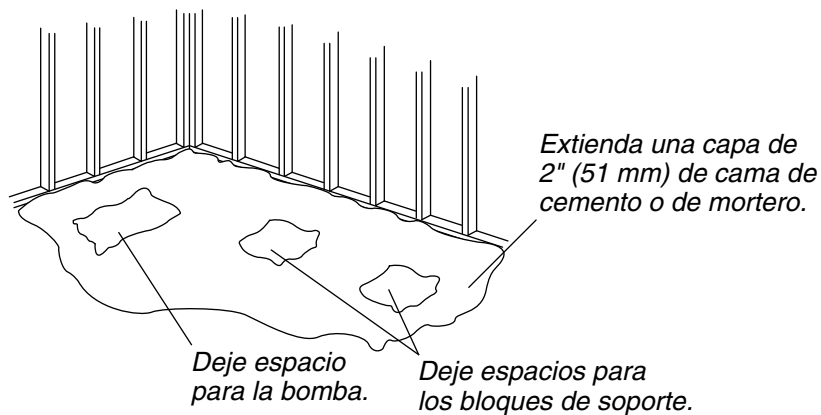
**AVISO:** Mida su producto para preparar el lugar. Fíjese en el **número de modelo** ubicado en la bomba de la bañera de hidromasaje, y luego visite la página del producto en [kohler.com](http://kohler.com) para obtener información adicional.

- Asegúrese de que el piso ofrezca suficiente soporte para su bañera de hidromasaje, y verifique que el subpiso esté plano y nivelado.
- La bañera de hidromasaje se puede instalar en una instalación de sobreponer, al ras, encajonada entre 3 paredes o al ras con el azulejo. Construya una estructura de postes de 2x4 para su instalación en particular. Construya la estructura de madera de piso o para una instalación elevada.
- Utilice la plantilla provista con la bañera de hidromasaje para trazar con cuidado y cortar el material de la cubierta no acabada. Para instalaciones de montaje al ras, tome en cuenta el espesor del material de la cubierta que planea utilizar.
- Coloque la plomería. Tape los suministros, y verifique que no haya fugas.

## 2. Prepare la bañera de hidromasaje

- Instale el desagüe en la bañera de hidromasaje según las instrucciones del fabricante del desagüe. Todavía no conecte la trampa.
- Coloque una lona gruesa y limpia o un material similar en el fondo de la bañera de hidromasaje. Tenga cuidado de no rayar la superficie de la bañera de hidromasaje.





Aplique un hilo continuo de sellador de silicona alrededor de todo el reborde o Aplique adhesivo de construcción en los bloques de soporte.

### 3. Fije la bañera de hidromasaje al subpiso

**AVISO:** No levante la bañera de hidromasaje por los tubos o las bombas, ni use los tubos o las bombas como soporte estructural de la bañera de hidromasaje.

- Elija la opción de instalación más apropiado para su instalación en particular. Siga las instrucciones correspondientes.
- Si el subpiso no está a nivel, acuñe los bloques de soporte de la bañera de hidromasaje según sea necesario.

#### Opción que utiliza una capa de cemento o mortero

**NOTA:** No utilice cemento de yeso o pasta para paneles de yeso con esta aplicación, puesto que no se produce adherencia aceptable ni duradera.

- Aplique una capa de 2" (51 mm) de espesor de cemento o mortero en el subpiso donde se colocará la bañera de hidromasaje. Esto ayudará a fijar, nivelar y dar soporte a la unidad. Limpie todo el material de las ubicaciones para los controles de las bombas.

**NOTA:** Los controles de las bombas (cuando las cintas flejadoras de las bombas están cortadas) deben descansar directamente sobre el subpiso.

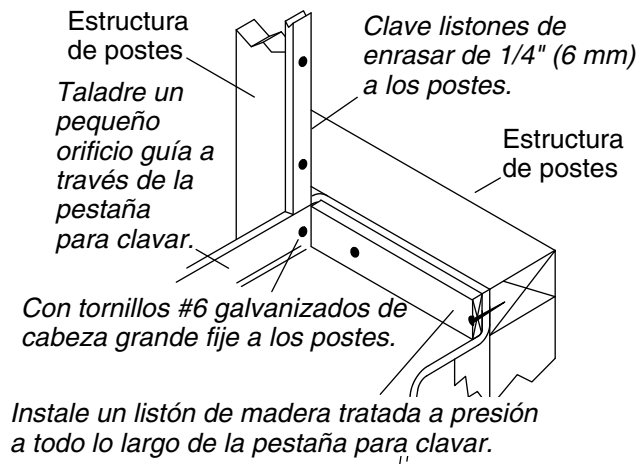
- Obtenga ayuda para colocar con cuidado la bañera de hidromasaje en su lugar y asegúrese de que los controles de las bombas no descansen sobre el material de lechada.
- Introduzca el tubo final de desagüe en la trampa. Verifique que la bañera de hidromasaje esté a nivel y apoyada sobre todos los bloques de soporte.

#### Opción que utiliza adhesivo de construcción

- Aplique bastante adhesivo de construcción de alta calidad en la parte inferior de los bloques de soporte. Con ayuda, coloque con cuidado la bañera de hidromasaje en su lugar.
- Introduzca el tubo final de desagüe en la trampa. Verifique que la bañera de hidromasaje esté a nivel y apoyada sobre todos los bloques de soporte.

#### Opción para usar sellador 100 % de silicona

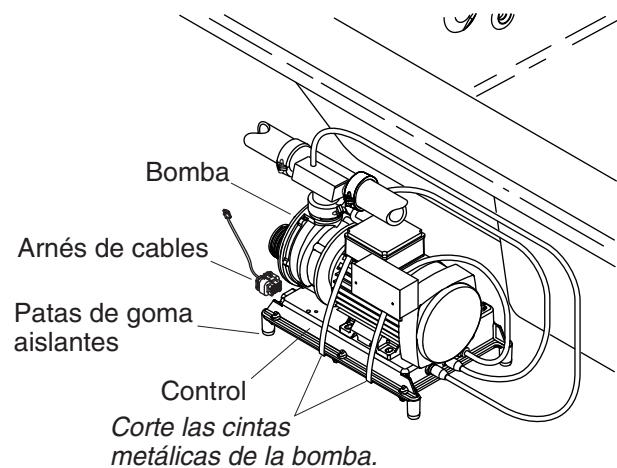
- Con ayuda, coloque con cuidado la bañera de hidromasaje en su lugar.
- Introduzca el tubo final de desagüe en la trampa. Verifique que la bañera de hidromasaje esté a nivel y apoyada sobre todos los bloques de soporte.
- Aplique un hilo continuo de sellador 100 % de silicona alrededor de todo el reborde de la bañera de hidromasaje.



## 4. Fije la bañera de hidromasaje a la estructura de postes

### Opción para modelos con pestaña integral

- Taladre un pequeño orificio guía a través de la pestaña para clavar en cada poste de madera. Agregue cuñas entre la pestaña para clavar y los postes de madera lo que sea necesario para eliminar los espacios abiertos.
- Clave listones de enrasar de 1/4" (6 mm) de espesor a los postes para emparejar hasta el borde de la pestaña para clavar.
- Utilice clavos galvanizados de cabeza grande #6 para fijar la pestaña para clavar a los postes.
- En instalaciones de reborde de azulejo, dimensione e instale un listón de madera tratada a presión a todo lo largo de la pestaña para clavar. Taladre anticipadamente orificios para clavos a través del listón de madera y de la pestaña para clavar antes de fijar con clavos galvanizados.



## 5. Corte las cintas flejadoras que sujetan la bomba

**¡IMPORTANTE!** Este paso es necesario para que su bañera de hidromasaje KOHLER funcione más silenciosamente.

- Utilice unas tijeras para chapa y corte las dos cintas flejadoras de cada bomba de la bañera de hidromasaje.

**NOTA:** No suba las bombas más arriba de lo que estaban antes de cortar las cintas flejadoras. Si las bombas están demasiado altas, no cebarán correctamente. Asegúrese de que las patas aislantes de goma estén en su lugar.

- Para reducir al mínimo el ruido y la vibración de la bañera de hidromasaje, asegúrese de que las bombas no estén en contacto directo con la bañera de hidromasaje después de cortar las cintas flejadoras. Los controles de la bomba tienen patas aislantes de goma para reducir el ruido de la bomba.

## 6. Instale la plomería

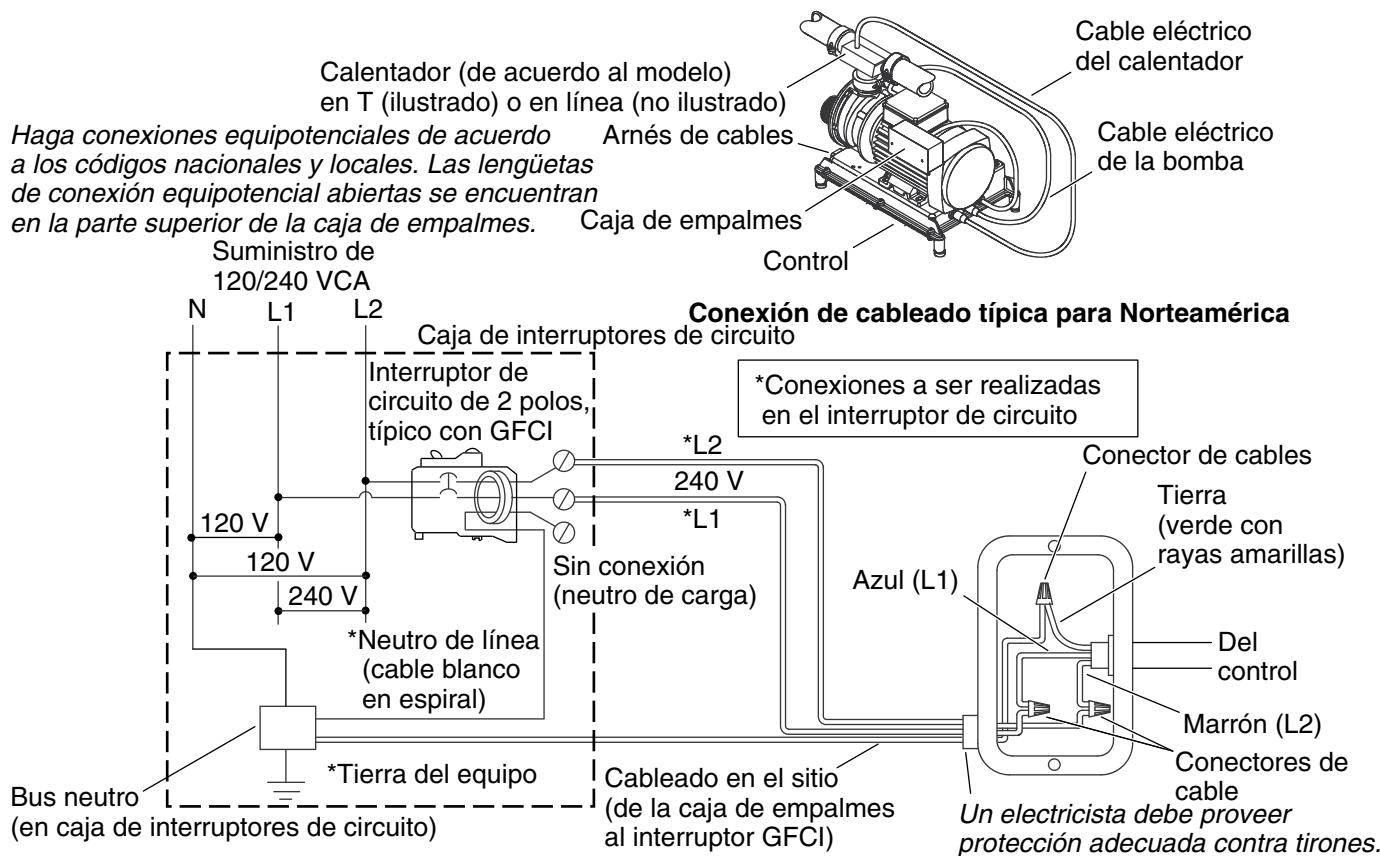


**PRECAUCIÓN: Riesgo de daños a la propiedad.** Asegúrese de que haya un sellado impermeable en el desagüe de la bañera de hidromasaje.

- Conecte el desagüe a la trampa según las instrucciones del fabricante del desagüe.

**AVISO:** Un panel de acceso facilitará el mantenimiento futuro.

- **Solo con K-1360:** Conecte los suministros de agua fría y caliente a las válvulas de llenado integral, conforme a los códigos locales. Existe un orificio adicional ya taladrado en la bañera para la ducha de mano. Instale la ducha de mano en este momento. Conecte el extremo de la manguera de la ducha de mano al puerto abierto de la válvula de transferencia (debajo del borde de la bañera). Asegúrese de que la espiga de la válvula de transferencia se haya girado completamente a la derecha. La válvula de transferencia incluye una válvula integral rompevacío que protege al surtidor de llenado y a la ducha de mano de la ocurrencia de contraflujo.
- **Solo con K-1365:** Instale las válvulas según las instrucciones del fabricante de la grifería. Conecte las válvulas a los puertos de llenado (surtidores) de la bañera de hidromasaje conforme a los códigos locales.
- **Todos los modelos:** Instale la guarnición de la grifería hasta que se le indique. Abra los suministros de agua caliente y fría y verifique que no haya fugas en las conexiones de suministro.
- Haga que el agua circule en la bañera de hidromasaje y verifique que no haya fugas en las conexiones del desagüe.
- Gire la espiga de la válvula de transferencia y verifique que no haya fugas en las conexiones de la ducha de mano.



## 7. Haga las conexiones eléctricas

**NOTA:** El número de modelo está impreso en una etiqueta ubicada del lado de la bomba de la bañera rebosante. Esta etiqueta también identifica la capacidad nominal eléctrica de la bañera de hidromasaje. Estas bañeras de hidromasaje están equipadas con dos cajas de empalmes y están diseñadas para funcionar entre 208 VCA y 240 VCA a 50 Hz o 60 Hz.

**⚠️ ADVERTENCIA: Riesgo de que se produzca una sacudida eléctrica.** Asegúrese de desconectar la corriente eléctrica antes de realizar los siguientes procedimientos. Consulte la sección "Información importante".

**⚠️ ADVERTENCIA: Riesgo de que se produzca una sacudida eléctrica.** Para reducir el riesgo de que se produzca una sacudida eléctrica, conecte la bomba a un interruptor de circuito con pérdida a tierra (GFCI)\* bien conectado a tierra. El calentador también se tiene que conectar a un interruptor de circuito con pérdida a tierra (GFCI) correctamente conectado a tierra. Esto sirve de protección adicional contra el peligro de sacudida eléctrica de línea a tierra. Se requieren dos circuitos dedicados de 208-240 V, 20 A, 50/60 Hz.

**¡IMPORTANTE!** El **neutro de carga** no se usa. No debe haber conexión al terminal de **neutro de carga** en el interruptor de circuito con pérdida a tierra (GFCI). El cable verde con rayas amarillas es la **tierra del equipo** y se tiene que conectar al bus neutro en la caja de disyuntores principal.

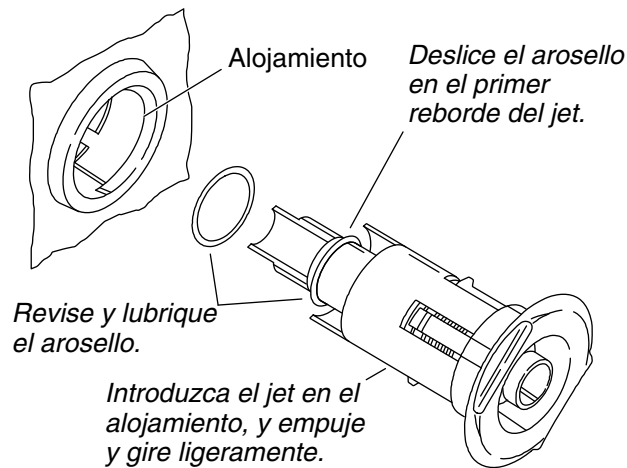
- El control y el calentador ya se han cableado en la fábrica. Un electricista calificado debe realizar las conexiones eléctricas de rutina a cada una de las cajas de empalmes.
- Conecte el cable de servicio eléctrico a las cajas de empalmes. Ambas cajas de empalmes tienen cables de color azul, marrón y verde con una raya amarilla.
- Cumpla los códigos eléctricos locales. Haga conexiones equipotenciales de acuerdo a los códigos nacionales y locales.

### Haga las conexiones eléctricas (cont.)

- El cableado del arnés de cables se ha realizado en la fábrica, y permite la comunicación entre el teclado, todas las funciones y el control. No es necesario realizar ningún cableado adicional, pero asegúrese de que todos los cables se hayan sujetado bien.

**NOTA:** El arnés de cables incluye una antena para el control remoto opcional. No modifique ni dañe esta antena durante la instalación.

\*Fuera de Estados Unidos es posible que este dispositivo se conozca como dispositivo de corriente residual (RCD).



## 8. Instale el kit de guarnición de la bañera de hidromasaje

- Instale el kit de guarnición de la bañera de hidromasaje (si no viene instalado de fábrica) según las instrucciones incluidas con el kit de guarnición. Ponga atención especial a los pasos de instalación de los jets que se presentan a continuación - son muy importantes y se incluyen aquí para obtener un funcionamiento de jet suave y libre de problemas.

**NOTA:** El arosello del jet debe estar bien colocado, lubricado y en buenas condiciones para que el jet pueda girar fácilmente y funcione bien.

- Instale el arosello en el **primer reborde** del jet. Lubrique el arosello con lubricante de silicona para evitar un funcionamiento ruidoso del jet.
- Inserte con cuidado el jet en el alojamiento, y empuje levemente y gire el jet hasta que encaje en su lugar. **No fuerce el jet.**

**NOTA:** Cuando se instala correctamente, el jet debe girar suavemente en ambas direcciones hacia la derecha e izquierda.

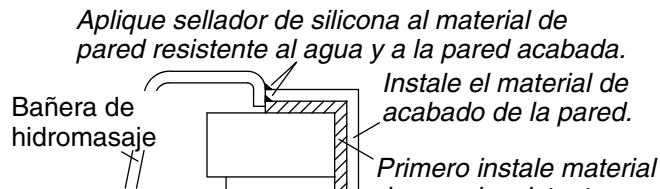
## 9. Pruebe el funcionamiento de la bañera de hidromasaje

- Verifique todas las conexiones eléctricas, luego asegúrese de que todas las conexiones de unión de las bombas y el calentador estén bien apretadas a mano.
- Verifique que ambos juegos de cintas flejadoras se hayan cortado y que los controles de las bombas descansen directamente en el subpiso. Asegúrese de que las patas aislantes de goma estén en su lugar.
- Encienda la alimentación eléctrica a la bañera de hidromasaje.
- Llene la bañera de hidromasaje por encima de los sensores del nivel de agua ubicados a cada lado de la bañera.
- Deje funcionar la bañera de hidromasaje durante 5 minutos (consulte la sección "Secuencia de funcionamiento").
- Verifique que no haya fugas en las conexiones de las tuberías en el lado posterior de la bañera de hidromasaje.
- Encienda cada una de las funciones de la bañera de hidromasaje para verificar que funcione correctamente. Verifique que no haya fugas en el lado posterior de la bañera de hidromasaje.
- Si equipada, encienda el ciclo de cromoterapia y permita que las luces cambien de color a través del ciclo de ocho colores; blanco, violeta, azul índigo, azul agua, verde, amarillo, naranja y rojo. Un ciclo con los ocho colores tarda aproximadamente 1 minuto.

### **Pruebe el funcionamiento de la bañera de hidromasaje (cont.)**

- Verifique las funciones utilizando el control remoto. Consulte la sección "Funcionamiento del control remoto".

**NOTA:** Para obtener información adicional acerca del funcionamiento de la bañera de hidromasaje, consulte la sección "Verifique el funcionamiento" de esta guía.

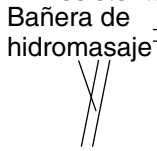


*Aplique sellador de silicona al material de pared resistente al agua y a la pared acabada.*

*Instale el material de acabado de la pared.*

*Primero instale material de pared resistente al agua.*

### **Instalación de sobreponer**

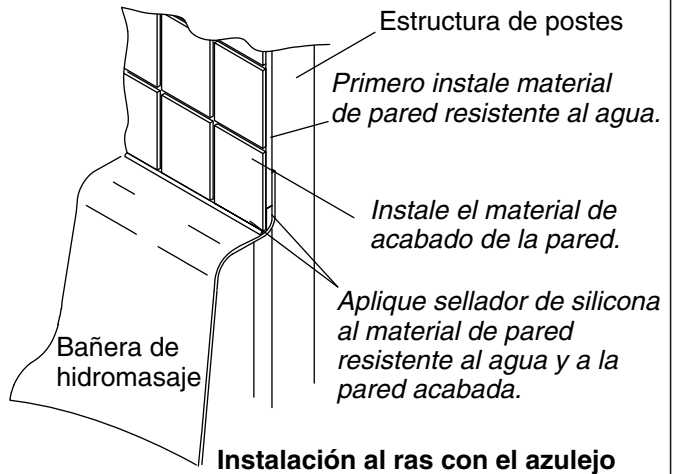


*Aplique sellador de silicona al material de pared resistente al agua y a la pared acabada.*

*Instale el material de acabado de la pared.*

*Primero instale material de pared resistente al agua.*

### **Instalación al ras**



*Estructura de postes*

*Primero instale material de pared resistente al agua.*

*Instale el material de acabado de la pared.*

*Aplique sellador de silicona al material de pared resistente al agua y a la pared acabada.*

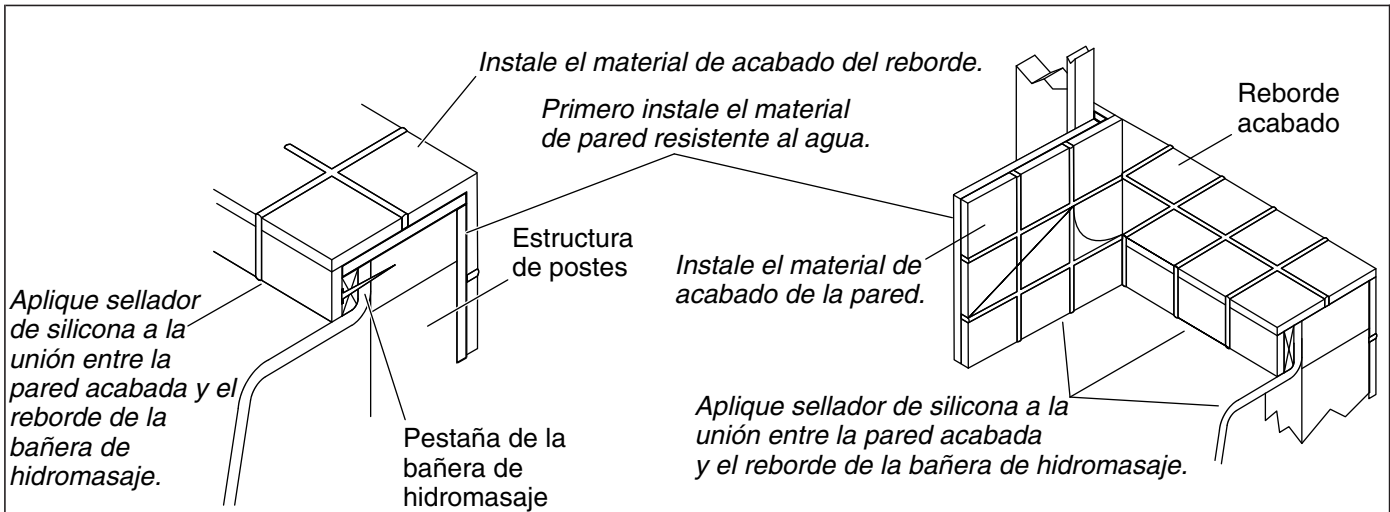
### **Instalación al ras con el azulejo**

## **10. Termine la pared acabada**

### **Instalación de sobreponer, al ras y al ras con el azulejo**

- Si aún no lo ha hecho, retire con cuidado la cinta protectora del reborde de la bañera de hidromasaje.
- Cubra la estructura de postes con un material de pared resistente al agua. Selle las juntas entre el borde del reborde de la bañera y el material resistente al agua de la pared con sellador de silicona.
- Adhiera el material de pared resistente al agua con cinta y yeso. Instale la pared acabada sobre el material resistente al agua de la pared. Selle las uniones entre el borde de la bañera de hidromasaje y el material de la pared acabada con sellador de silicona.
- Instale la guarnición de la grifería según las instrucciones incluidas con la guarnición.





## 11. Aplique el acabado a la pared - continuación

### Instalación a un reborde con azulejo

- Si aún no lo ha hecho, retire con cuidado la cinta protectora del reborde de la bañera de hidromasaje.
- Cubra la estructura de postes con un material de pared resistente al agua.
- Adhiera el material de pared resistente al agua con cinta y yeso. Instale la pared acabada sobre el material resistente al agua de la pared. Selle las uniones entre el borde de la bañera de hidromasaje y el material de la pared acabada con sellador de silicona.

**NOTA:** El área expuesta del reborde de la bañera de hidromasaje no debe ser menos a 37-5/8" (956 mm) x 72" (1829 mm) para que las almohadas queden bien.

- Instale la guarnición de la grifería según las instrucciones incluidas con la guarnición.
- Instale las agarraderas de acuerdo con las instrucciones de instalación adjuntas a las agarraderas.

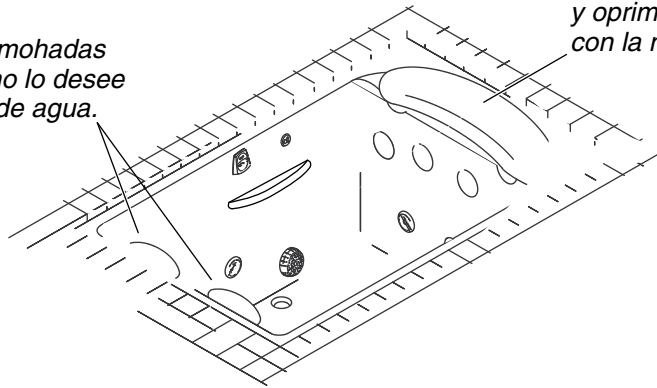
## 12. Complete la instalación del concreto

- Si aún no lo ha hecho, retire con cuidado la cinta protectora del reborde de la bañera de hidromasaje.
- Aplique cemento mortero y azulejos a la pared, a la cubierta y al material circundante, según sea necesario.
- Aplique un hilo continuo de sellador de silicona donde el azulejo hace contacto con la superficie de la bañera.
- Instale la guarnición de la grifería según las instrucciones incluidas con la guarnición.

## 13. Limpieza después de la instalación

- Al limpiar después de la instalación, **no utilice productos de limpieza abrasivos** pues pueden rayar y opacar la superficie de la bañera de hidromasaje. De ser necesario, utilice agua tibia y un detergente líquido para limpiar la superficie de la bañera de hidromasaje, el teclado y el control remoto.
- Las manchas difíciles de quitar, la pintura y el alquitrán se pueden limpiar con aguarrás y diluyente de pintura. **No permita que productos de limpieza que contengan destilados de petróleo permanezcan en contacto con ninguna superficie de la bañera de hidromasaje durante periodos prolongados.** Para retirar el yeso, raspe con cuidado con un borde de madera. No utilice raspadores de metal, cepillos de alambre ni otras herramientas metálicas. Se puede utilizar detergente en polvo con un trapo húmedo para ejercer una acción abrasiva suave en los residuos de yeso.

*Coloque las almohadas pequeñas como lo desee sobre la línea de agua.*



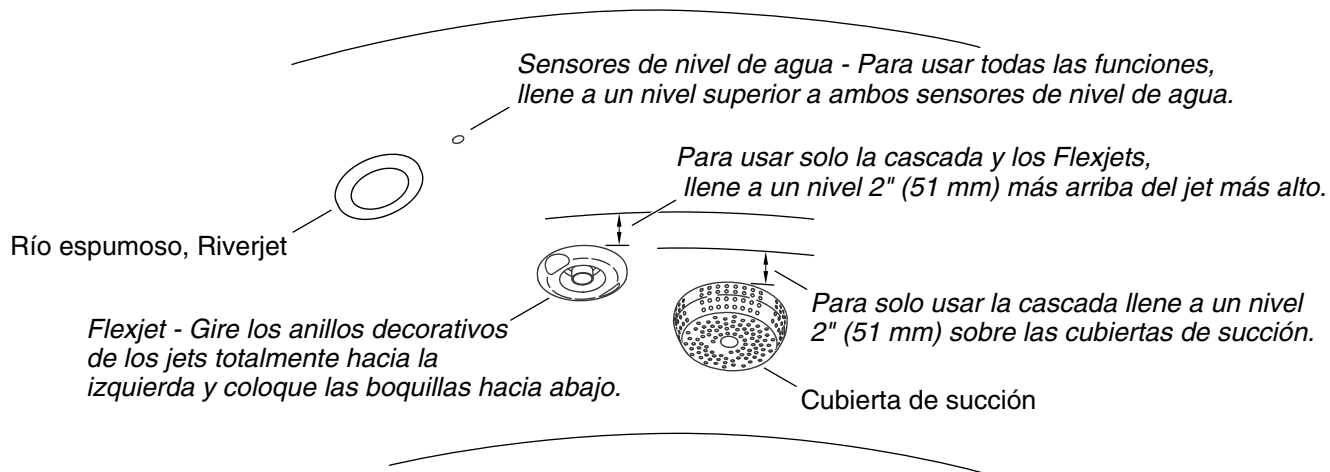
*Coloque la almohada grande en el reborde de la bañera de hidromasaje, y oprima hacia abajo con firmeza con la mano.*

## 14. Instale las almohadas desmontables

**AVISO:** No sumerja las almohadas en agua, ni las utilice como cojines de asiento.

**NOTA:** Para mejor adherencia a la superficie de la bañera de hidromasaje, humedezca la superficie posterior de las ubicaciones con ventosas de las almohadas.

- Limpie los aceites y la película de jabón que pueda haber en la superficie de la bañera de hidromasaje. La parte posterior de las almohadas tiene ventosas. Coloque la almohada grande en su lugar dentro de la bañera y presione con firmeza sobre las ventosas. Coloque las almohadas pequeñas según desee arriba de la línea de agua, presionando firmemente con la palma de la mano. Verifique que las almohadas se fijen con firmeza a la bañera de hidromasaje.
- Para retirar las almohadas, levántelas de la superficie de la bañera de hidromasaje.



## 15. Verifique el funcionamiento

### Llene la bañera de hidromasaje

**NOTA:** Por favor, lea atentamente estos pasos antes de activar la bañera de hidromasaje.

- Gire los anillos decorativos de los jets totalmente hacia la izquierda. Coloque las boquillas de los jets de manera que apunten hacia abajo en la bañera.

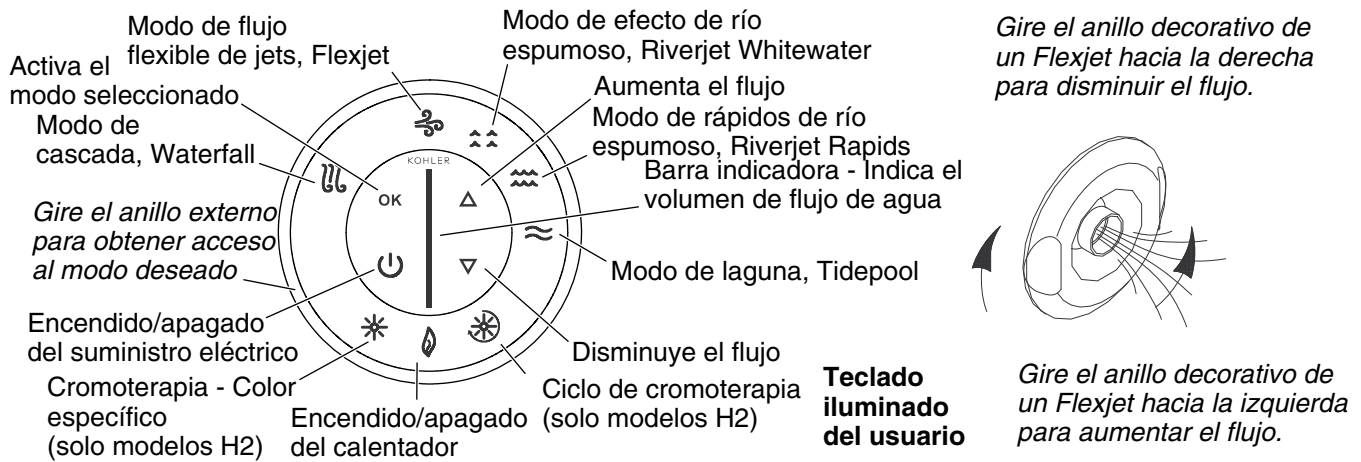
**NOTA:** Para usar solo la cascada (sin los jets Flexjet o Riverjet), solo necesita llenar la bañera aproximadamente 2" (50 mm) arriba de la parte superior de las tapas de succión.

**NOTA:** Para usar la cascada o los jets Flexjet (sin los Riverjet), necesita llenar la bañera aproximadamente 2" (50 mm) arriba de la parte superior del Flexjet más alto.

- **Para activar todas las funciones:** Llene la bañera de hidromasaje arriba de los sensores del nivel de agua a cada lado de los jets Riverjet.

**NOTA:** Los jets Riverjet solo funcionan si ambos sensores del nivel de agua están completamente cubiertos de agua. Si el nivel del agua cae por debajo de los sensores, los jets Riverjet se apagarán automáticamente y los Flexjet se encenderán. Los jets Riverjet y Flexjet no funcionarán al mismo tiempo.

**NOTA:** La temperatura del agua en la bañera de hidromasaje no debe exceder de 104°F (40°C). El calentador se apagará automáticamente cuando la temperatura del agua alcance los 104°F (40°C) y permanecerá apagado hasta que el agua se enfríe.



## Secuencia de funcionamiento

**NOTA:** El calentador integrado ayuda automáticamente a mantener la temperatura del agua mientras la bañera de hidromasaje esté funcionando, siempre y cuando la temperatura no sobrepase los 104°F (40°C). El calentador se apaga a temperaturas superiores.

**¡IMPORTANTE!** Consulte la Guía del Usuario para obtener las instrucciones detalladas del teclado y control remoto.

**NOTA:** La bañera emplea dos bombas. Una bomba alimenta la cascada y la otra impulsa el agua a través de los jets Flexjet y Riverjet.

- **Para encender la bañera de hidromasaje:** Presione el botón de encendido/apagado "On/Off" o gire el anillo externo para entrar al modo deseado, como se describe más abajo.
- **Para entrar al modo deseado:** Gire el anillo externo hasta que el botón parpadee en azul. Oprima "OK" para activar el modo. El modo activado se parpadeará en verde. Para desactivar un modo, gire el anillo externo hasta que el botón parpadee en azul y oprima "OK" otra vez. Verifique cada una de las características enumeradas más abajo.
- **Cascada, Waterfall:** Cuando la cascada está activada, el agua comienza a fluir a un volumen medio en pocos segundos. El modo de cascada no activa el calentador. En el teclado oprima las flechas hacia arriba o hacia abajo para aumentar o disminuir el caudal del flujo de agua. La barra indicadora en el centro del teclado muestra el caudal del flujo de agua. La cascada se puede utilizar sola o con uno de los siguientes modos; Flexjets, río espumoso o rápidos.
- **Jets Flexjet:** Cuando se activan los jets Flexjet, que se encuentran por debajo de los jets Riverjet, el agua comienza a fluir inmediatamente a una capacidad media. En el teclado oprima las flechas hacia arriba o hacia abajo para aumentar o disminuir el caudal del flujo de agua. La barra indicadora en el centro del teclado muestra el caudal del flujo de agua.
- **Río espumoso, Whitewater:** El modo de río espumoso activa los 2 jets Riverjet ubicados en la zona de la nuca haciendo que el agua fluya con un caudal medio. En el teclado oprima las flechas hacia arriba o hacia abajo para aumentar o disminuir el caudal del flujo de agua. La barra indicadora en el centro del teclado muestra el caudal del flujo de agua.
- **Rápidos, Rapids:** El modo de rápidos activa los 4 jets Riverjet ubicados en la zona de la nuca haciendo que el agua fluya a una capacidad media. En el teclado oprima las flechas hacia arriba o hacia abajo para aumentar o disminuir el caudal del flujo de agua. La barra indicadora en el centro del teclado muestra el caudal del flujo de agua.
- **Modo de laguna, Tidepool:** Este modo apaga el flujo de aire a los jets para proporcionar un efecto calmante y relajante. El modo de laguna se puede utilizar en cualquier momento mientras los jets estén en funcionamiento. El modo de laguna no afecta el funcionamiento de la cascada.

## Secuencia de funcionamiento (cont.)

**NOTA:** Una vez que el modo de laguna se ha activado, es posible que algo de aire fluya por uno o más jets durante un corto periodo de tiempo.

- **Calentador:** El calentador integrado ayuda automáticamente a mantener la temperatura del agua cuando cualquiera de los jets estén funcionando, siempre y cuando la temperatura del agua no sobrepase los 104°F (40°C). El calentador se puede apagar en cualquier momento mientras las bombas estén en marcha, para ello gire el anillo externo hasta que el botón del calentador se ilumine de forma intermitente, y oprima "OK". Oprima "OK" otra vez para volver a encender el calentador.
- El sistema de jets de hidromasaje añade aire al flujo de agua (excepto en el modo de laguna) para aumentar la fuerza del flujo de agua. Para disminuir la fuerza del flujo de agua del hidromasaje, gire los anillos decorativos de los jets del hidromasaje hacia la derecha, hasta obtener la intensidad deseada. Gire los anillos decorativos hacia la izquierda para aumentar la fuerza del flujo de agua.
- Vuelva a oprimir el botón de encendido/apagado para apagar la bañera de hidromasaje.

**NOTA:** El temporizador integrado apaga automáticamente el motor y la bomba después de aproximadamente 20 minutos de funcionamiento.

## 16. Funcionamiento de la cromoterapia

### Equipada en los modelos H2 solamente

**NOTA:** La cromoterapia se puede utilizar con todos los modos de funcionamiento. La cromoterapia también se puede utilizar cuando las bombas no estén funcionando.

- **Ciclo de cromoterapia:** Cuando este modo está activado, las luces de cromoterapia cambian de color automática y continuamente en ocho colores; blanco, violeta, azul índigo, azul agua, verde, amarillo, naranja y rojo. Un ciclo de ocho colores tarda aproximadamente un minuto. Gire el anillo externo para seleccionar este modo y oprima "OK" para activarlo. Para apagar las luces, oprima "OK" mientras el modo de cromoterapia está activo.
- **Selección de un color específico de cromoterapia:** Cuando este modo está activo, se puede elegir un color específico para la bañera. Gire el anillo externo para seleccionar este modo, oprima "OK" para activarlo y utilice las flechas hacia arriba o hacia abajo hasta obtener el color deseado. Para apagar las luces, oprima "OK" mientras el modo de cromoterapia está activo.

## 17. Funcionamiento del control remoto

**NOTA:** Consulte la Guía del Usuario para obtener las instrucciones detalladas del control remoto.

- El control remoto pone al alcance de su mano las funciones de la bañera de hidromasaje. Usted puede tener acceso y modificar todos los modos/características del control remoto. El control remoto impermeable está diseñado para usarse en la bañera y flota en el agua. El control remoto utiliza dos pilas AAA.
- El botón de selección de modo funciona de la misma manera que el anillo externo. Cuando se oprime la "M", uno de los modos parpadeará en el teclado. Si oprime la "M" otra vez, el modo siguiente hacia la derecha parpadeará. Una vez que el modo deseado esté parpadeando, oprima "OK" para activarlo.
- Cuando el modo Flexjet, cascada, río espumoso o rápidos está activo, las flechas aumentan o disminuyen el caudal del flujo de agua.

## Procedimientos para resolver problemas

**AVISO:** El propósito de esta sección es solo ayuda general. Todos los problemas eléctricos deben ser resueltos por un representante de servicio autorizado de Kohler Co. o un electricista capacitado. Para obtener servicio de garantía, llame al 1-800-4KOHLER desde EE.UU. y Canadá, o al 001-800-456-4537 desde México.

## Procedimientos para resolver problemas (cont.)

**NOTA:** Fuera de los Estados Unidos, un GFCI también se conoce como dispositivo de corriente residual (RCD).

### Guía para resolver problemas del sistema de la bañera de hidromasaje

| Síntomas   | Causas probables  | Acción recomendada  |
|--|---|---|
| 1. El teclado no se ilumina cuando se oprime el botón de encendido o cuando se gira el anillo externo. | <p>A. El control no tiene alimentación eléctrica.</p> <p>B. El interruptor GFCI se disparó.</p> <p>C. El arnés de cables del teclado del usuario al control está suelto, desconectado o dañado.</p> <p>D. El teclado del usuario no funciona.</p> <p>E. El control no funciona.</p> | <p>A. Verifique el cableado y conecte el suministro eléctrico.</p> <p>B. Restablezca (reset) el GFCI.</p> <p>C. Revise que los cables estén correctamente conectados. Cambie el arnés de cableado de ser necesario.</p> <p>D. Cambie el teclado del usuario.</p> <p>E. Cambie el control.</p> |
| 2. El motor arranca, pero no todos los jets funcionan.   | <p>A. Algún jet está cerrado.</p> <p>B. Algún jet no está instalado correctamente.</p> <p>C. Hay jets tapados.</p>  | <p>A. Gire el anillo decorativo del jet hacia la izquierda para abrirlo.</p> <p>B. Vuelva a instalar el jet afectado; revise que el arosello no esté dañado.</p> <p>C. Elimine la obstrucción.</p>  |
| 3. El teclado del usuario está iluminado, pero no responde a los botones o al anillo externo.          | <p>A. El programa de control está bloqueado.</p> <p>B. El arnés de cables del teclado del usuario al control está suelto, desconectado o dañado.</p> <p>C. El teclado del usuario no funciona.</p> <p>D. El control no funciona.</p>  | <p>A. Restablezca (reset) el interruptor GFCI.</p> <p>B. Revise que los cables estén correctamente conectados. Cambie el arnés de cableado de ser necesario.</p> <p>C. Cambie el teclado del usuario.</p> <p>D. Cambie el control.</p>  |
| 4. Al encender la unidad, la barra indicadora del teclado del usuario continúa en modo de búsqueda.    | <p>A. El programa de control está bloqueado.</p> <p>B. El arnés de cables del teclado del usuario al control está suelto, desconectado o dañado.</p> <p>C. El teclado del usuario no funciona.</p> <p>D. El control no funciona.</p>  | <p>A. Restablezca (reset) el interruptor GFCI.</p> <p>B. Revise que los cables estén correctamente conectados. Cambie el arnés de cableado de ser necesario.</p> <p>C. Cambie el teclado del usuario.</p> <p>D. Cambie el control.</p>  |
| 5. El teclado del usuario está iluminado, pero la bomba no arranca.                                    | <p>A. El cable de suministro eléctrico de la bomba al control está suelto, desconectado o dañado.</p> <p>B. La bomba no funciona.</p> <p>C. El control no funciona.</p>   | <p>A. Revise que los cables estén correctamente conectados.</p> <p>B. Cambie la bomba.</p> <p>C. Cambie el control.</p>   |
| 6. El motor funciona pero la bomba no hace el cebado (se produce cavitación).                          | <p>A. Se ha elevado demasiado la bomba por medio de cuñas.</p> <p>B. Pequeña fuga de aire en la entrada de la bomba.</p>  | <p>A. Baje la bomba/el control al nivel del subpiso.</p> <p>B. Apriete con firmeza las tuercas en el lado de admisión de la bomba.</p>  |

**Procedimientos para resolver problemas (cont.)**

| <b>Síntomas</b>  | <b>Causas probables</b>  | <b>Acción recomendada</b>   |
|--|--|---|
|  | <p><b>C.</b> El motor o la bomba no funciona.</p> <p><b>D.</b> El control no funciona.</p>   | <p><b>C.</b> Cambie el motor o la bomba.</p> <p><b>D.</b> Cambie el control.</p>  |
| 7. Flujo escaso de agua de los puertos duales de llenado.  | <p><b>A.</b> Las líneas de suministro de agua están obstruidas.</p> <p><b>B.</b> La válvula de transferencia no está totalmente abierta.</p>   | <p><b>A.</b> Elimine la obstrucción.</p> <p><b>B.</b> Gire la manija de la válvula de transferencia.</p>  |
| 8. Flujo de agua escaso de la cascada.   | <p><b>A.</b> La succión o las tuberías están obstruidas.</p> <p><b>B.</b> La bomba no funciona.</p> <p><b>C.</b> El control no funciona.</p>   | <p><b>A.</b> Elimine la obstrucción.</p> <p><b>B.</b> Cambie la bomba.</p> <p><b>C.</b> Cambie el control.</p>  |
| 9. Los Flexjets funcionan, pero los Riverjets no funcionan como debieran..                                       | <p><b>A.</b> Insuficiente agua en el fondo de la bañera de hidromasaje.</p> <p><b>B.</b> El teclado del usuario no funciona.</p> <p><b>C.</b> La válvula de mariposa no funciona.</p> <p><b>D.</b> El control no funciona.</p> | <p><b>A.</b> Llene la bañera de hidromasaje hasta que el agua cubra los sensores de nivel de agua.</p> <p><b>B.</b> Cambie el teclado del usuario.</p> <p><b>C.</b> Revise el cableado. Reemplace la válvula de mariposa.</p> <p><b>D.</b> Cambie el control.</p>   |
| 10. Las flechas hacia arriba/abajo del control del flujo de agua no cambian el flujo de agua como se describe.   | <p><b>A.</b> El teclado del usuario no funciona.</p> <p><b>B.</b> La bomba no funciona.</p> <p><b>C.</b> El control no funciona.</p>   | <p><b>A.</b> Revise el cableado. Cambie el teclado del usuario.</p> <p><b>B.</b> Revise el cableado. Reemplace la bomba.</p> <p><b>C.</b> Revise el cableado. Cambie el control.</p>  |
| 11. El flujo de aire a través de los jets no se detiene cuando se activa el modo de laguna.                      | <p><b>A.</b> El teclado del usuario no funciona.</p> <p><b>B.</b> La válvula de mariposa no funciona.</p> <p><b>C.</b> El control no funciona.</p>   | <p><b>A.</b> Cambie el teclado del usuario.</p> <p><b>B.</b> Revise el cableado. Reemplace la válvula de mariposa.</p> <p><b>C.</b> Revise el cableado. Cambie el control.</p>  |
| 12. El aire sigue fluyendo de uno o más jets durante varios segundos después de que se activa el modo de laguna. | <p><b>A.</b> Funcionamiento normal - el aire dejará de fluir en poco tiempo.</p>   | <p><b>A.</b> No se requiere acción alguna.</p>  |
| 13. La bomba se detiene antes de funcionar durante 18 minutos.   | <p><b>A.</b> El interruptor GFCI se disparó.</p> <p><b>B.</b> La succión está obstruida.</p> <p><b>C.</b> Los jets están tapados.</p> <p><b>D.</b> El motor se sobrecalentó y se activó el dispositivo de protección.</p>      | <p><b>A.</b> Identifique la causa de la falla y corríjala. Restablezca el interruptor GFCI.</p> <p><b>B.</b> Elimine la obstrucción.</p> <p><b>C.</b> Elimine la obstrucción.</p> <p><b>D.</b> Revise si hay obstrucciones en la succión y/o en los jets. Elimine la obstrucción y deje enfriar el motor.</p> |
| 14. La bomba no se apaga automáticamente después de 22 minutos.  | <p><b>A.</b> El temporizador de 20 minutos ha sido desactivado inadvertidamente.</p>   | <p><b>A.</b> Consulte el manual de servicio.</p>  |

**Procedimientos para resolver problemas (cont.)**

| <b>Síntomas</b>  | <b>Causas probables</b>   | <b>Acción recomendada</b>  |
|--|---|--|
| 15. La bomba no se apaga cuando se oprime el botón de encendido y apagado en el teclado del usuario. | A. El teclado del usuario no funciona.<br><br>B. El control no funciona.  | A. Cambie el teclado del usuario.<br><br>B. Cambie el control.   |
| 16. La bomba funciona, pero la función de velocidad variable no funciona.                            | A. El motor/la bomba no funciona.<br><br>B. El control no funciona.   | A. Cambie el motor/la bomba.<br><br>B. Cambie el control.  |
| 17. El agua de la bañera se enfría mientras la bomba está funcionando.                               | A. La temperatura del agua excede 104°F (40°C).<br><br>B. El calentador está apagado en el teclado del usuario.<br><br>C. El cable del calentador al control está suelto, desconectado o dañado.<br><br>D. El calentador no funciona.<br><br>E. El control no funciona. | A. Deje enfriar el agua de la bañera.<br><br>B. Encienda el calentador.<br><br>C. Revise que los cables estén correctamente conectados.<br><br>D. Cambie el calentador.<br><br>E. Cambie el control. |
| 18. Funcionamiento ruidoso.  | A. Las cintas flejadoras de la bomba no han sido cortadas.<br><br>B. El arosello del jet está mal colocado o seco (rechina).  | A. Corte las cintas flejadoras con tijeras para chapa.<br><br>B. Retire el jet, cambie y lubrique el arosello, y vuelva a instalar el jet.   |
| 19. El control remoto (si está equipado) no funciona.  | A. Las pilas están mal instaladas o descargadas.<br><br>B. La antena en el arnés de cableado está dañada.<br><br>C. El control remoto no ha sido programado correctamente.<br><br>D. El control remoto no funciona.<br><br>E. El control no funciona.                   | A. Cambie las pilas.<br><br>B. Cambie el arnés de cableado.<br><br>C. Consulte la guía del usuario o el manual de servicio.<br><br>D. Cambie el control remoto.<br><br>E. Cambie el control.         |

**Guía para resolver problemas de las luces de cromoterapia - Solo Modelos H2**

| <b>Síntomas</b>                             | <b>Causas probables</b>  | <b>Acción recomendada</b>  |
|---|--|--|
| 20. Las luces de cromoterapia no funcionan. | A. Hay cables o conexiones sueltos, desconectados o dañados.<br><br>B. El control no funciona. | A. Revise que los cables estén correctamente conectados. Reemplace los cables de ser necesario.<br><br>B. Cambie el control. |









USA/Canada: 1-800-4KOHLER

México: 001-800-456-4537

[kohler.com](http://kohler.com)

THE BOLD LOOK  
OF **KOHLER**®

©2019 Kohler Co.

1022211-2-D