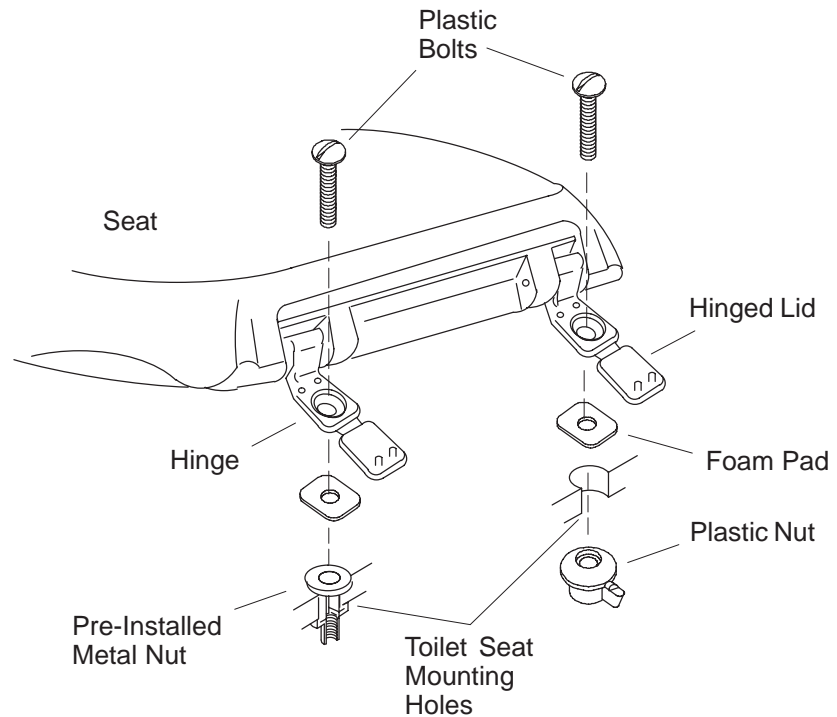


INSTALLATION

1. Snap open the two hinged lids that cover the seat bolt holes. Remove backing from one side of foam pads. Align holes and affix to undersides of hinges. Fit the plastic bolts through the hinges from the top.
2. Position the seat on the toilet so the bolts fit through the toilet seat-mount holes. After seat is centered, remove backing from the foam pads and secure to toilet.

NOTE: If the toilet seat-mount holes have pre-installed metal nuts, proceed directly to Step 4.

3. Loosely thread the plastic nuts on the bolts.
4. Tighten the bolts from the top, holding the nuts as necessary. Center the seat as needed.
5. Snap the hinged lids closed.



1002543-2-A

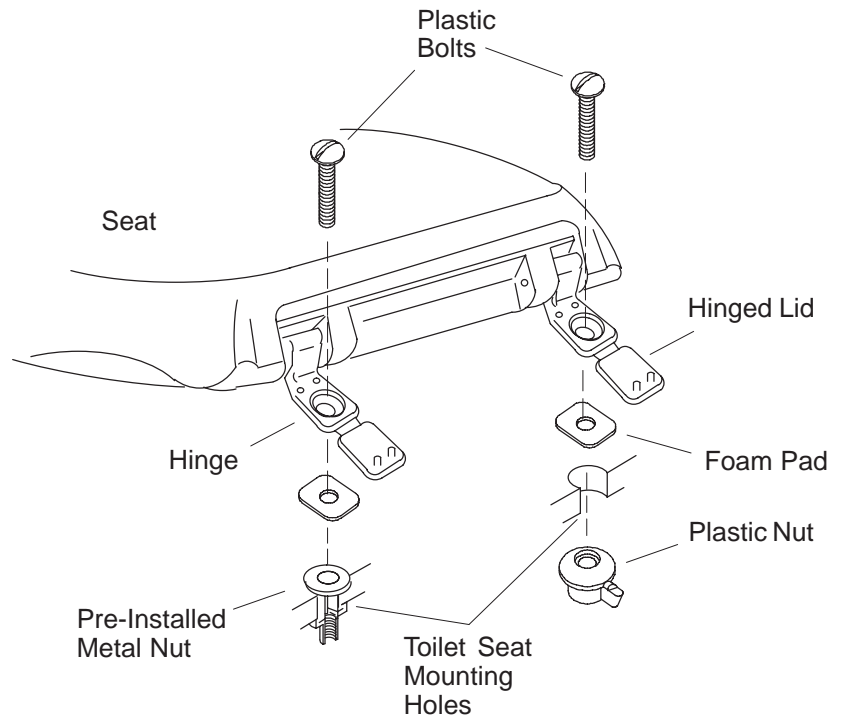
©2000 Kohler Co.

INSTALLATION

1. Snap open the two hinged lids that cover the seat bolt holes. Remove backing from one side of foam pads. Align holes and affix to undersides of hinges. Fit the plastic bolts through the hinges from the top.
2. Position the seat on the toilet so the bolts fit through the toilet seat-mount holes. After seat is centered, remove backing from the foam pads and secure to toilet.

NOTE: If the toilet seat-mount holes have pre-installed metal nuts, proceed directly to Step 4.

3. Loosely thread the plastic nuts on the bolts.
4. Tighten the bolts from the top, holding the nuts if necessary. Center the seat as needed.
5. Snap the hinged lids closed.



1002543-2-A

©2000 Kohler Co.