

## INSTRUCTIONS PERTAINING TO A RISK OF FIRE, OR INJURY TO PERSONS IMPORTANT SAFETY INSTRUCTIONS

### Lighted lamp is HOT!

**WARNING** — To reduce the risk of FIRE OR INJURY TO PERSONS.

- 1) Turn off / unplug and allow to cool before replacing lamp.
- 2) Lamp gets HOT quickly!
- 3) Do not touch hot lens or cowl.
- 4) Do not touch lamp or fixture if warm.
- 5) Do not look directly at lamp when on.
- 6) Keep lamp away from combustible materials.
- 7) Use only with wattage and lamp marked on fixture.
- 8) Do not touch the inner glass envelope of the lamp at any time. Use a soft cloth. Oil from skin may damage lamp.
- 9) Do not operate the fixture with a damaged or missing lens.

### SAFETY INSTRUCTIONS

#### READ THIS FIRST

#### KEEP THESE INSTRUCTIONS

This fixture is intended for installation in accordance with the National Electric Code (NEC) and Local code specifications. Failure to adhere to these codes and instructions may result in serious injury and/or property damage and will void the warranty.

- 1) **WARNING:** This fixture is not to be installed within 10 feet (3M) of a pool, spa or fountain.
- 2) This fixture is to be used only with a power unit (transformer) rated a maximum of 300 W (25 AMPS) 15 volts per circuit.
- 3) The #18 ga. fixture wire is not intended for direct burial or direct connection to transformer.
- 4) Direct burial rated wire is to be buried a minimum of 6" (152mm) beneath the surface of the ground. **NOTE:** If additional Direct Burial wire is needed, contact your local Kichler® landscape distributor.
  - 8 GA wire can be purchased in length of 250' (76 M), 15503-BK.
  - 10 GA wire can be purchased in length of 250' (76 M), 15504-BK.
  - 12 GA wire can be purchased in lengths of 100' (30 M), 15501-BK; 250' (76 M), 15502-BK; 500' (152M), 15505-BK; and 1000' (304 M), 15506-BK.
- 5) Fixture shall not use a tungsten halogen lamp unless the fixture is marked for use with such lamps.
- 6) Wiring connections must be made with approved/listed wire connection device(s) suitable for the application. Do not exceed manufacturers' wiring combination specifications for size and quantity of conductors.

### CAUTION

**WHEN INSTALLING KICHLER LANDSCAPE LIGHTING (LINE VOLTAGE OR LOW VOLTAGE), CARE SHOULD BE TAKEN TO KEEP CLEAR OF POTENTIALLY COMBUSTIBLE MATERIALS.**

**WHEN MAINTAINING THE FIXTURES, BE SURE TO REMOVE LEAVES, PINE NEEDLES, GRASS CLIPPINGS, MULCH, OR ANY DEBRIS THAT HAS ACCUMULATED ON THE LIGHT BULB, LENS, OR BODY OF THE FIXTURE.**

### ASSEMBLY AND INSTALLATION

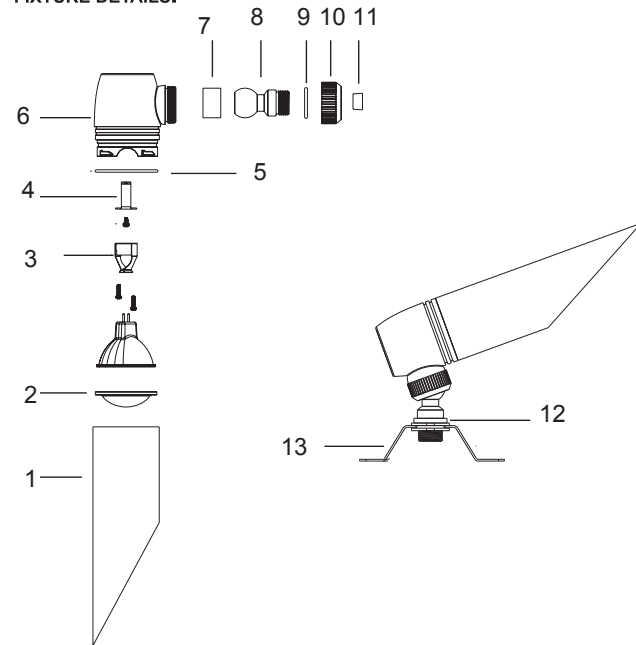
#### 1. TURN OFF POWER

2. Determine desired location for mounting fixture.
3. At desired location, install the surface / tree bracket with appropriate hardware (not included) (Hanger / stand-off style bolts recommended for optimum tree health.)
4. Feed wire through surface / tree bracket engagement and install luminaire by tightening the lock nut. Aim luminaire in desired direction.
5. Install cowl onto accent light housing. Cowl is installed with clockwise quarter-turn twist.
6. Adjust the swivel to desired angle.
7. Make wire connections using approved wire nuts (not supplied).

## MR16 DOWNLIGHT WITH LONG COWL

MODEL # 15486CBR

### FIXTURE DETAILS:



1. Cowl 2. Lens 3. Socket with clips 4. Socket bracket
5. O-ring 6. Body 7. Cord grip 8. Swivel 9. O-ring 10. Coupling 11. Cord grip 12. Lock nut 13. Tree Bracket