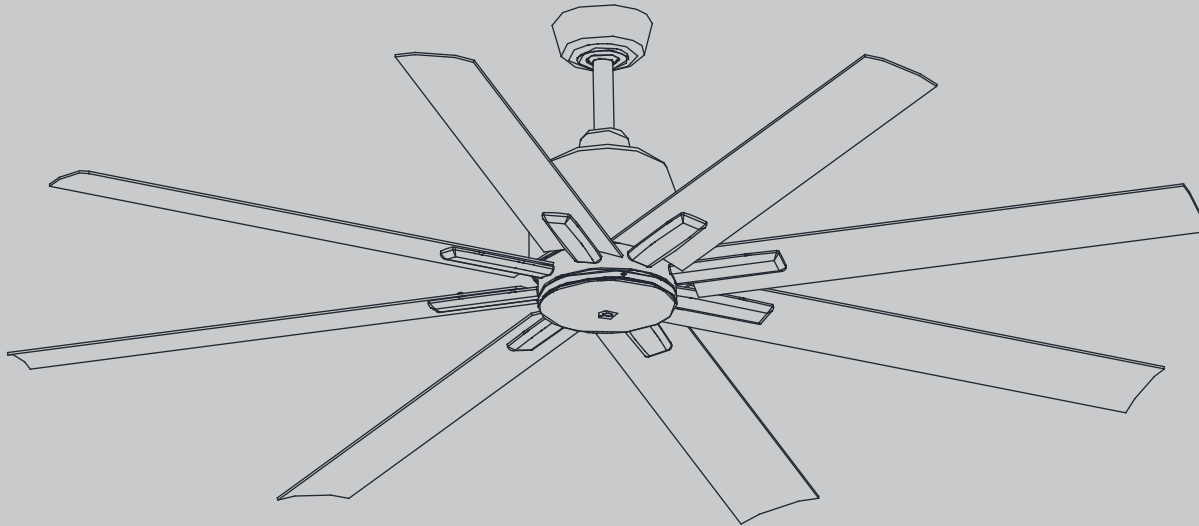


KICHLER®

Breda

Product images may vary slightly from actual product.



INSTRUCTION MANUAL

Model#: 310265(65")
310275(75")
310285(84")

READ AND SAVE THESE INSTRUCTIONS

TABLE OF CONTENTS

SAFETY RULES	3	INSTALLING THE MOUNTING PLATE	13
TOOLS REQUIRED.....	5	INSTALLING THE DECORATIVE COVER.....	13
PACKAGE CONTENTS	5	INSTALLING THE COOLTOUCH™ WALL PLATE	14
MOUNTING OPTIONS.....	6	INSTALLING THE THE TRANSMITTER	14
HANGING THE FAN.....	7	OPERATING INSTRUCTIONS.....	15
INSTALLATION OF SAFETY CABLE	10	BUTTON INSTRUCTIONS	17
ELECTRICAL CONNECTIONS	10	REVERSE FUNCTION	17
FINISHING THE MOTOR INSTALLATION	12	TROUBLESHOOTING.....	18
INSTALLING THE FAN BLADES AND BLADE BRACKETS.....	13	FCC INFORMATION.....	20

SAFETY RULES

- 1. CAUTION-RISK OF SHOCK-**
Disconnect Power at the main circuit breaker panel or main fuse box before starting and during the installation.
- 2. WARNING:** All wiring must be in accordance with the National Electrical Code "ANSI/NFPA 70" and local electrical codes. Electrical installation should be performed by a qualified licensed electrician.
- 3. WARNING:** To reduce the risk of electric shock, this fan must be installed with an isolating wall control/switch.
- 4. WARNING:** Not suitable for use with solid-state speed controls.
- 5. WARNING:** If mounting fan #310265 or fan #310275, to reduce the risk of fire, electric shock, or personal injury, mount to a ceiling fan rated outlet box marked "acceptable for fan support of less than 15.9 kg (35 lbs.)" and use the mounting screws provided with the outlet box.

If mounting fan #310285, to reduce the risk of fire, electric shock, or personal injury, mount to a ceiling fan rated outlet box that is Listed for ceiling fan support, certified for over 15.9 kg (35 lbs.) and over, and marked "acceptable for ceiling fan installations" and use the mounting screws provided with the outlet box.

Most outlet boxes commonly used for the support of light fixtures are not acceptable for fan support and may need to be replaced. Due to the complexity of the installation of this fan, a qualified licensed electrician is strongly recommended.

- 6.** If mounting fan #310265 or fan #310275, the outlet box and support structure must be securely mounted and capable of reliably supporting less than 15.9 kg (35 pounds). Use only cULus Listed outlet boxes marked "Acceptable for Fan Support of less than 15.9 kg (35 lbs))".

If mounting fan #310285, the outlet box and support structure must be securely mounted and capable of reliably supporting over 15.9 kg (35 lbs.) and over. Use only cULus Listed outlet boxes marked "acceptable for ceiling fan installations".
- 7.** The fan must be mounted with a minimum of 2.1 m (7 feet) clearance from the trailing edge of the blades to the floor.
- 8.** To operate the reverse function on this fan, press the reverse button while the fan is running.
- 9.** Avoid placing objects in the path of the blades.
- 10. WARNING:** make sure the power is disconnected before cleaning your fan.

SAFETY RULES (continued)

- 11. To avoid personal injury or damage to the fan and other items, be cautious when working around or cleaning the fan.**
- 12. Do not use water or detergents when cleaning the fan or fan blades. A dry dust cloth or lightly dampened cloth will be suitable for most cleaning.**
- 13. After making electrical connections, spliced conductors should be turned upward and pushed carefully up into outlet box. The wires should be spread apart with the grounded conductor and the equipment-grounding conductor on one side of the outlet box and the ungrounded conductor on the other side of the outlet box.**
- 14. Electrical diagrams are reference only. Light kits that are not packed with the fan must be cULus, cETLus, or cCSAus Listed and marked suitable for use with the model fan you are installing. Switches must be cULus, cETLus, or cCSAus General Use Switches. Refer to the Instructions packaged with the light kits and switches for proper assembly.**
- 15. All set screws must be checked, and retightened where necessary, before installation.**

WARNING: TO REDUCE THE RISK OF PERSONAL INJURY, DO NOT BEND THE BLADE BRACKETS (ALSO REFERRED TO AS FLANGES) DURING ASSEMBLY OR AFTER INSTALLATION. DO NOT INSERT OBJECTS IN THE PATH OF THE BLADES.

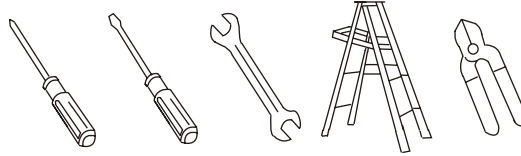
**310265(65") N.W.12.2KGS(26.9LBS)/
G.W.13.5KGS(29.8LBS)**

**310275(75") N.W.13.1KGS(28.9LBS)/
G.W.15KGS(33.1LBS)**

**310285(84") N.W.13.9KGS(30.6LBS)/
G.W.15.9KGS(35.1LBS)**

TOOLS REQUIRED

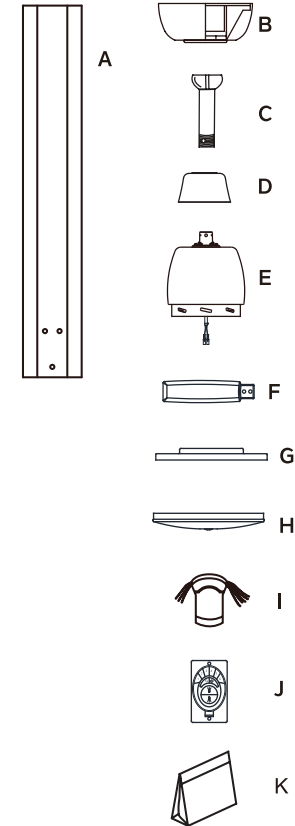
- Phillips Screwdriver
- Blade Screwdriver
- 11 mm Wrench
- Step Ladder
- Wire Cutters



PACKAGE CONTENTS

Unpack your fan and check the contents . You should have the following items:

- | | |
|--------------------------------------|---|
| A. Fan Blades (8) | K. Part Bag Contents |
| B. Canopy & Ceiling Mounting Bracket | 1) Mounting Hardware:
wood screws (2)
flat washers (2)
star washers (2)
wire nuts (3)
screws (2) |
| C. Ball/Downrod Assembly | 2) Blade Attachment Hardware:
blade screws (25)
fiber washers(25) |
| D. Coupling Cover | 3) Blade bracket attachment hardware:
bracket screws (18) |
| E. Fan Motor Assembly | 4) Safety cable hardware:
wood screw, flat washer |
| F. Set of 8 blade brackets | 5) Balance Kit |
| G. Mounting plate | |
| H. Decorative cover | |
| I. Receiver | |
| J. Transmitter UC7214T | |



MOUNTING OPTIONS

If there isn't an existing UL (cUL for Canadian Installation) listed mounting box, then read the following instructions. Disconnect the power by removing fuses or turning off circuit breakers.

Secure the outlet box directly to the building structure. Use appropriate fasteners and building materials.

If mounting fan #310265 or fan #310275, the outlet box and its support must be able to fully support the full weight of the fan (less than 15.9 kg (35 pounds)). Do not use plastic outlet boxes.

If mounting fan #310285, the outlet box and its support must be able to fully support the full weight of the fan (over 15.9 kg (35 pounds) and over). Do not use plastic outlet boxes.

Figures 1, 2 and 3 are examples of different ways to mount the outlet box.

NOTE: If you are installing the ceiling fan on a sloped (vaulted) ceiling, you may need a longer downrod to maintain proper clearance between the tip of the blade and the ceiling. A minimum clearance of 12" is suggested for optimal operation.

NOTE: Depending on the location you have selected for installation, you may need to purchase and install a "Joist Hanger" for the support of the outlet box. Make sure the joist hanger you purchase has been designed for use with ceiling fans. (Fig. 4)

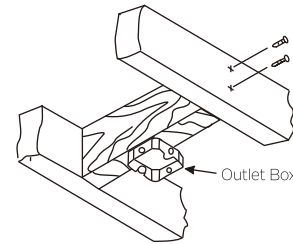


Fig. 1

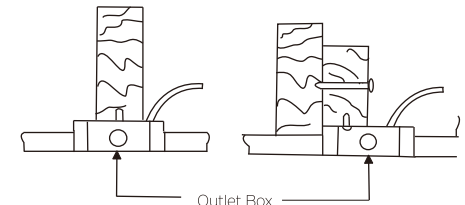


Fig. 2

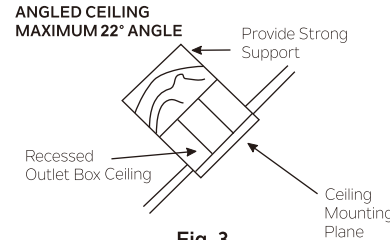


Fig. 3

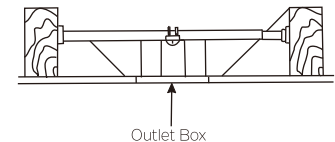


Fig. 4

HANGING THE FAN

CAUTION: To avoid possible electrical shock, be sure you have turned off the power at the main circuit panel.

To properly install your ceiling fan, follow the steps below.

Step 1. Remove the canopy trim ring from the canopy by turning the canopy trim ring counter clockwise. (Fig. 5)

Step 2. Remove the ceiling mounting bracket from the canopy by removing and saving one of the two screws. Loosen the remaining screw by a half turn. (Fig. 5)

Step 3. Pass the 120 volt supply wires from the ceiling outlet box through the center of the ceiling mounting bracket. (Fig. 6)

Step 4. Attach the ceiling mounting bracket to the outlet box using the screws and washers included with the outlet box. (Fig.6) (Also supplied in Mounting Hardware parts bag.)

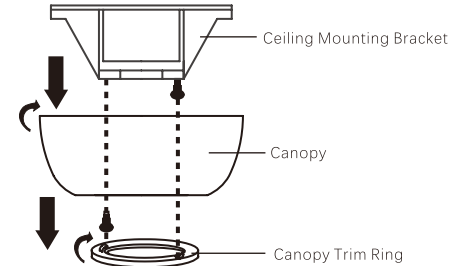


Fig. 5

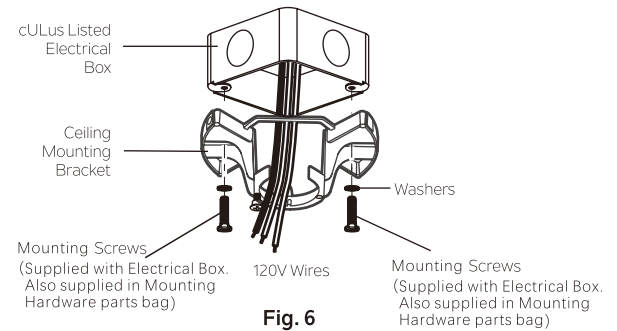


Fig. 6

HANGING THE FAN (continued)

WARNING: All set screws must be checked, and retightened where necessary, before installation.

Step 5. Remove the hanger ball from the downrod assembly by loosening the set screw, unscrewing and removing the cross pin and unscrewing the ball from the rod. (Fig. 7)

Step 6. Loosen the two set screws and remove the hitch pin and retaining clip from the coupling on top of the motor assembly. (Fig. 8)

Step 7. Carefully feed the electrical lead wires from the motor assembly up through the downrod. Thread the downrod into the coupling until the hitch pin holes are aligned.

Next, replace the hitch pin and retaining clip. Tighten both set screws. (Fig. 8)

NOTE: This fan comes with a 6" downrod. please cut off the electrical lead wires if you do not plan to use a longer downrod.

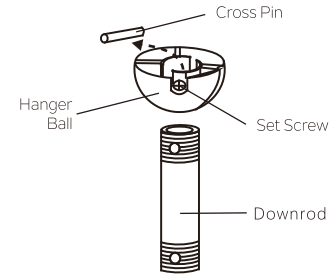


Fig. 7

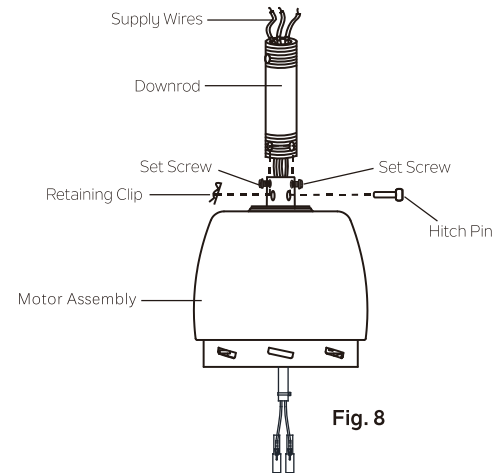


Fig. 8

HANGING THE FAN (continued)

Step 8. Slip the coupling cover, canopy trim ring (smooth finished side facing motor) and canopy onto the downrod. (Fig. 9)

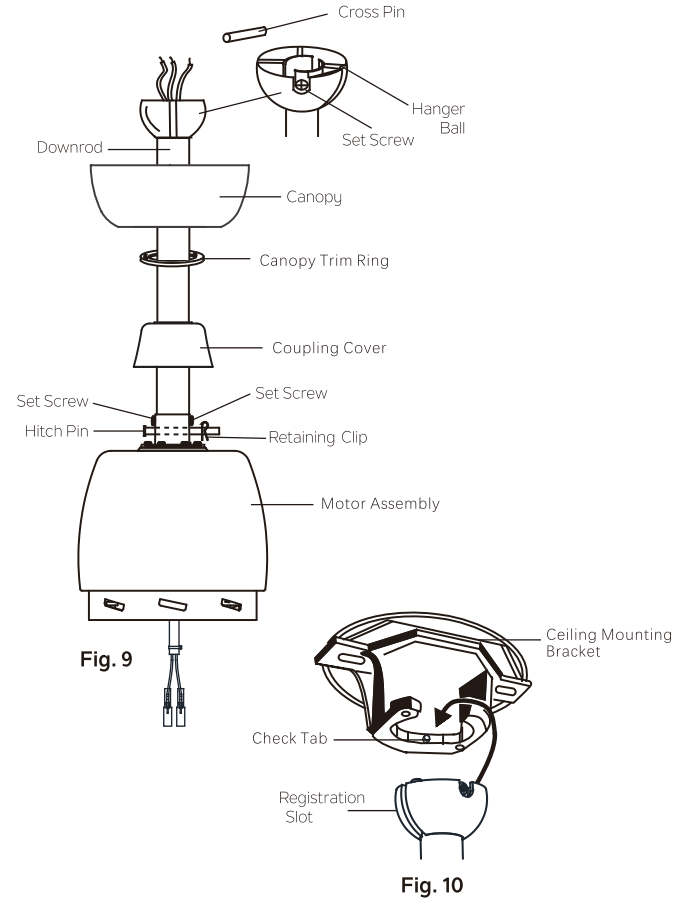
Thread the hanger ball onto the downrod, insert the cross pin through the downrod and tighten. Now tighten the set screw. (Fig. 9)

Step 9. Lift the motor assembly into position and place the hanger ball into the ceiling mounting bracket.

Rotate the entire assembly until the “Check Tab” has dropped into the “Registration Slot” and seats firmly. (Fig. 10)

The entire motor assembly should not rotate (left or right) when seated properly.

WARNING: Failure to reattach the cross pin and seat the “Check Tab” can cause the fan to fall from the ceiling during operation. Take special care to make sure this pin is reattached.



INSTALLATION OF SAFETY CABLE (required for Canadian installation ONLY)

A safety support cable is provided to help prevent the ceiling fan from falling, please install it as follows.

Step 1. Attach the wood screw and washer to the ceiling joist next to the mounting bracket but do not tighten. (Fig. 11)

Step 2. Adjust the length of the safety cable to reach the screw and washer by pulling the extra cable through the cable clamp until the overall length is correct, put the end of the cable back through the cable clamp, forming a loop at the end of the cable. Tighten the cable clamp securely. Now, put the loop in the end of the safety cable over the wood screw and under the washer. Tighten the wood screw securely.

NOTE: Although the safety support cable is required for Canadian installations only, it's a good idea to make the attachment with any installation.

ELECTRICAL CONNECTIONS

CAUTION: To avoid possible electrical shock, be sure you have turned off the power at the main circuit panel.

Step 1. Insert the receiver into the ceiling mounting bracket with the flat side of the receiver facing the ceiling. (Fig. 12) For best performance, make sure the Black Antenna, on the end of the receiver, remains extended and not tangled with any of the electrical wires.

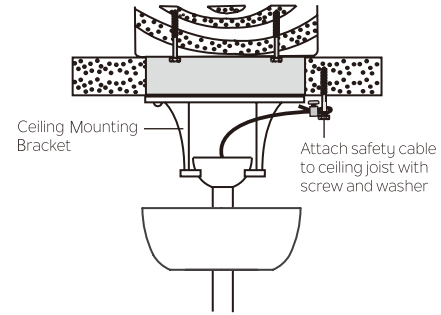


Fig. 11

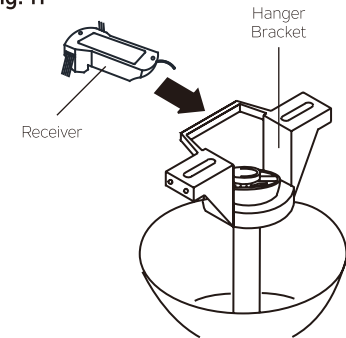


Fig. 12

ELECTRICAL CONNECTIONS (continued)

WARNING: Carefully read and retain this Instruction Manual for future reference.

WARNING: To avoid possible electrical shock, be sure the electricity is turned off at the main panel by removing the fuse or opening the circuit breaker.

WARNING: This control is designed for use with "DC Motor. Ceiling Fans" ONLY. DO NOT use with any other type of electrical appliance.

WARNING: All wiring must conform to national and local electrical codes. If you feel you do not have enough electrical knowledge, have a licensed electrician install the control.

WARNING: The amperage for your fan should not exceed 1A. The total wattage for the lights 300W.

Make each of the wire connections illustrated in Figure 13. Secure each with the wire nuts provided.

WARNING: Check to see that all connections are tight, including ground, and that no bare wire is visible at the wire connections.

After making all wire connections, turn the wire connecting nuts upward, and push the wiring into the outlet box. Separate the white (neutral) and green (ground) wire connections to the one side of the outlet box, and the black (hot) wire connections to the other side of the outlet box.

A. CEILING FAN TO RECEIVER WIRE CONNECTION

Step 1. Connect the Blue wire from the fan (motor) to the Blue wire from the receiver. White wire from the fan (motor) to the White wire from the receiver. Red wire from the fan (motor) to the Red wire from the receiver. Gray wire from the fan (motor) to the Gray wire from the receiver. Yellow wire from the fan (motor) to the Yellow wire from the receiver. (Fig13)

NOTE: If you DO NOT plan to use the light kit with your fan at this time, please DO NOT connect the Blue wires or White wires. Instead, cap each individual Blue wire and White wire with wire nuts.

B. RECEIVER TO HOUSEHOLD WIRE CONNECTION

Step 1. The black wire of the receiver (AC IN L) connects to the black wire (HOT) of the ceiling outlet box (Fig 13).

Step 2. The white wire (AC IN N) of the receiver connects to the white wire (NEUTRAL) of the ceiling outlet box.

Step 3. The ground wire (yellow/green) of the receiver connects to the ground conductor of the ceiling outlet box.

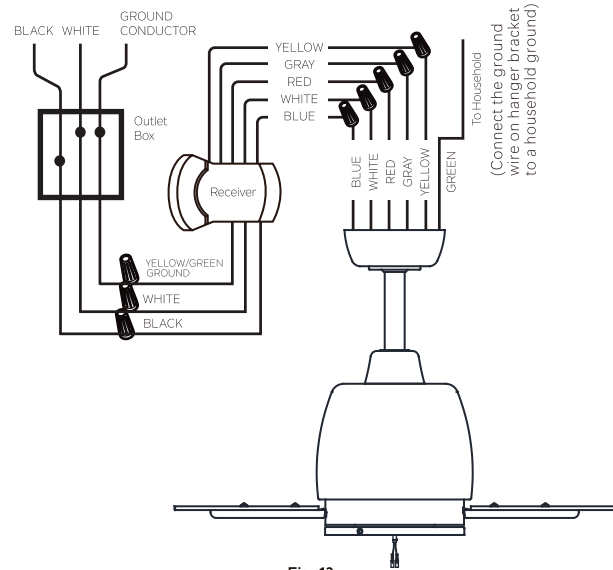


Fig. 13

FINISHING THE MOTOR INSTALLATION

CAUTION: To avoid possible electrical shock, be sure you have turned off the power at the main circuit panel.

Step 1. Tuck all the connections neatly into the ceiling outlet box.

Step 2. Slide the canopy up to the mounting bracket and place one of the key hole slots over the mounting screw on the mounting bracket. Rotate the canopy until the screw head locks in place at the narrow section of the key hole. See figure 14.

Step 3. Align the remaining circular hole on the canopy with the remaining hole on the Ceiling Mounting Bracket. Insert and tighten the mounting screw you removed earlier and the mounting screw from Step 2 above. Now, attach the canopy trim ring to the mounting screw heads by inserting the screw heads into the bottom side of the canopy trim ring and rotating the canopy trim ring clockwise.

NOTE: Adjust the canopy screws as necessary until the canopy and canopy trim ring are snug. (Fig. 14)

WARNING: Make sure the “Check Tab” at the bottom of the hanger bracket is properly seated in the “Registration Slot” on the side of the hanger ball before attaching the canopy to the bracket. Failure to properly seat the “Check Tab” could damage the electrical wires when ceiling fan blade direction is changed while the fan is running.

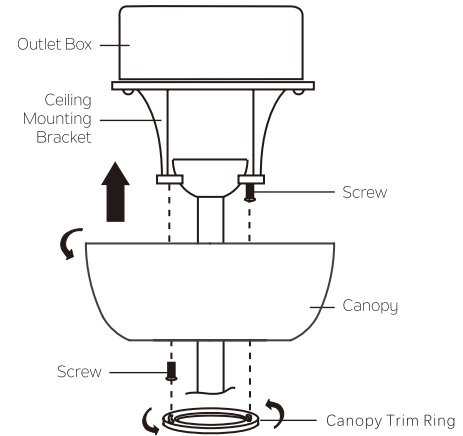


Fig. 14

CAUTION: To reduce the risk of electric shock, disconnect the fan power circuit, turn off the circuit breaker or remove the fuse from the fuse box before installing the fan blades, blade brackets, mounting plate, decorative cover, and light kit (not included).

INSTALLING THE FAN BLADES AND BLADE BRACKETS

Step 1. Attach the blades to the blade brackets using the blade screws and fiber washers provided. (Fig 15) When mounting blades onto the blade brackets, make sure the blades are flat. Tighten each blade screw to secure, then repeat for each blade.

Step 2. Insert a blade bracket into the flywheel. (Fig 15) Align the blade bracket mounting holes with the mounting holes in the flywheel, attach the blade bracket to the flywheel using the bracket screws provided, and tighten bracket screws to secure. Repeat for the remaining blade brackets.

INSTALLING THE MOUNTING PLATE

Step 1. Loosen the two screws on the mounting ring attached to the motor shaft and remove and save the third screw. (Fig 16)

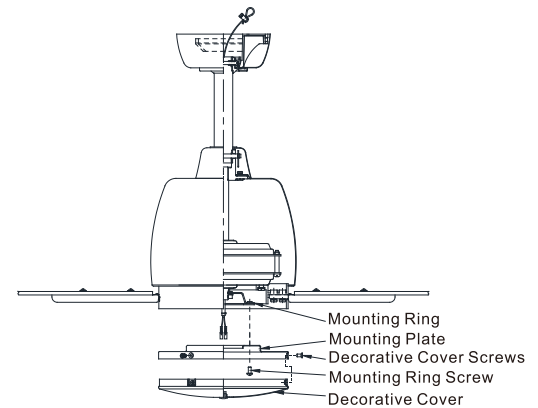
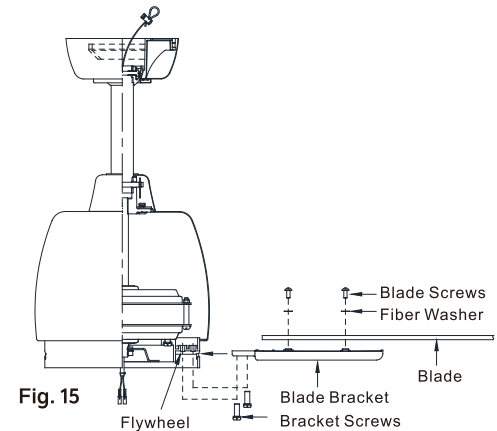
Step 2. Place the keyhole slots of the mounting plate over the two screws that were previously loosened on the mounting ring. Turn the mounting plate clockwise until it locks in place at the narrow ends of the keyhole slots. Tighten the two keyhole screws, reinstall the third screw that was removed earlier and tighten to secure. (Fig 16)

INSTALLING THE DECORATIVE COVER

Step 1. Remove the three preinstalled mounting screws from the outside edge of the decorative cover. (Fig 16)

Step 2. Insert the decorative cover into the mounting plate with the holes in the outside edge of the decorative cover aligned with the holes in the outside edge of the mounting plate. Thread the three previously removed mounting screws into the decorative cover and mounting plate, and tighten to secure. (Fig 16)

NOTE: If you plan to install an LED light kit at this time, first install the LED light kit to the decorative cover, then connect the wires from the light kit to the wires from the fan, then install the decorative cover to the mounting plate.



INSTALLING THE COOLTOUCH™ WALL PLATE

WARNING: All wiring must be in accordance with the National Electrical Code and local electrical codes. Electrical installation should be performed by a qualified licensed electrician.

Select a location to install your CoolTouch™ wall plate. You can replace an existing wall switch, or install the wall plate on ANY flat surface.

Option 1: Install the wall plate using an existing wall switch outlet box.

NOTE: Switch installation must comply with all local and national electric code.

Make sure the electrical power is TURNED OFF at the main panel before continuing.

Step 1. Remove the existing wall plate and the old switch from the wall outlet box.

Wire nut the BLACK leads (hot) together and push back inside the outlet box. (Fig. 17)

Step 2. Install the CoolTouch™ wall plate to the existing wall outlet box with 2 screws provided. Insert the two plastic plugs into the wall plate. (Fig. 18)

Option 2: Install the wall plate on ANY flat surface.

Step 1. Select the desired location and use the CoolTouch™ wall plate to mark the location for the mounting holes.

Step 2. Use the drywall anchors and screws provided to finish the installation.

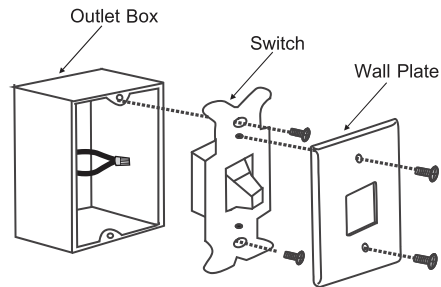


Fig. 17

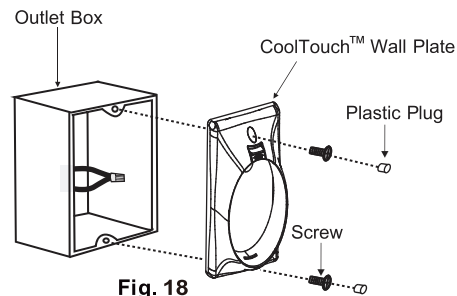


Fig. 18

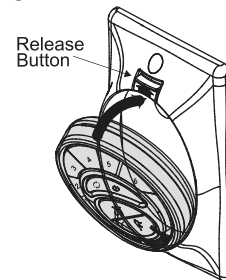


Fig. 19

INSTALLING THE TRANSMITTER

Step 1. Insert the transmitter into the wall plate by inserting the bottom of the transmitter first and then pressing the top of the transmitter into the pocket. The transmitter will fully function from this location or you can remove the transmitter and use it as a hand held device. (Fig. 19)

Step 2. To remove the transmitter from the wall plate, push the release button and the transmitter will fall into your hand.

OPERATING INSTRUCTIONS

INSTALLING THE TRANSMITTER BATTERIES (Fig. 20)

Step 1. Remove the back cover of the transmitter and safety screw.(Fig.20) Install two CR2032 3V batteries (with the + side facing up). Note: To prevent damage to the transmitter, remove the batteries if not in use for long periods of time (several months).

Step 2. Replace back cover of transmitter and safety screw.



WARNING: Chemical Burn Hazard. Keep batteries away from children. This product contains a lithium button/coin cell battery. If a new or used lithium button/coin cell battery is swallowed or enters the body, it can cause severe internal burns and can lead to death in less than 2 hours. Always completely secure the battery compartment. If the battery compartment does not close securely, stop using the product, remove the batteries, and keep it away from children. If you think batteries might have been swallowed or placed inside any part of the body, seek immediate medical attention.

a) The cells shall be disposed of properly, including keeping them away from children;and
b) Even used cells may cause injury.

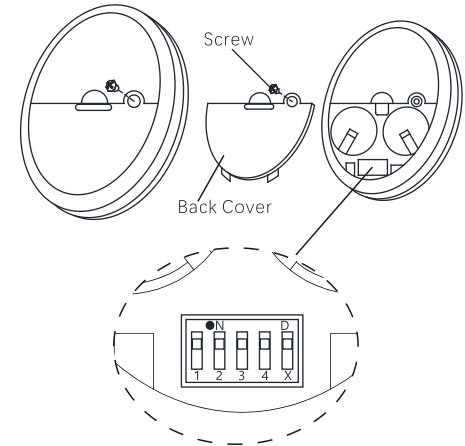


Fig. 20

SETTING THE "1-4" FREQUENCY DIP SWITCHES (Fig.20)

NOTE: The frequency dip switches "1-4" have been set at the factory. No frequency change is necessary.

If you need to change the frequency of your transmitter, adjust the dip switches to a new setting. Then, follow the "PAIRING THE TRANSMITTER TO THE FAN" instructions on the next page.

SETTING THE "D/X" LIGHT FUNCTION DIP SWITCH (Fig. 20)

If an accessory light kit is installed to this fan, the D/X (Dimmable/Non Dimmable) switch on the transmitter should be set to match the light source used.

Set the switch to "D" if the light kit is a dimmable integrated LED fixture, or has incandescent, halogen, or dimmable LED lamps installed.

Set the switch to "X" if the light kit is a non-dimmable integrated LED fixture, or has fluorescent or non-dimmable LED lamps installed.

WARNING: If the "D/X" switch is not set correctly, the lighting control system will operate erratically and could damage your ceiling fan.

OPERATING INSTRUCTIONS (continued)

PAIRING THE TRANSMITTER TO THE FAN

NOTE: Your transmitter has been paired to your fan's receiver at the factory. No frequency change is necessary. If the fan is non-functional or if you would like to install an additional fan with a separate frequency code, follow Step 1 to pair a transmitter to a receiver.

WARNING: Make sure the power is completely disconnected before you begin this process.

Important: Fan motor and fan blades must be installed before the pairing process can begin.

Step 1. Restore power to the ceiling fan branch circuit at the circuit breaker or fuse box. Within 60 seconds of restoring power, press and hold the "⏻" button on the transmitter (Fig.21) for 5 seconds. The back light in the remote will flash twice and the fan will rotate for several seconds. This confirms that the pairing process is complete. The transmitter will now be paired to your fan and ready for use.

Step 2. Try different speed settings on the transmitter to make sure the fan is fully functional. If programming is unsuccessful, retry step 1 again.

NOTE: Please keep this page in case future reprogramming is needed, or an additional remote control is added.

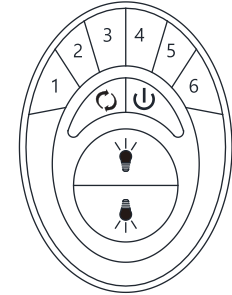


Fig. 21

BUTTON INSTRUCTIONS

Fan speed control buttons 

1 is the lowest speed and 6 is the highest speed.

Press one of the buttons to start the fan at the corresponding speed, or to change speeds.

OFF Button 

Press once to stop the fan.

Reverse button 

While the fan is running, press the reverse button once, and the fan will reverse direction.

Light Button 

Press once to turn the light on or off.

Press and hold to dim or brighten the light to the desired level, then release.

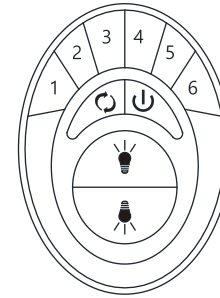


Fig. 22

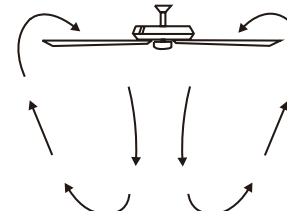


Fig. 23

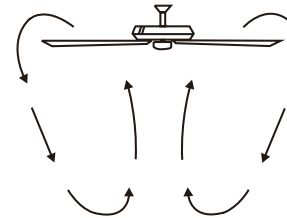


Fig. 24

REVERSE FUNCTION

To operate the reverse function on this fan, press the “Reverse” button on transmitter while fan is running.

Warm weather - Forward (counter clockwise) A downward airflow creates a cooling effect as shown in (Fig.23) This allows you to set your air conditioner on a warmer setting without affecting your comfort.

Cool weather - Reverse (clockwise) An upward airflow moves warm air off the ceiling area as shown in (Fig.24).This allows you to set your heating unit on a cooler setting without affecting your comfort.

TROUBLESHOOTING

Problem	Solution
Fan will not start.	<ol style="list-style-type: none">1. Check circuit fuses or breakers.2. Ensure that the batteries in the transmitter are installed properly with the + side facing up, and that they still have power.3. Check all electrical connections to ensure proper contact. CAUTION: Make sure the main power is OFF when checking any electrical connection.
Fan sounds noisy.	<ol style="list-style-type: none">1. Make sure all motor housing screws are snug.2. Make sure the screws that attach the fan blade brackets to the motor are tight.3. Make sure wire nut connections are not rubbing against each other or the interior wall of the switch housing. CAUTION: Make sure main power is off.4. Allow a 24-hour “breaking-in” period. Most noise associated with a new fan will disappear during this time.5. If using an optional light kit, make sure the screws securing the glassware are tight. Make sure the light bulbs are not touching any other component.6. Do not connect this fan to wall mounted variable speed control(s). They are not compatible with ceiling fan motors or remote controls.7. Make sure the upper canopy is a short distance from the ceiling. It should not touch the ceiling.

TROUBLESHOOTING

Problem

Solution

Fan wobble.

1. Check that all blade and blade arm screws are secure.
2. Most fan wobbling problems are caused when blade levels are unequal. Check this level by selecting a point on the ceiling above the tip of one of the blades. Measure this distance. Rotate the fan until the next blade is positioned for measurement. Repeat for each blade. The distance deviation should be equal within 1/8".
3. If the blade wobble is still noticeable, interchanging two adjacent (side by side) blades can redistribute the weight and possibly result in smoother operation.

Remote control malfunction.

1. Ceiling Fans with remote control systems CAN NOT be operated in conjunction with any other control system EXCEPT a basic On/Off wall switch if desired.

WARNING: TO REDUCE THE RISK OF PERSONAL INJURY AND TO ENSURE THE PROPER OPERATION OF YOUR CEILING FAN, NEVER ATTACH THE BLADE ASSEMBLIES UNTIL THE CEILING FAN HAS BEEN MOUNTED ON THE CEILING. DO NOT BEND THE BLADE ARMS WHILE INSTALLING, BALANCING OR CLEANING THE FAN. DO NOT INSERT FOREIGN OBJECTS BETWEEN ROTATING FAN BLADES.

FCC INFORMATION

This device complies with part 15 of the FCC Rules. Operation is subject to the following two conditions:

- 1) This device may not cause harmful interference, and
- 2) This device must accept any interference received, including interference that may cause undesired operation.

Note: This equipment has been tested and found to comply with the limits for a Class B digital device, pursuant to part 15 of the FCC Rules. These limits are designed to provide reasonable protection against harmful interference in a residential installation. This equipment generates, uses and can radiate radio frequency energy and, if not installed and used in accordance with the instructions, may cause harmful interference to radio communications. However, there is no guarantee that interference will not occur in a particular installation. If this equipment does cause harmful interference to radio or television reception, which can be determined by turning the equipment off and on, the user is encouraged to try to correct the interference by one or more of the following measures:

- Reorient or relocate the receiving antenna.
- Increase the separation between the equipment and receiver.
- Connect the equipment into an outlet on a circuit different from that to which the receiver is connected.
- Consult the dealer or an experienced radio/TV technician for help.

KICHLER®

www.kichler.com

KICHLER LIGHTING LLC

30455 SOLON ROAD

SOLON, OHIO 44139

CUSTOMER SERVICE 866.558.5706

8:00 AM TO 5:00 PM EST, MONDAY - FRIDAY

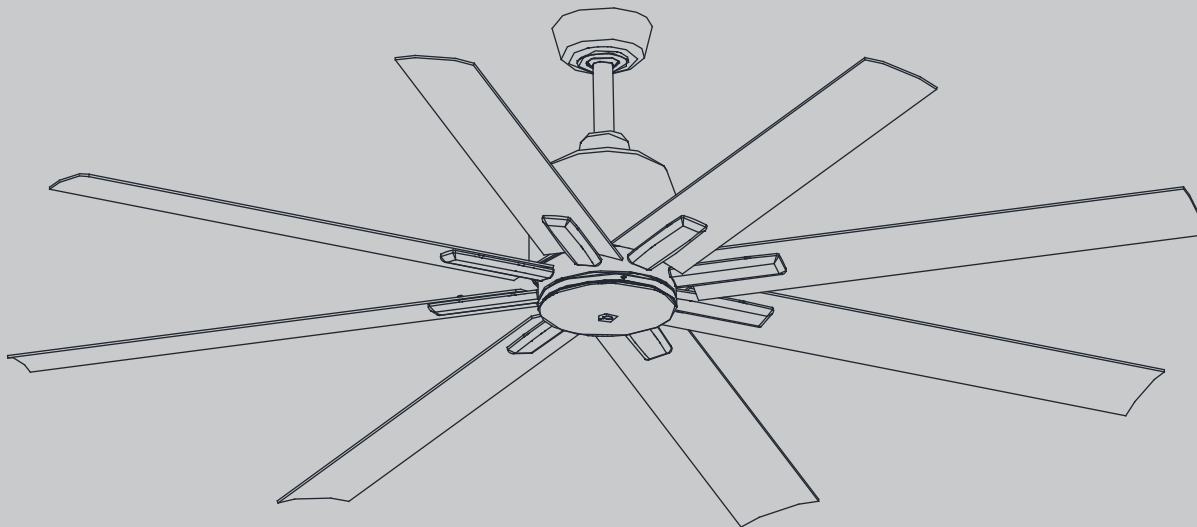
2023/5/25

© Kichler Lighting LLC. All Rights Reserved.

KICHLER®

Breda

Les images du produit peuvent varier légèrement par rapport au produit réel.



MANUEL D'INSTRUCTIONS

Modèle n° : 310265(65")

310275(75")

310285(84")

LIRE ET CONSERVER CES INSTRUCTIONS

TABLE DES MATIÈRES

RÈGLES DE SÉCURITÉ	3	INSTALLATION DE LA PLAQUE DE MONTAGE.....	13
OUTILS NÉCESSAIRES	5	INSTALLATION DU COUVERCLE DÉCORATIF	13
CONTENU DU PAQUET	5	INSTALLATION DE LA PLAQUE MURALE COOLTOUCH™	14
OPTIONS DE MONTAGE.....	6	INSTALLATION DU TRANSMETTEUR	14
SUSPENDRE LE VENTILATEUR	7	INSTRUCTIONS D'UTILISATION	15
INSTALLATION DU CÂBLE DE SÉCURITÉ.....	10	INSTRUCTIONS POUR LE BOUTON	17
CONNEXIONS ÉLECTRIQUES	10	FONCTION INVERSE	17
FINITION DE L'INSTALLATION DU MOTEUR	12	DÉPANNAGE	18
INSTALLATION DES PALES ET DES SUPPORTS DE PALES DU VENTILATEUR	13	INFORMATIONS SUR LE FCC	20

RÈGLES DE SÉCURITÉ

- 1. ATTENTION - RISQUE DE CHOC** - Avant de commencer et pendant l'installation, coupez l'alimentation électrique au niveau du panneau principal des disjoncteurs ou de la boîte à fusibles principale.
- 2. AVERTISSEMENT** : Tous les branchements doivent être conformes au code national de l'électricité « ANSI/NFPA 70 » et aux codes locaux de l'électricité. L'installation électrique doit être effectuée par un électricien qualifié et agréé.
- 3. AVERTISSEMENT** : Pour réduire le risque d'électrocution, ce ventilateur doit être installé avec une commande murale/un interrupteur d'isolement.
- 4. AVERTISSEMENT** : Ne convient pas aux régulateurs de vitesse à semi-conducteurs.
- 5. AVERTISSEMENT** : Si vous montez le ventilateur n° 310265 ou le ventilateur n° 310275, pour réduire le risque d'incendie, d'électrocution ou de blessure, montez-le sur une boîte de sortie pour ventilateur de plafond portant la mention « acceptable pour un support de ventilateur de moins de 15,9 kg (35 lb) » et utilisez les vis de montage fournies avec la boîte de sortie.
Si vous montez le ventilateur n° 310285, pour réduire les risques d'incendie, d'électrocution ou de blessure, montez-le sur une boîte de sortie homologuée pour les ventilateurs de plafond, certifiée pour plus de 15,9 kg (35 lb) et plus, et portant la mention « acceptable pour les installations de ventilateurs de plafond », et utilisez les vis de montage fournies avec la boîte de sortie.

La plupart des boîtes de sortie utilisées pour le support des appareils d'éclairage ne sont pas acceptables pour le support des ventilateurs et peuvent devoir être remplacées. En raison de la complexité de l'installation de ce ventilateur, il est fortement recommandé de faire appel à un électricien qualifié et agréé.

- 6. Si vous montez le ventilateur n°310265 ou le ventilateur n°310275, la boîte de sortie et la structure de support doivent être solidement montées et capables de supporter de manière fiable moins de 15,9 kg (35 livres). Utiliser uniquement des boîtes de sortie homologuées cULus portant la mention « acceptable pour un support de ventilateur de moins de 15,9 kg (35 lb) ».**
Si vous montez le ventilateur n°310285, la boîte de sortie et la structure de support doivent être solidement montées et capables de supporter de manière fiable plus de 15,9 kg (35 lb) et plus. Utilisez uniquement des boîtes de sortie homologuées cULus et portant la mention « acceptable pour les installations de ventilateurs de plafond ».
- 7. Le ventilateur doit être monté avec un espace minimum de 2,1 m (7 pieds) entre le bord de fuite des pales et le sol.**
- 8. Pour faire fonctionner la fonction de marche arrière de ce ventilateur, appuyez sur le bouton de marche arrière lorsque le ventilateur est en marche.**

RÈGLES DE SÉCURITÉ (suite)

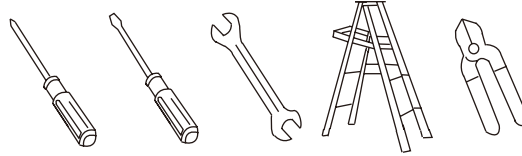
9. Évitez de placer des objets dans la trajectoire des pales.
10. **AVERTISSEMENT** : Assurez-vous que l'alimentation électrique est déconnectée avant de nettoyer votre ventilateur.
11. Pour éviter les blessures ou les dommages au ventilateur et à d'autres objets, soyez prudent lorsque vous travaillez autour du ventilateur ou lorsque vous le nettoyez.
12. Ne pas utiliser d'eau ou de détergents pour nettoyer le ventilateur ou ses pales. Un chiffon sec ou légèrement humidifié convient pour la plupart des nettoyages.
13. Une fois les connexions électriques effectuées, les conducteurs épissés doivent être tournés vers le haut et poussés avec précaution dans la boîte de sortie. Les fils doivent être écartés, le conducteur de mise à la terre et le conducteur de mise à la terre de l'équipement se trouvant d'un côté de la boîte de sortie et le conducteur non mis à la terre se trouvant de l'autre côté de la boîte de sortie.
14. Les schémas électriques ne sont donnés qu'à titre de référence. Les kits d'éclairage qui ne sont pas fournis avec le ventilateur doivent être homologués cULus, cETLus ou cCSAus et porter la mention « compatible avec le modèle de ventilateur que vous installez ». Les commutateurs doivent être des commutateurs à usage général cULus, cETLus ou cCSAus. Consultez les instructions fournies avec les kits d'éclairage et les interrupteurs pour un assemblage correct.
15. Il est nécessaire de vérifier toutes les vis de réglage et de les resserrer, le cas échéant, avant de procéder à l'installation.
AVERTISSEMENT : POUR RÉDUIRE LES RISQUES DE BLESSURES, NE PAS PLIER LES SUPPORTS DE PALE (ÉGALEMENT APPELÉS BRIDES) PENDANT L'ASSEMBLAGE OU APRÈS L'INSTALLATION. NE PAS INSÉRER D'OBJETS DANS LA TRAJECTOIRE DES PALES.
310265 (65") PDS N 12,2KGS (26,9LBS)/
PDS B 13,5 KGS (29,8 LBS)

310275 (75") PDS N 13,1KGS (28,9LBS)/
PDS B 15KGS (33,1 LBS)

310285 (84") PDS N 13,9KGS (30,6LBS)/
PDS B 15,9KGS (35,1 LBS)

OUTILS NÉCESSAIRES

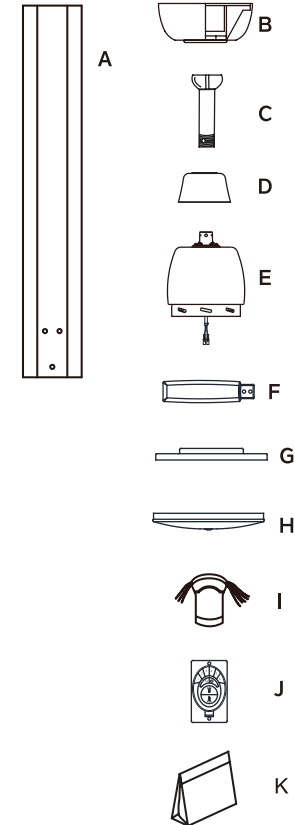
- Tournevis Phillips
- Tournevis à lame
- Clé de 11 mm
- Escabeau
- Pince coupante



CONTENU DU PAQUET

Déballez votre ventilateur et vérifiez son contenu. Vous devriez trouver les éléments suivants :

- | | |
|--|--|
| A.Pales de ventilateur (8) | K.Contenu du sac de pièces |
| B.Support de montage au plafond et canopée | 1)Matériel de montage :
vis à bois (2) rondelles plates (2)
rondelles étoilées (2) vis (2)
écrous en fil de fer (3) |
| C.Assemblage de la boule et de la tige descendante | 2)Matériel de fixation de la pale :
vis de pale (25)
rondelles en fibre(25) |
| D.Couvercle d'accouplement | 3)Matériel de fixation du support de pale :
vis du support (18) |
| E.Assemblage du moteur du ventilateur | 4)Matériel pour le câble de sécurité :
vis à bois, rondelle plate |
| F.Jeu de 8 supports de pale | 5)Kit d'équilibre |
| G.Plaque de montage | |
| H.Couverture décorative | |
| I.Récepteur | |
| J.Transmetteur UC7214T | |



OPTIONS DE MONTAGE

S'il n'existe pas de boîte de montage homologuée UL (cUL pour l'installation au Canada), lisez les instructions suivantes. Couper l'alimentation en retirant les fusibles ou en coupant les disjoncteurs.

Fixer la boîte de sortie directement à la structure du bâtiment. Utiliser des fixations et des matériaux de construction appropriés.

Si vous montez le ventilateur n°310265 ou le ventilateur n°310275, la boîte de sortie et son support doivent pouvoir supporter le poids total du ventilateur (moins de 15,9 kg (35 livres)). Ne pas utiliser de boîtes de sortie en plastique.

Si vous montez le ventilateur n°310285, la boîte de sortie et son support doivent pouvoir supporter le poids total du ventilateur (plus de 15,9 kg (35 livres) et plus). Ne pas utiliser de boîtes de sortie en plastique.

Les figures 1, 2 et 3 sont des exemples de différentes manières de monter la boîte de sortie.

REMARQUE : Si vous installez le ventilateur de plafond sur un plafond incliné (voûté), il se peut que vous ayez besoin d'une tige de descente plus longue pour maintenir un espace suffisant entre l'extrémité de la pale et le plafond. Pour un fonctionnement optimal, il est conseillé de prévoir un dégagement minimum de 12".

REMARQUE : En fonction de l'emplacement choisi pour l'installation, il peut être nécessaire d'acheter et d'installer une « suspente de solive » pour soutenir la boîte de sortie. Assurez-vous que la suspension de solive que vous achetez a été conçue pour être utilisée avec des ventilateurs de plafond. (Fig.4)

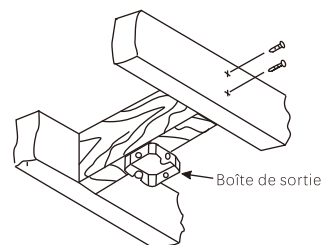


Fig.1

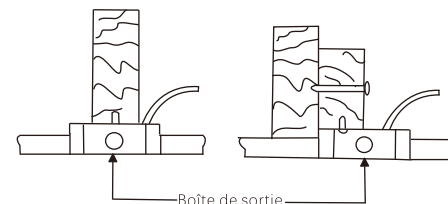


Fig.2

**PLAFOND INCLINÉ
ANGLE MAXIMAL DE 22°**

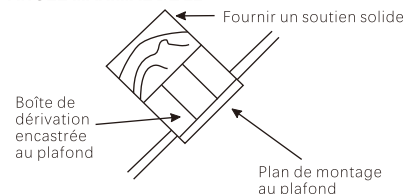


Fig.3

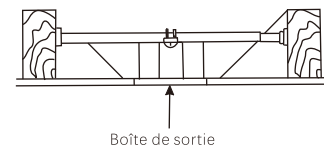


Fig.4

SUSPENDRE LE VENTILATEUR

ATTENTION : Il est recommandé de couper l'alimentation au niveau du tableau de distribution principal afin d'éviter tout risque d'électrocution.

Pour installer correctement votre ventilateur de plafond, suivez les étapes ci-dessous.

Étape 1. Retirez le anneau de garniture de canopée de la canopée en la tournant dans le sens inverse des aiguilles d'une montre. (Fig.5)

Étape 2. Retirez le support de montage au plafond de la canopée en enlevant et en conservant l'une des deux vis. Desserrer la vis restante d'un demi-tour. (Fig.5)

Étape 3. Faites passer les fils d'alimentation de 120 volts de la boîte de sortie du plafond par le centre du support de montage au plafond. (Fig.6)

Étape 4. Fixez le support de montage au plafond à la boîte de sortie à l'aide des vis et des rondelles fournies avec la boîte de sortie. (Fig.6) (Également fournies dans le sachet de pièces de montage.)

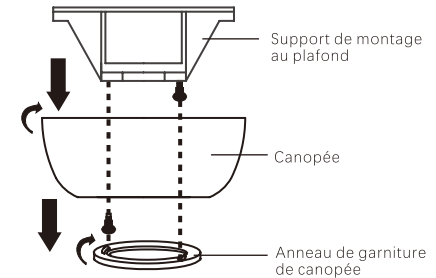


Fig.5

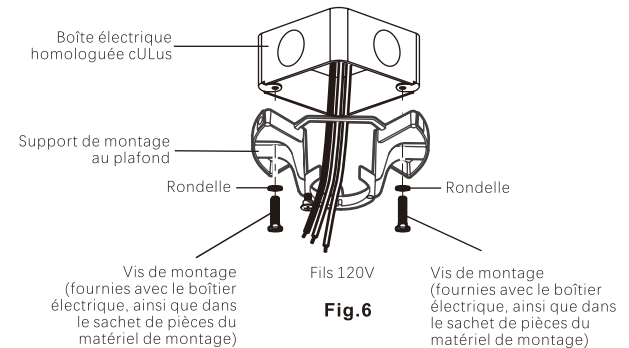


Fig.6

SUSPENDRE LE VENTILATEUR (suite)

AVERTISSEMENT : Toutes les vis de réglage doivent être vérifiées et resserrées si nécessaire avant l'installation.

Étape 5. Retirer la boule de suspension de l'assemblage de la tige descendante en desserrant la vis de réglage, en dévissant et en retirant la goupille transversale et en dévissant la boule de la tige. (Fig.7)

Étape 6. Desserrez les deux vis de réglage et retirez la goupille d'attelage et le clip de retenue de l'accouplement situé sur le dessus de l'assemblage du moteur. (Fig.8)

Étape 7. Faites passer avec précaution les fils électriques de l'assemblage du moteur à travers la tige de descendante. Visser la tige descendante dans l'attelage jusqu'à ce que les trous de goupille d'attelage soient alignés.

Remettez ensuite en place la goupille d'attelage et le clip de retenue. Serrer les deux vis de réglage. (Fig.8)

NOTE : Ce ventilateur est livré avec une tige de descendante de 6". Veuillez couper les fils électriques si vous n'avez pas l'intention d'utiliser une tige de descendante plus longue.

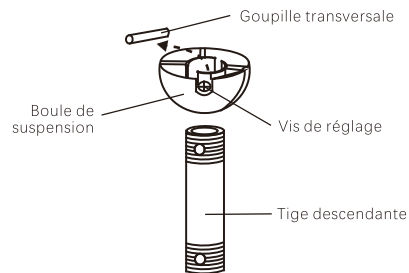


Fig.7

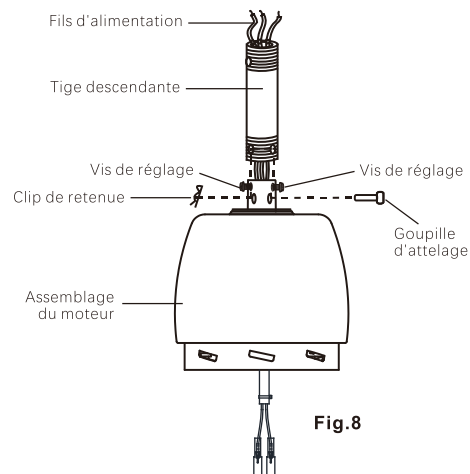


Fig.8

SUSPENDRE LE VENTILATEUR (suite)

Étape 8. Glisser le couvercle de l'accouplement, l'anneau de garniture de canopée (face lisse tournée vers le moteur) et la canopée sur la tige de descendante. (Fig.9)

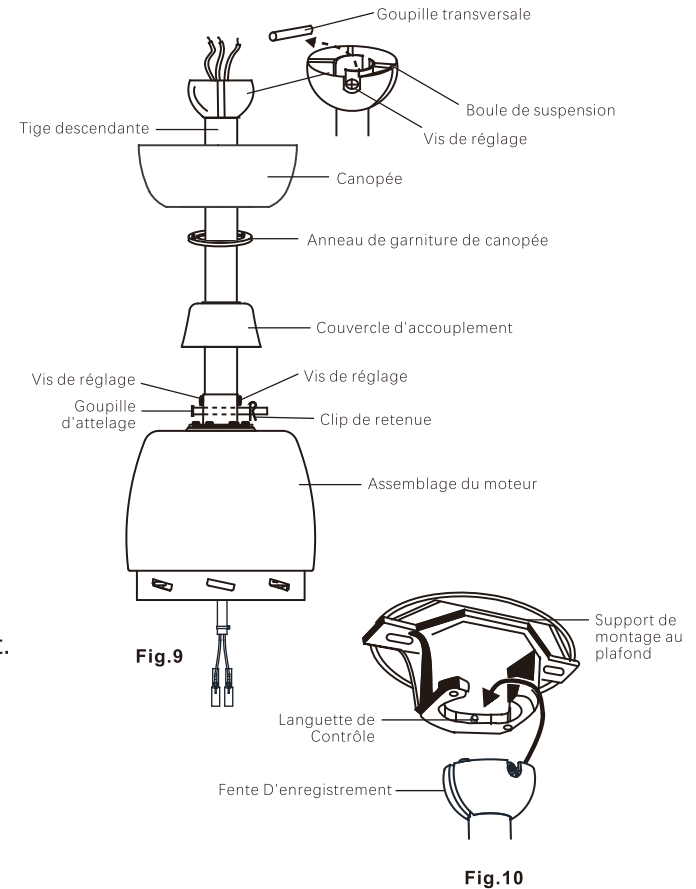
Enfiler la boule de suspension sur la tige de descendante, insérer la goupille transversale dans la tige de descendante et serrer. Serrer ensuite la vis de réglage. (Fig.9)

Étape 9. Soulevez assemblage du moteur en position et placez la boule de suspension dans le support de montage au plafond.

Faites tourner l'ensemble jusqu'à ce que la « languette de contrôle » soit tombée dans la « fente d'enregistrement » et s'y loge fermement. (Fig.10)

Le moteur entier ne doit pas tourner (à gauche ou à droite) lorsqu'il est correctement installé.

AVERTISSEMENT : Si la goupille transversale n'est pas remise en place et si la « languette de contrôle » n'est pas installée, le ventilateur peut tomber du plafond pendant son fonctionnement. Veillez tout particulièrement à ce que cette goupille soit remise en place.



INSTALLATION DU CÂBLE DE SÉCURITÉ (nécessaire pour l'installation au Canada UNIQUEMENT)

Un câble de support de sécurité est fourni pour éviter que le ventilateur de plafond ne tombe.

Étape 1. Fixez la vis à bois et la rondelle sur la solive du plafond à côté du support de montage, mais ne serrez pas. (Fig.11)

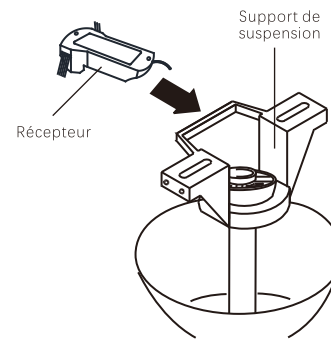
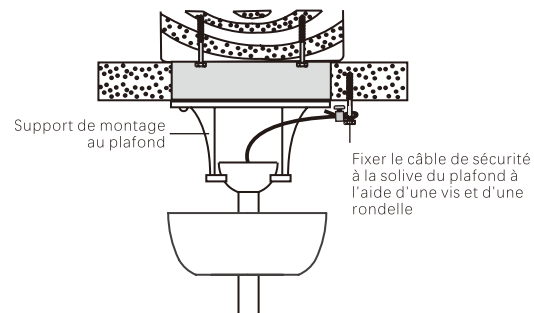
Étape 2. Pour atteindre la vis et la rondelle, régler la longueur du câble de sécurité en tirant le câble supplémentaire à travers le serre-câble jusqu'à ce que la longueur totale soit correcte, repasser l'extrémité du câble à travers le serre-câble, en formant une boucle à l'extrémité du câble. Serrer fermement le serre-câble. Passez maintenant la boucle de l'extrémité du câble de sécurité par-dessus la vis à bois et sous la rondelle. Serrer fermement la vis à bois.

REMARQUE : Bien que le câble de support de sécurité ne soit requis que pour les installations canadiennes, il est conseillé de l'attacher à toute installation.

CONNEXIONS ÉLECTRIQUES

ATTENTION : Il est recommandé de couper l'alimentation au niveau du tableau de distribution principal afin d'éviter tout risque d'électrocution.

Étape 1. Insérez le récepteur dans le support de montage au plafond, le côté plat du récepteur étant orienté vers le plafond. (Fig.12) Pour de meilleures performances, assurez-vous que l'antenne noire, située à l'extrémité du récepteur, reste déployée et ne s'emmêle pas avec les fils électriques.



CONNEXIONS ÉLECTRIQUES (suite)

AVERTISSEMENT : Lisez attentivement et conservez ce manuel d'instructions pour toute référence ultérieure.

AVERTISSEMENT : Il est important de s'assurer que l'électricité est coupée au niveau du panneau principal en retirant le fusible ou en ouvrant le disjoncteur afin d'éviter tout risque d'électrocution.

AVERTISSEMENT : Ce dispositif de commande est conçu pour être utilisé avec les « ventilateurs de plafond à moteur à courant continu » **UNIQUEMENT**. NE PAS utiliser avec d'autres types d'appareils électriques.

AVERTISSEMENT : Tous les câblages doivent être conformes aux codes électriques nationaux et locaux. Si vous pensez ne pas avoir suffisamment de connaissances en électricité, demandez à un électricien agréé d'installer la commande.

AVERTISSEMENT : L'ampérage de votre ventilateur ne doit pas dépasser 1A. La puissance totale des lampes est de 300 W.

Effectuez chacune des connexions de fils illustrées dans la figure 13. Fixez chacun d'entre eux à l'aide des écrous fournis.

AVERTISSEMENT : Assurez-vous que toutes les connexions sont bien serrées, y compris la mise à la terre, et qu'aucun fil dénudé n'est visible au niveau des connexions.

Après avoir effectué tous les raccordements, tournez les écrous de raccordement des fils vers le haut et poussez le câblage dans la boîte de sortie.

Séparez les connexions des fils blanc (neutre) et vert (terre) d'un côté de la boîte de sortie, et les connexions du fil noir (chaud) de l'autre côté de la boîte de sortie.

A. RACCORDEMENT DES FILS ENTRE LE VENTILATEUR DE PLAFOND ET LE RÉCEPTEUR

Étape 1. Veuillez connecter le fil bleu du ventilateur (moteur) au fil bleu du récepteur. Entre le fil blanc du ventilateur (moteur) et le fil blanc du récepteur. Raccordez le fil rouge du ventilateur (moteur) au fil rouge du récepteur. Raccordez le fil gris du ventilateur (moteur) au fil gris du récepteur. Relier le fil jaune du ventilateur (moteur) au fil jaune du récepteur. (Fig. 13)

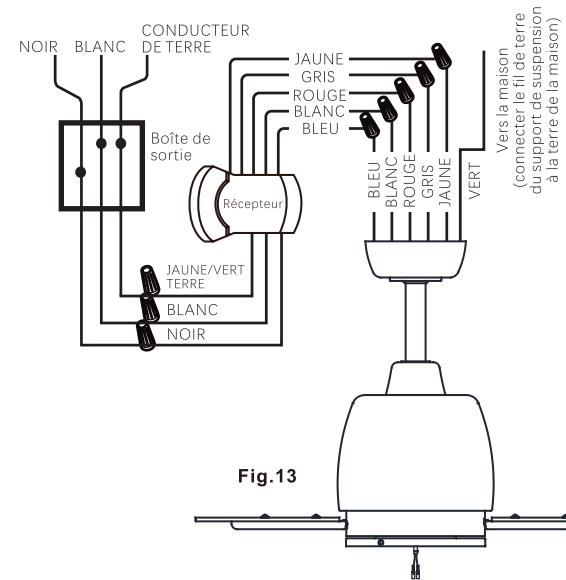
REMARQUE : Si vous n'avez PAS l'intention d'utiliser le kit d'éclairage avec votre ventilateur pour le moment, ne connectez PAS les fils bleus ou les fils blancs. Au lieu de cela, il faut boucher chaque fil bleu et chaque fil blanc à l'aide d'écrous.

B. RACCORDEMENT DU RÉCEPTEUR AU FIL DOMESTIQUE

Étape 1. La connexion du fil noir du récepteur (AC IN L) est reliée au fil noir (HOT) de la boîte de sortie du plafond (Fig 13).

Étape 2. Le fil blanc (AC IN N) du récepteur se connecte au fil blanc (NEUTRE) de la boîte de sortie du plafond.

Étape 3. Dans le récepteur, le fil de terre (jaune/vert) se connecte au conducteur de terre de la boîte de sortie du plafond.



FINITION DE L'INSTALLATION DU MOTEUR

ATTENTION : Il est recommandé de couper l'alimentation au niveau du tableau de distribution principal afin d'éviter tout risque d'électrocution.

Étape 1. Insérez toutes les connexions dans la boîte de sortie du plafond.

Étape 2. Faites glisser la canopée jusqu'au support de montage et placez l'une des fentes du trou de serrure sur la vis de montage du support de montage. Faites pivoter la canopée jusqu'à ce que la tête de la vis s'enclenche dans la partie étroite du trou de serrure. Voir figure 14.

Étape 3. Alignez le trou circulaire restant sur la canopée avec le trou restant sur le support de montage au plafond. Insérez et serrez la vis de montage que vous avez retirée précédemment et la vis de montage de l'étape 2 ci-dessus. Fixez maintenant l'anneau de garniture de canopée aux têtes de vis de montage en insérant les têtes de vis dans la partie inférieure de l'anneau de garniture de canopée et en tournant l'anneau de garniture de canopée dans le sens des aiguilles d'une montre.

REMARQUE: Ajustez les vis de la canopée si nécessaire jusqu'à ce que la canopée et l'anneau de garniture de la canopée soient bien ajustés. (Fig.14)

AVERTISSEMENT : Assurez-vous que la « languette de contrôle » située en bas du support de suspension est correctement insérée dans la « fente d'enregistrement » située sur le côté de la boule de suspension avant d'attacher la voile au support. Si la languette de contrôle n'est pas correctement mise en place, les fils électriques risquent d'être endommagés lorsque la direction des pales du ventilateur de plafond est modifiée alors que le ventilateur est en marche.

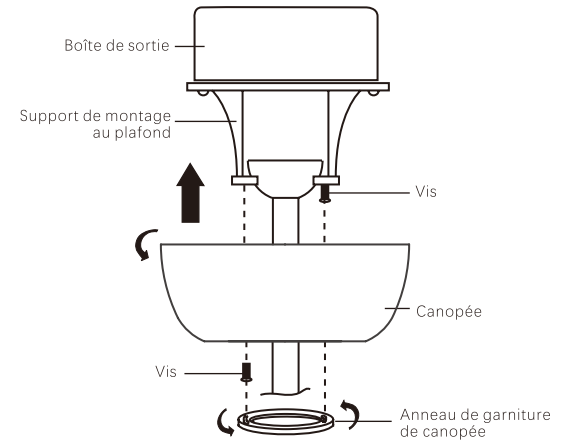


Fig.14

ATTENTION : Par mesure de précaution, débranchez le circuit d'alimentation du ventilateur, coupez le disjoncteur ou retirez le fusible de la boîte à fusibles avant d'installer les pales du ventilateur, les supports de pales, la plaque de montage, le couvercle décoratif et le kit d'éclairage (non inclus).

INSTALLATION DES PALES ET DES SUPPORTS DE PALES DU VENTILATEUR

Étape 1. Fixer les pales sur les supports de pale à l'aide des vis de pale et des rondelles en fibre fournies. (Fig. 15) Au moment de monter les pales sur les supports de pale, assurez-vous que les pales sont plates. Serrez chaque vis de pale pour la fixer, puis répétez l'opération pour chaque pale.

Étape 2. Insérez un support de pale dans le volant moteur. (Fig. 15) Alignez les trous de montage du support de pale avec les trous de montage du volant moteur, fixez le support de pale au volant moteur à l'aide des vis du support fournies, et serrez les vis du support pour les fixer. Répétez l'opération pour les autres supports de pale.

INSTALLATION DE LA PLAQUE DE MONTAGE

Étape 1. Les deux vis de la anneau de montage fixée à l'arbre du moteur doivent être desserrées et la troisième vis doit être retirée et conservée. (Fig. 16)

Étape 2. Placez les fentes en trou de serrure de la plaque de montage sur les deux vis qui ont été précédemment desserrées sur l'anneau de montage.

Tournez la plaque de montage dans le sens des aiguilles d'une montre jusqu'à ce qu'elle s'enclenche aux extrémités étroites des fentes du trou de serrure. Serrez les deux vis en forme de trou de serrure, réinstallez la troisième vis qui a été enlevée précédemment et serrez-la pour la fixer (Fig. 16).

INSTALLATION DU COUVERCLE DÉCORATIF

Étape 1. Retirez les trois vis de montage préinstallées sur le bord extérieur du couvercle décoratif (Fig 16).

Étape 2. Insérez le couvercle décoratif dans la plaque de montage en alignant les trous du bord extérieur du couvercle décoratif sur les trous du bord extérieur de la plaque de montage. Enfillez les trois vis de montage précédemment retirées dans le couvercle décoratif et la plaque de montage, et serrez-les pour les fixer. (Fig 16)

REMARQUE : Si vous souhaitez installer un kit d'éclairage LED à ce moment-là, installez d'abord le kit d'éclairage LED sur le couvercle décoratif, puis connectez les fils du kit d'éclairage aux fils du ventilateur, et enfin installez le couvercle décoratif sur la plaque de montage.

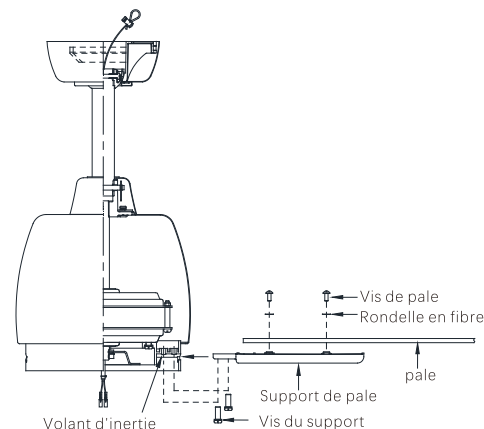


Fig.15

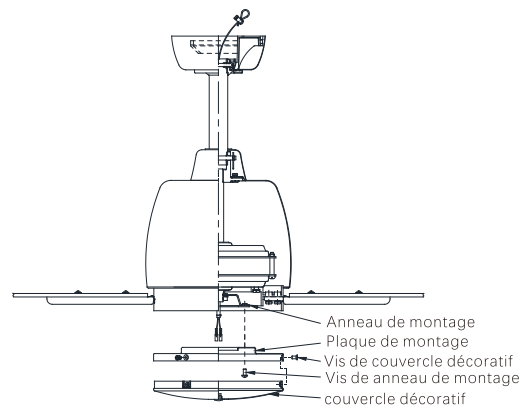


Fig.16

INSTALLATION DE LA PLAQUE MURALE COOLTOUCH™

AVERTISSEMENT : Le raccordement électrique doit être conforme au code national de l'électricité et aux codes locaux de l'électricité. L'installation électrique doit être effectuée par un électricien qualifié et agréé.

Choisissez un emplacement pour installer votre plaque murale CoolTouch™. Il est possible de remplacer un interrupteur mural existant ou d'installer la plaque murale sur N'IMPORTE QUELLE surface plane.

Option 1 : Installer la plaque murale en utilisant une boîte de sortie d'interrupteur mural existante.

REMARQUE : Les interrupteurs doivent être installés en conformité avec les codes électriques locaux et nationaux. Assurez-vous que l'alimentation électrique est coupée au niveau du panneau principal avant de continuer.

Étape 1. Retirez la plaque murale existante et l'ancien interrupteur de la boîte de sortie murale. Assemblez les fils NOIRS (chauds) et repoussez-les à l'intérieur de la boîte de sortie. (Fig.17)

Étape 2. Installer la plaque murale CoolTouch™ sur la boîte de sortie murale existante à l'aide des 2 vis fournies. Insérez les deux fiches en plastique dans la plaque murale. (Fig.18)

Option 2 : Installer la plaque murale sur TOUTE surface plane.

Étape 1. Sélectionnez l'emplacement souhaité et utilisez la plaque murale « CoolTouch » pour marquer l'emplacement des trous de fixation.

Étape 2. Pour terminer l'installation, utilisez les chevilles et les vis pour cloisons sèches fournies.

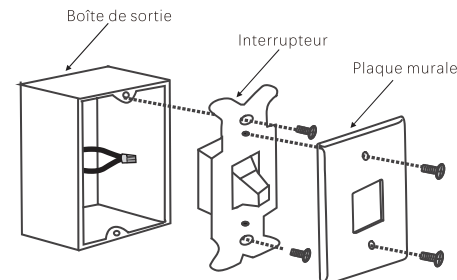


Fig.17

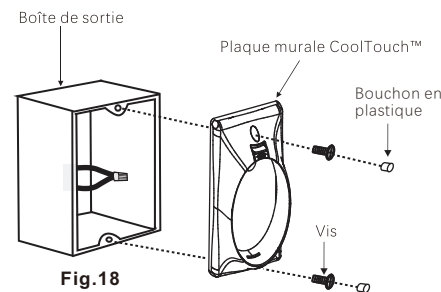


Fig.18

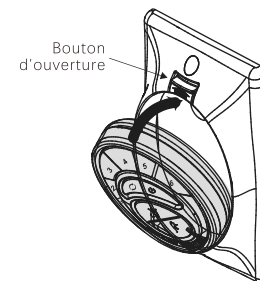


Fig.19

INSTALLATION DU TRANSMETTEUR

Étape 1. Insérez le transmetteur dans la plaque murale en insérant d'abord le bas de le transmetteur, puis en pressant le haut de le transmetteur dans la poche. Le transmetteur fonctionnera pleinement à partir de cet emplacement ou vous pouvez retirer le transmetteur et l'utiliser comme appareil portatif. (Fig.19)

Étape 2. Le transmetteur peut être retirée de la plaque murale en appuyant sur le bouton de déverrouillage; le transmetteur tombe alors dans votre main.

INSTRUCTIONS D'UTILISATION

INSTALLATION DES BATTERIES DU TRANSMETTEUR (Fig.20)

Étape 1. Le couvercle arrière de l'émetteur et la vis de sécurité sont enlevés. (Fig.20)
Installez deux piles CR2032 3V (avec le côté + vers le haut). Remarque : Il est conseillé de retirer les piles en cas de non-utilisation prolongée (plusieurs mois) afin d'éviter d'endommager l'émetteur.

Étape 2. Remettre en place le couvercle arrière du transmetteur et la vis de sécurité.

AVERTISSEMENT : Risque de brûlure chimique. Tenir les piles hors de portée des enfants. Ce produit contient une pile bouton/pile de monnaie au lithium. L'ingestion ou la pénétration dans le corps d'une pile bouton/cellule de monnaie au lithium, neuve ou usagée, peut provoquer de graves brûlures internes et entraîner la mort en moins de 2 heures. Il faut toujours fermer complètement le compartiment à piles. Si le compartiment des piles ne ferme pas correctement, cessez d'utiliser le produit, retirez les piles et tenez-le hors de portée des enfants. Les personnes qui pensent que des piles ont été avalées ou placées à l'intérieur d'une partie du corps doivent consulter immédiatement un médecin.

a) Il faut éliminer les cellules de manière appropriée, notamment en les gardant hors de portée des enfants ; et
b) Les cellules, même usagées, peuvent provoquer des blessures.

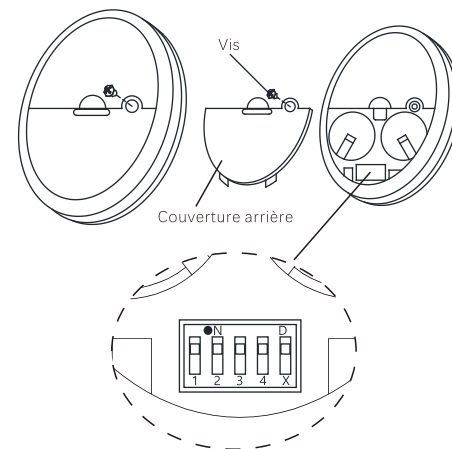


Fig.20

RÉGLAGE DES INTERRUPTEURS DE FRÉQUENCE « 1-4 » (Fig.20)

NOTE : Les dip-switches de fréquence « 1-4 » ont été réglés en usine. Aucun changement de fréquence n'est nécessaire.

Si vous devez changer la fréquence de votre transmetteur, réglez les commutateurs DIP sur une nouvelle valeur. Ensuite, suivez les instructions « JUMELAGE DE LE TRANSMETTEUR AVEC LE VENTILATEUR » à la page suivante.

RÉGLAGE DE L'INTERRUPTEUR DE FONCTION DE L'ÉCLAIRAGE « D/X » (Fig.20)

Si un kit d'éclairage accessoire est installé sur ce ventilateur, l'interrupteur D/X (Dimmable/Non Dimmable) de l'émetteur doit être réglé pour correspondre à la source lumineuse utilisée. Positionnez le commutateur sur « D » si le kit d'éclairage est un luminaire LED intégré à intensité variable, ou si des lampes incandescentes, halogènes ou LED à intensité variable sont installées.

Placez le commutateur sur « X » si le kit d'éclairage est un luminaire à LED intégré non graduable, ou si des lampes fluorescentes ou des lampes à LED non graduables sont installées.

AVERTISSEMENT : Si le commutateur « D/X » n'est pas réglé correctement, le système de contrôle de l'éclairage fonctionnera de manière erratique et pourrait endommager votre ventilateur de plafond.

INSTRUCTIONS D'UTILISATION (suite)

APPAIRAGE DE LE TRANSMETTEUR AU VENTILATEUR

REMARQUE : Votre transmetteur a été apparié au récepteur de votre ventilateur en usine. Aucun changement de fréquence n'est nécessaire. Par exemple, si le ventilateur ne fonctionne pas ou si vous souhaitez installer un ventilateur supplémentaire avec un code de fréquence différent, suivez l'étape 1 pour appairer un émetteur à un récepteur.

AVERTISSEMENT : Assurez-vous que l'alimentation électrique est complètement coupée avant de commencer cette opération.

Important : Le moteur et les pales du ventilateur doivent être installés avant que le processus d'appairage puisse commencer.

Étape 1. Le circuit de dérivation du ventilateur de plafond doit être rétabli au niveau du disjoncteur ou de la boîte à fusibles. Dans les 60 secondes qui suivent le rétablissement de l'alimentation, appuyez sur le bouton « ⏻ » du transmetteur (Fig.21) et maintenez-le enfoncé pendant 5 secondes. Le rétro-éclairage de la télécommande clignote deux fois et le ventilateur tourne pendant plusieurs secondes. Cela confirme que le processus d'appariement est terminé. Le transmetteur est maintenant apparié à votre ventilateur et prêt à être utilisé.

Étape 2. Essayez différents réglages de vitesse sur le transmetteur pour vous assurer que le ventilateur fonctionne parfaitement. Si la programmation échoue, recommencez l'étape 1.

REMARQUE: Conservez cette page au cas où une reprogrammation serait nécessaire à l'avenir, ou si une télécommande supplémentaire était ajoutée.

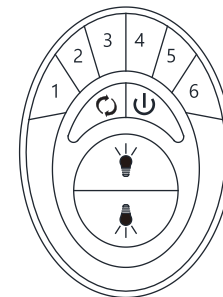


Fig.21

INSTRUCTIONS POUR LE BOUTON

Boutons de contrôle de la vitesse du ventilateur 

Le chiffre 1 correspond à la vitesse la plus faible et le chiffre 6 à la vitesse la plus élevée.

Appuyez sur l'une des touches pour démarrer le ventilateur à la vitesse correspondante ou pour changer de vitesse.

Bouton OFF 

Appuyer une fois pour arrêter le ventilateur.

Bouton de marche arrière 

Lorsque le ventilateur est en marche, appuyez une fois sur le bouton de marche arrière pour inverser le sens de rotation du ventilateur.

Bouton d'éclairage 

Appuyez une fois pour allumer ou éteindre la lumière.

Appuyez sur la touche et maintenez-la enfoncée pour atténuer ou éclaircir la lumière au niveau souhaité, puis relâchez-la.

FONCTION INVERSE

Pour faire fonctionner la fonction de marche arrière de ce ventilateur, appuyez sur le bouton « marche arrière » de l'émetteur lorsque le ventilateur est en marche.

Temps chaud - Vers l'avant (dans le sens inverse des aiguilles d'une montre) Un flux d'air descendant crée un effet de refroidissement comme le montre la (Fig.23) Cela vous permet de régler votre climatiseur sur un niveau plus chaud sans affecter votre confort.

Temps froid - Inversion (sens des aiguilles d'une montre) Un flux d'air ascendant déplace l'air chaud vers le plafond, comme le montre la (Fig.24), ce qui vous permet de régler votre appareil de chauffage sur une température plus basse sans nuire à votre confort.

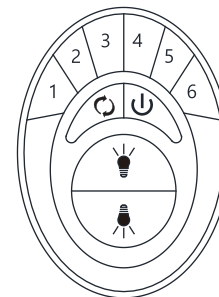


Fig.22

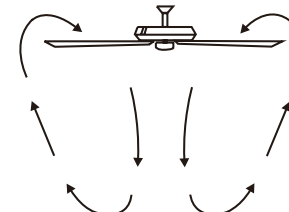


Fig.23

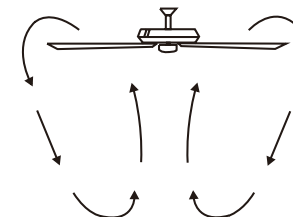


Fig.24

DÉPANNAGE

Problème

Solution

Le ventilateur ne démarre pas.

- 1.Vérifier les fusibles ou les disjoncteurs du circuit.
- 2.Assurez-vous que les piles de le transmetteur sont correctement installées, face+ vers le haut, et qu'elles sont encore alimentées.
- 3.Vérifier toutes les connexions électriques pour assurer un contact correct.

ATTENTION : Assurez-vous que l'alimentation principale est coupée avant de vérifier toute connexion électrique.

Le ventilateur est bruyant.

- 1.Veuillez à ce que toutes les vis du boîtier du moteur soient bien serrées.
- 2.Veuillez-vous assurer que les vis qui fixent les supports des pales du ventilateur au moteur sont bien serrées.
- 3.Assurez-vous que les connexions des écrous de fil ne frottent pas l'une contre l'autre ou contre la paroi intérieure du boîtier de l'interrupteur.

ATTENTION : Assurez-vous que l'alimentation principale est coupée.

- 4.Prévoir une période de « rodage » de 24 heures. La majorité des bruits associés à un nouveau ventilateur disparaîtront pendant cette période.
- 5.Si vous utilisez un kit d'éclairage optionnel, assurez-vous que les vis de fixation de la verrerie sont bien serrées. Assurez-vous que les ampoules ne touchent aucun autre composant.
- 6.Ne pas raccorder ce ventilateur à une ou plusieurs commandes murales à vitesse variable. Ils ne sont pas compatibles avec les moteurs ou les télécommandes des ventilateurs de plafond.
- 7.Veuillez à ce que l'auvent supérieur se trouve à une courte distance du plafond. Il ne doit pas toucher le plafond.

DÉPANNAGE

Problème

Solution

Le ventilateur oscille.

1. Vérifiez que toutes les vis de la pale et du bras de pale sont bien fixées.
2. La plupart des problèmes d'oscillation des ventilateurs sont dus à l'inégalité des niveaux des pales. Vérifiez ce niveau en choisissant un point du plafond au-dessus de l'extrémité de l'une des pales. Mesurez cette distance. Tourner le ventilateur jusqu'à ce que la pale suivante soit positionnée pour la mesure. Répéter l'opération pour chaque pale. L'écart de distance doit être égal à 1/8".
3. Si l'oscillation de la pale est toujours perceptible, l'échange de deux pales adjacentes (côte à côte) peut redistribuer le poids et éventuellement permettre un fonctionnement plus régulier.

Dysfonctionnement de la télécommande.

1. Les ventilateurs de plafond équipés de systèmes de commande à distance NE PEUVENT PAS être utilisés en conjonction avec un autre système de commande SAUF un interrupteur mural marche/arrêt de base, le cas échéant.

AVERTISSEMENT : POUR RÉDUIRE LES RISQUES DE BLESSURES ET GARANTIR LE BON FONCTIONNEMENT DE VOTRE VENTILATEUR DE PLAFOND, NE FIXEZ JAMAIS LES PALES AVANT D'AVOIR MONTÉ LE VENTILATEUR AU PLAFOND. NE PAS PLIER LES BRAS DE PALE LORS DE L'INSTALLATION, DE L'EQUILIBRAGE OU DU NETTOYAGE DU VENTILATEUR. NE PAS INSÉRER DE CORPS ÉTRANGERS ENTRE LES PALES DU VENTILATEUR EN ROTATION.

INFORMATIONS SUR LE FCC

Cet appareil est conforme à la partie 15 des règles de la FCC. Le fonctionnement est soumis aux deux conditions suivantes :

- 1) Cet appareil ne doit pas provoquer d'interférences nuisibles, et
- 2) Ce dispositif doit accepter toute interférence reçue, y compris les interférences susceptibles de provoquer un fonctionnement indésirable.

Note : Le présent équipement a été testé et déclaré conforme aux limites imposées aux appareils numériques de classe B, conformément à la partie 15 des règles de la FCC. Dans une installation résidentielle, ces limites sont conçues pour fournir une protection raisonnable contre les interférences nuisibles. Le présent appareil génère, utilise et peut émettre des fréquences radio et, s'il n'est pas installé et utilisé conformément aux instructions, peut provoquer des interférences nuisibles aux communications radio. Il est toutefois impossible de garantir qu'il n'y aura pas d'interférences dans une installation particulière. Si cet équipement provoque des interférences nuisibles à la réception radio ou télévision, ce qui peut être déterminé en allumant et en éteignant l'équipement, l'utilisateur est encouragé à essayer de corriger les interférences en prenant une ou plusieurs des mesures suivantes :

- Réorienter ou déplacer l'antenne de réception.
- Augmenter la distance entre l'équipement et le récepteur.
- Branchez l'appareil sur une prise de courant située sur un circuit différent de celui sur lequel le récepteur est branché.
- Adressez-vous à votre revendeur ou à un technicien radio/TV expérimenté pour obtenir de l'aide.

KICHLER®

www.kichler.com

**KICHLER LIGHTING LLC
30455 SOLON ROAD
SOLON, OHIO 44139 USA**

**SERVICE À LA CLIENTÈLE 866.558.5706
8 h à 17 h EST, DU LUNDI AU VENDREDI**

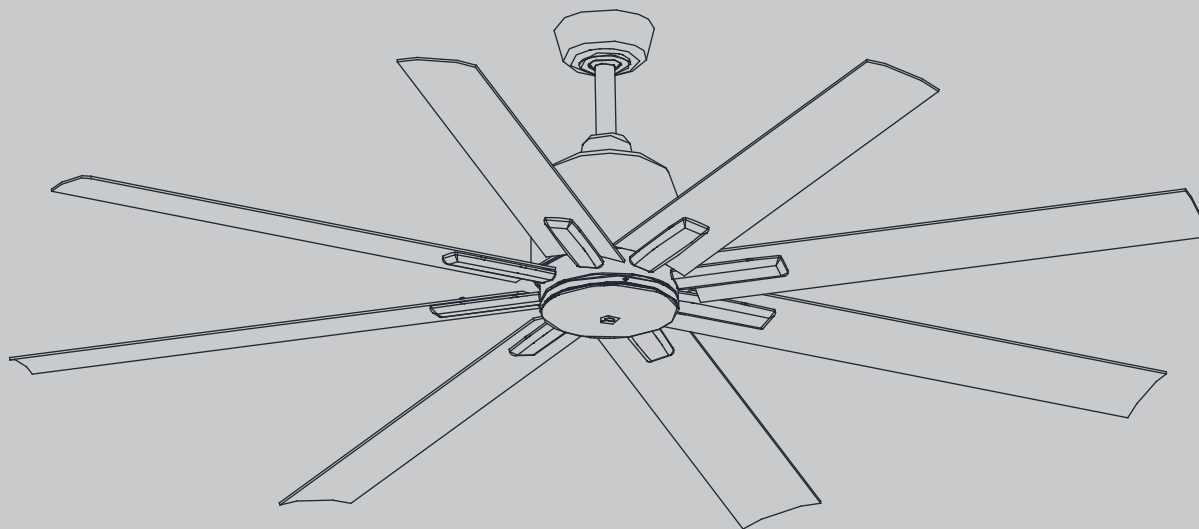
10/6/2023

© Kichler Lighting LLC. Tous droits réservés.

KICHLER®

Breda

Las imágenes del producto pueden ser un poco diferentes al producto real.



MANUAL DE INSTRUCCIONES

Modelo N.º: 310265(65")

310275(75")

310285(84")

LEA Y GUARDE ESTAS INSTRUCCIONES

TABLA DE CONTENIDOS

NORMAS DE SEGURIDAD.....	3	INSTALAR LA PLACA DE MONTAJE	13
HERRAMIENTAS NECESARIAS	5	INSTALACIÓN DE LA CUBIERTA DECORATIVA	13
CONTENIDOS DEL PAQUETE	5	INSTALACIÓN DE PLACA DE PARED DE COOLTOUCH™	14
OPCIONES DE MONTAJE	6	INSTALACIÓN DEL TRANSMISOR	14
COLGAR EL VENTILADOR	7	INSTRUCCIONES DE OPERACIÓN.....	15
INSTALACIÓN DEL CABLE DE SEGURIDAD	10	INSTRUCCIONES DE BOTONES	17
CONEXIONES ELÉCTRICAS	10	FUNCIÓN REVERSA	17
TERMINAR LA INSTALACIÓN DEL MOTOR.....	12	SOLUCIÓN DE PROBLEMAS	18
INSTALACIÓN DE ASPAS DEL VENTILADOR Y LOS SOPORTES DE LAS ASPAS	13	INFORMACIÓN DE FCC	20

NORMAS DE SEGURIDAD

1. **PRECAUCIÓN - RIESGO DE DESCARGA** - Desconecte la corriente en el panel del disyuntor principal o de la caja de fusibles principal antes y durante la instalación.
2. **ADVERTENCIA:** Todo el cableado debe realizarse en conformidad con el Código Eléctrico Nacional "ANSI/NFPA 70" y los códigos eléctricos locales. La instalación eléctrica debe realizarse por un electricista calificado matriculado.
3. **ADVERTENCIA:** Para reducir el riesgo de descarga eléctrica, este ventilador debe instalarse con un control/interruptor de pared aislante.
4. **ADVERTENCIA:** No debe usarse con controles de velocidad de estado sólido.
5. **ADVERTENCIA:** Si está montando el ventilador N.º 310265 o el ventilador N.º 310275, para reducir el riesgo de fuego, descarga eléctrica, o lesiones personales, monte sobre una caja de salida del ventilador para techo marcada como "adecuada para soporte de ventilador de menos de 15,9 kg (35 lbs.)" y use los tornillos de montaje incluidos en la caja de salida.
Si está montando un ventilador N.º 310285, para reducir el riesgo de fuego, descarga eléctrica, o lesiones personales, monte sobre una caja de salida del ventilador para techo que esté certificada para un soporte de ventilador, de más de 15,9 kg (35 lbs.) y más, y marcada "adecuada para instalaciones para ventiladores para techo" y use los tornillos de montaje incluidos con la caja de salida.

La mayoría de las cajas de salida que se suelen usar para el soporte de lámparas no son las adecuadas para un ventilador y es posible que se deben reemplazar. Debido a la complejidad de la instalación de este ventilador, es muy recomendable un electricista calificado matriculado.

6. Si está montando un ventilador N.º 310265 o N.º 310275, la caja de salida y la estructura de soporte deben estar montadas de manera fija y ser capaz de soportar de manera fiable menos de 15,9 kg (35 libras). Solo use cajas de salida certificadas por cULus marcadas "Adecuada para soporte de ventilador de menos de 15,9 kg (35 lbs)".
Si está montando un ventilador N.º 310285, se debe fijar la caja de salida y la estructura de soporte y ser capaz de soportar de manera fiable más de 15,9 kg (35 lbs.) o más. Solo use cajas de salida con certificación por cULus marcadas "adecuada para instalaciones en ventiladores para techo".
7. Se debe montar el ventilador con un espacio libre mínimo de 2,1 m (7 pies) desde el borde de salida de las aspas hasta el suelo.
8. Para operar la función de reversa en este ventilador, presione el botón de reversa mientras el ventilador esté en funcionamiento.
9. Evite colocar objetos en el camino de las aspas.

NORMAS DE SEGURIDAD (continuación)

10. **ADVERTENCIA:** Asegúrese de que esté desconectada la corriente antes de limpiar su ventilador.
11. Para evitar lesiones personales o daños al ventilador y otros artículos, tenga cuidado al trabajar cerca o al limpiar el ventilador.
12. No use agua o detergentes para limpiar el ventilador o sus aspas. Un paño seco o un paño ligeramente humedecido son adecuados para la limpieza en general.
13. Después de realizar las conexiones eléctricas, los conductores empalmados deben girarse hacia arriba y empujarse con cuidado hacia la caja de salida.

Los cables deben separarse con el conductor puesto a tierra, y el conductor de puesta a tierra del equipo en un lado de la caja de salida, y el conductor sin puesta a tierra en el otro lado de la caja de salida.
14. Los diagramas eléctricos son solo a modo de referencia. Los kits de luces que no vengan en el paquete del ventilador deben tener una certificación de cULus, cETLus, o cCSAus y estar marcados como adecuados para el uso con el modelo del ventilador que está instalando. Los interruptores deben ser de uso general y tener una certificación, cULus, cETLus, o cCSAus. Diríjase a las instrucciones incluidas con los kits de luces e interruptores para montaje adecuado.
15. Se deben revisar todos los tornillos de ajuste, y volver a ajustarlos donde sea necesario, antes de la instalación.

ADVERTENCIA: PARA REDUCIR EL RIESGO DE LESIONES PERSONALES, NO DOBLE LOS SOPORTES DE LAS ASPAS (TAMBIÉN LLAMADOS BRIDAS) DURANTE EL MONTAJE O LUEGO DE LA INSTALACIÓN. NO COLOQUE OBJETOS EN EL CAMINO DE LAS ASPAS.

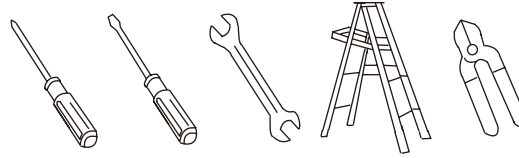
310265 (65 pulg.) N.W.12,2 KGS (26,9 LBS)/
G.W.13,5 KGS (29,8 LBS)

310275 (75 pulg.) N.W.13,1 KGS (28,9 LBS)/
G.W.15 KGS (33,1 LBS)

310285 (84 pulg.) N.W.13,9 KGS (30,6 LBS)/
G.W.15,9 KGS (35,1 LBS)

HERRAMIENTAS NECESARIAS

- Destornillador Phillips
- Destornillador de pala
- Llave de 11 mm
- Escalera
- Cortaalambres



CONTENIDOS DEL PAQUETE

Desempaquete su ventilador y revise los contenidos. Debe tener los siguientes artículos:

A. Aspas del ventilador (8)

B. Soporte de montaje para techo y toldo

C. Montaje con bola/vástago

D. Cubierta de acoplamiento

E. Montaje del motor del ventilador

F. Juego de 8 soportes para aspa

G. Placa de montaje

H. Cubierta decorativa

I. Receptor

J. Transmisor UC7214T

K. Contenidos de bolsa de piezas

1) Herramientas de montaje:

tornillos para madera (2)
arandelas planas (2) arandelas de estrella (2)
tuercas para cable (3) tornillos (2)

2) Herramientas para montaje de aspas:

tornillos de aspa (25) arandelas de fibra (25)

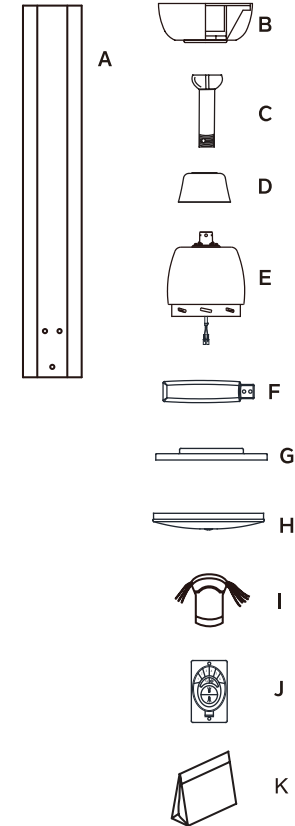
3) Herramientas para acoplamiento

de montaje de aspas:
tornillos de aspa (18)

4) Herramientas para cable de seguridad:

tornillo para madera, arandela plana

5) Kit de equilibrio



OPCIONES DE MONTAJE

Si no hay una caja de montaje con una certificación por UL (cUL para una instalación canadiense), lea las siguientes instrucciones. Desconecte la corriente al quitar los fusibles o apagar los disyuntores.

Asegure la caja de salida de manera directa a la estructura. Use ajustadores y materiales para la estructura adecuados.

Si está montando un ventilador N.º 310265 o N.º 310275, la caja de salida y su soporte deben poder soportar por el peso completo del ventilador (menos de 15,9 kg (35 libras)). No use cajas de salida de plástico.

Si está montando un ventilador N.º 310285, la caja de salida y su soporte debe poder soportar el peso total del ventilador (más de 15,9 kg (35 libras) y más). No use cajas de salida de plástico.

Las imágenes 1, 2 y 3 son ejemplos de diferentes maneras de montar una caja de salida.

NOTA: Si está instalando el ventilador para techo en un techo inclinado (abovedado), es posible que necesite un vástago más largo para mantener un espacio libre adecuado entre la punta del aspa y el techo. Se recomienda un espacio libre mínimo de 12 pulg. para una operación óptima.

NOTA: Dependiendo de la ubicación que seleccionó para la instalación, es posible que deba comprar e instalar un "Colgador de viguetas" para el soporte de la caja de salida. Asegúrese de que el colgador de viguetas que compre haya sido diseñado para el uso en ventiladores de techo. (Imagen 4)

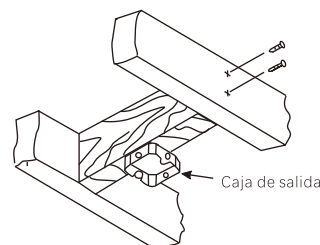


Imagen 1

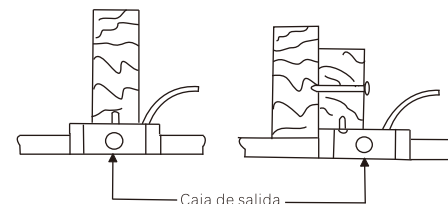


Imagen 2

**TECHO INCLINADO
ÁNGULO MÁXIMO
DE 22°**

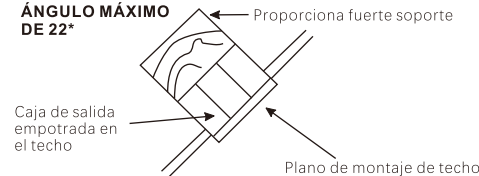


Imagen 3

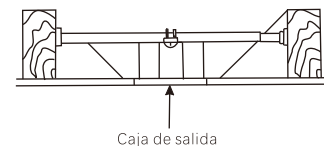


Imagen 4

COLGAR EL VENTILADOR

PRECAUCIÓN: Para evitar una descarga eléctrica, asegúrese de que haya desconectado la corriente en el panel del circuito principal.

Para instalar de manera adecuada su ventilador para techo, siga los pasos de abajo.

Paso 1. Quite el anillo embellecedor del toldo al girarlo en sentido antihorario. (Imagen 5)

Paso 2. Quite el soporte de montaje para techo del toldo al quitar y guardar uno de los dos tornillos. Afloje el tornillo restante a la mitad. (Imagen 5)

Paso 3. Pase los cables de alimentación de 120 voltios desde la caja de salida del techo a través del centro del soporte de montaje techo. (Imagen 6)

Paso 4. Acople el soporte de montaje de techo a la caja de salida con los tornillos y arandelas incluidas en la caja de salida (Imagen 6) (También incluidos en la bolsa de piezas de herramientas para montaje.)

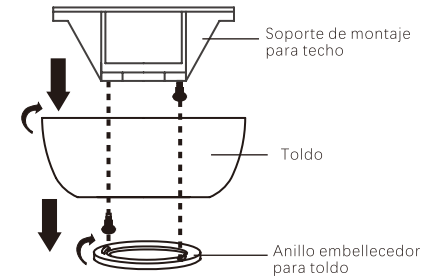


Imagen 5

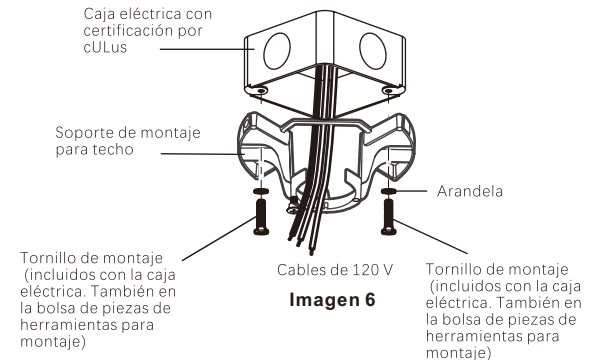


Imagen 6

COLGAR EL VENTILADOR (continuación)

ADVERTENCIA: Se deben revisar todos los tornillos de ajuste, y volver a ajustarlos donde sea necesario, antes de la instalación.

Paso 5. Quite la bola de suspensión desde el montaje con vástago al aflojar el tornillo de ajuste, destornillar y quitar el pin transversal y destornillar la bola de la vástago. (Imagen 7)

Paso 6. Afloje los dos tornillos de ajuste y quite el pin del enganche y clip de retención del acoplamiento en la parte superior del montaje del motor. (Imagen 8)

Paso 7. Pase con cuidado los cables eléctricos desde montaje del motor a través del vástago. Enrosque el vástago dentro del acoplamiento hasta que se alineen los agujeros del pin del enganche.

Luego, cambie el pin del enganche y el clip de retención. Ajuste ambos tornillos de ajuste. (Imagen 8)

NOTA: El ventilador viene con un vástago de 6 pulg. Corte los cables eléctricos si no desea usar un vástago más largo.

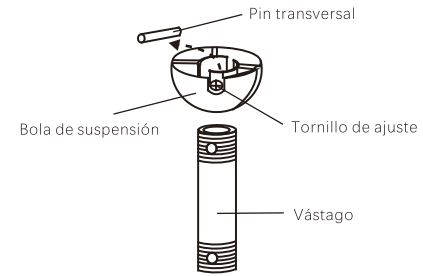


Imagen 7

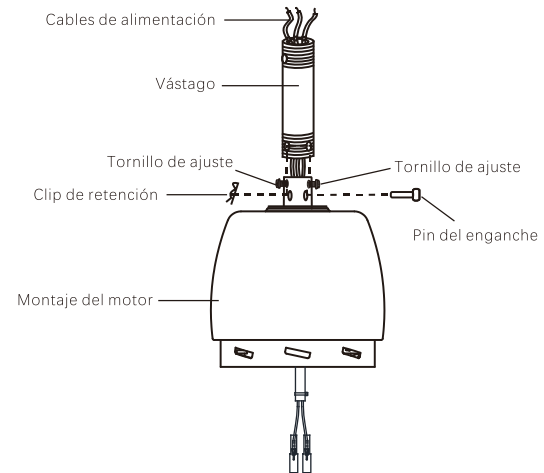


Imagen 8

COLGAR EL VENTILADOR (continuación)

Paso 8. Deslice la cubierta de acoplamiento, el anillo embellecedor para toldo (el lado acabado apuntando hacia el motor) y el toldo en el vástago. (Imagen 9)

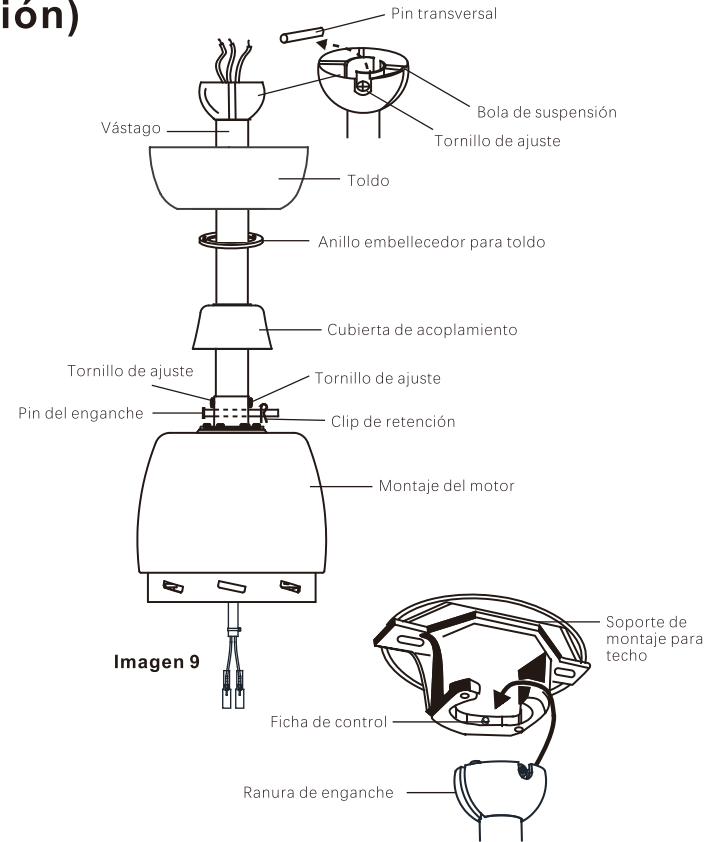
Enrosque la bola de suspensión en el vástago, coloque el pin transversal a través del vástago y ajuste. Ahora ajuste el tornillo de ajuste. (Imagen 9)

Paso 9. Levante el montaje del motor en posición y coloque la bola de suspensión dentro del soporte de montaje del techo. (Imagen 10)

Gire todo el montaje hasta que la "Ficha de control" caiga dentro de la "Ranura de enganche" y se asiente con firmeza. (Imagen 10)

Todo el montaje del motor no debe rotar (izquierda o derecha) si está asentado de manera adecuada.

ADVERTENCIA: Si no puede volver a acoplar el pin transversal y asentar la "Ficha de control", es posible que el ventilador se caiga del techo durante la operación. Tenga mucho cuidado y asegúrese de que se vuelva a acoplar este pin.



INSTALACIÓN DEL CABLE DE SEGURIDAD (SOLO necesaria para una instalación canadiense)

Esta incluido un cable de soporte de seguridad que ayuda a evitar que se caiga el ventilador del techo, instálelo de la siguiente manera.

Paso 1. Acople el tornillo para madera y la arandela a la vigueta del techo al lado del soporte de montaje, pero no lo ajuste. (Imagen 11)

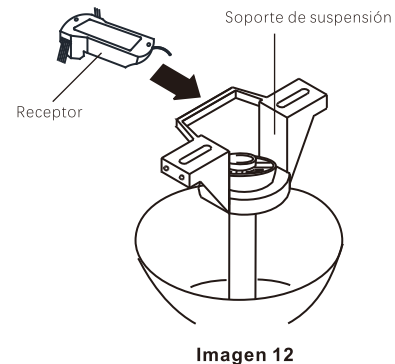
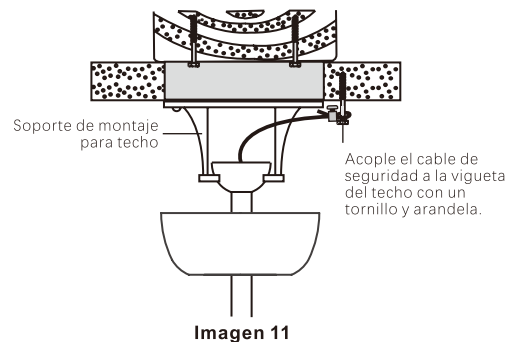
Paso 2. Ajuste la longitud del cable de seguridad para que llegue al tornillo y la arandela al tirar un cable adicional a través de la abrazadera de cable hasta que la longitud general sea la correcta, coloque el extremo del cable de vuelta a la abrazadera de cable, formando un lazo en el extremo del cable. Ajuste bien la abrazadera de cable. Ahora, coloque el lazo en el extremo del cable de seguridad sobre el tornillo para madera y debajo de la arandela. Ajuste bien el tornillo para madera.

NOTA: Aunque el cable de soporte de seguridad es necesario solo para una instalación canadiense, es una buena idea realizar el acoplamiento en cualquier tipo de instalación.

CONEXIONES ELÉCTRICAS

PRECAUCIÓN: Para evitar una descarga eléctrica, asegúrese de que haya desconectado la corriente en el panel del circuito principal.

Paso 1. Coloque el receptor dentro del soporte de montaje para techo con el lado plano del receptor apuntando hacia el techo. (Imagen 12)
Para el mejor rendimiento, asegúrese de que la antena negra, en el extremo del receptor, se mantenga extendida y no enrollada con cualquiera de los cables eléctricos.



CONEXIONES ELÉCTRICAS (continuación)

ADVERTENCIA: Lea con cuidado y conserve este Manual de Instrucciones como referencia futura.

ADVERTENCIA: Para evitar posibles descargas eléctricas, asegúrese de que esté desconectada la electricidad en el panel principal al quitar el fusible o abriendo el disyuntor.

ADVERTENCIA: Este control está diseñado para usarse solo con "Ventiladores para techo con motor CC". NO use cualquier otro tipo de dispositivo eléctrico.

ADVERTENCIA: Todo el cableado debe realizarse en conformidad con todos los códigos eléctricos locales. Si observa que no tiene el suficiente conocimiento eléctrico, haga instalar el control con un electricista matriculado.

ADVERTENCIA: El amperaje para su ventilador no debe exceder los 1 A. El vataje total para las luces es de 300 W.

Realice cada una de las conexiones de cableado ilustradas en la Imagen 13. Asegure cada una de las tuercas para cable incluidas.

ADVERTENCIA: Revise que todas las conexiones estén bien ajustadas, incluyendo la puesta a tierra, y que no haya ningún cable visible en las conexiones de cableado.

Luego de conectar todos los cables, gire el cable que conecta las tuercas hacia arriba, y empuje el cableado hacia la caja de salida. Separe las conexiones de cableado blanco (neutro) y verde (a tierra) a un lado de la caja de salida, y las conexiones de cableado negro (caliente) al otro lado de la caja de salida.

A. VENTILADOR PARA TECHO A CONEXIÓN DE CABLE DEL RECEPTOR

Paso 1. Conecte el cable azul desde el (motor) del ventilador al cable azul del receptor. Cable blanco desde el (motor) del ventilador al cable blanco del receptor. Cable rojo desde el (motor) del ventilador al cable rojo del receptor. Cable gris desde el (motor) del ventilador al cable gris del receptor. Cable amarillo desde el (motor) del ventilador al cable amarillo del receptor. (Imagen 13)

NOTA: Si NO desea usar sus kits de luces con su ventilador en este momento, NO conecte los cables azules o blancos. Si no, tape cada cable azul y blanco de manera individual con tuercas para cable.

B. RECEPTOR PARA CONEXIÓN DE CABLEADO DOMÉSTICO

Paso 1. El cable negro del receptor (CA EN L) conecta el cable negro (CALIENTE) de la caja de salida del techo (Imagen 13).

Paso 2. El cable blanco (CA EN N) del receptor conecta el cable blanco (NEUTRO) de la caja de salida del techo.

Paso 3. El cable a tierra (amarillo/verde) del receptor conecta el conductor con puesta a tierra de la caja de salida del techo.

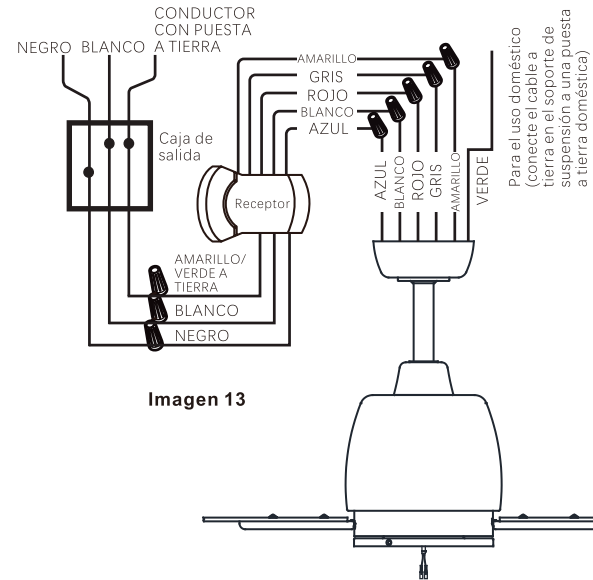


Imagen 13

TERMINAR DE INSTALACIÓN DEL MOTOR

PRECAUCIÓN: Para evitar una descarga eléctrica, asegúrese de que haya desconectado la corriente en el panel del circuito principal.

Paso 1. Agrupe todas las conexiones de manera prolija dentro de la caja de salida del techo.

Paso 2. Deslice el toldo hacia el soporte de montaje y coloque una de las ranuras de agujeros para llave sobre el tornillo de montaje del soporte de montaje. Gire el toldo hasta que la cabeza del tornillo se ajuste en su lugar y la sección angosta del agujero para llave. Vea imagen 14.

Paso 3. Alinee el agujero circular restante en el toldo con el agujero restante del soporte de montaje del techo. Coloque y ajuste el tornillo de montaje que quitó antes y el tornillo de montaje del Paso 2 de arriba. Ahora, acople el anillo embellecedor para del toldo a las cabezas del tornillo de montaje al colocar las cabezas del tornillo en el lado inferior del anillo embellecedor para toldo y al girar el anillo embellecedor para toldo en sentido horario.

NOTA: Ajuste los tornillos del toldo lo que sea necesario hasta que el toldo y el anillo embellecedor para toldo estén colocados sin problemas. (Imagen 14)

ADVERTENCIA: Asegúrese de que la "Ficha de control" de la parte inferior del soporte de suspensión esté asentado de manera adecuada en la "Ranura de enganche" del lado de la bola de suspensión antes de acoplar el toldo al soporte. Si no puede asentar de manera adecuada la "Ficha de control" es posible que dañen los cables eléctricos cuando se cambie la dirección del aspa del ventilador para techo mientras esté funcionando el ventilador.

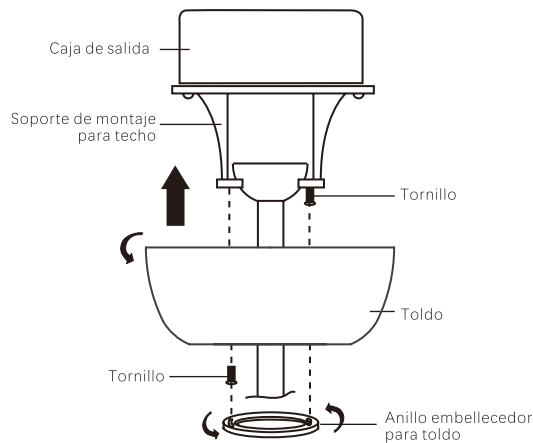


Imagen 14

PRECAUCIÓN: Para reducir el riesgo de descarga eléctrica, desconecte el circuito de corriente del ventilador, apague el disyuntor y quite el fusible de la caja de fusibles antes de instalar las aspas del ventilador, soportes para las aspas, placa de montaje, cubierta decorativa, kits de luces (no incluido).

INSTALACIÓN DE ASPAS DEL VENTILADOR Y LOS SOPORTES DE LAS ASPAS

Paso 1. Acople las aspas a los soportes para aspas con los tornillos de aspa y las arandelas de fibra incluidas. (Imagen 15) Al montar las aspas en los soportes de aspa, asegúrese de que estén planas las aspas. Ajuste cada tornillo de aspa para fijar, luego repita esto para cada aspa.

Paso 2. Coloque un soporte para aspa dentro de la rueda. (Imagen 15) Alinee los agujeros de montaje del soporte para aspa con los agujeros de montaje en la rueda, acople el soporte para aspa a la rueda con los tornillos de soporte incluidos, y ajuste los tornillos de soporte para fijarlos. Repita el paso para el resto de los soportes para aspa.

INSTALAR LA PLACA DE MONTAJE

Paso 1. Afloje dos de los tornillos en el anillo de montaje acoplado al eje del motor, quite y guarde el tercer tornillo. (Imagen 16)

Paso 2. Coloque las ranuras de bocallave de la placa de montaje sobre los tornillos que aflojó antes en el anillo de montaje. Gire la placa de montaje en sentido horario hasta que se ajuste en lugar en los extremos angostos de las ranuras de bocallave. Ajuste los dos tornillos de bocallave, vuelva a instalar el tercer tornillo que quitó antes y ajústelo para fijarlo. (Imagen 16)

INSTALACIÓN DE LA CUBIERTA DECORATIVA

Paso 1. Quite los tres tornillos de montaje preinstalados desde el borde exterior de la cubierta decorativa. (Imagen 16)

Paso 2. Coloque la cubierta decorativa en la placa de montaje con los agujeros en el borde exterior de la cubierta decorativa alineada con los agujeros del borde exterior de la placa de montaje. Enrosque los tres tornillos de montaje quitados previamente en la cubierta decorativa y placa de montaje, y ajústelos para fijarlos. (Imagen 16)

NOTA: Si desea instalar un kit de luces LED en este momento, primero instale el kit de luces LED a la cubierta decorativa, luego conecte los cables del kit de luces a los cables del ventilador, luego instale la cubierta decorativa a la placa de montaje.

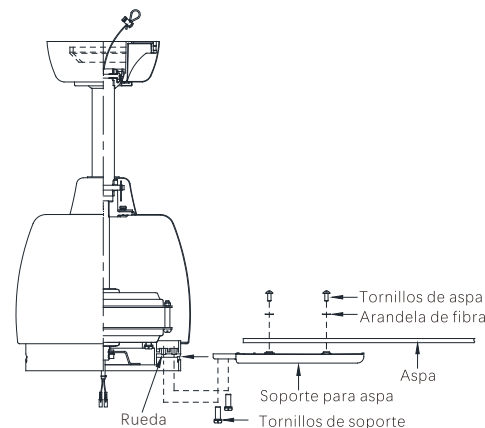


Imagen 15

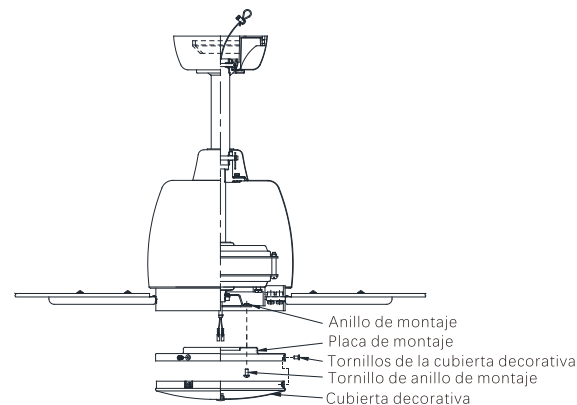


Imagen 16

INSTALACIÓN DE PLACA DE PARED DE COOLTOUCH™

ADVERTENCIA: Todo el cableado debe realizarse en conformidad con el Código Eléctrico Nacional y los códigos eléctricos locales. La instalación eléctrica debe realizarse por un electricista calificado matriculado.

Seleccione una ubicación e instale su placa de pared CoolTouch™. Puede reemplazar un interruptor de pared existente, o instalar la placa de pared en CUALQUIER superficie plana.

Opción 1: Instale la placa de pared con una caja de salida de interruptor de pared existente. **NOTA: La instalación del interruptor debe cumplir con todos los códigos eléctricos nacionales y locales. Asegúrese de que esté DESCONECTADA la corriente en el panel principal antes de continuar.**

Paso 1. Quite la placa de pared existente y el antiguo interruptor de la caja de salida de pared. Junte los cables NEGROS (calientes) y empuje hacia la caja de salida. (Imagen 17)

Paso 2. Instale la placa de pared CoolTouch™ a la caja de salida de pared existente con dos 2 tornillos incluidos. Coloque dos tapones de plástico en la placa de pared. (Imagen 18)

Opción 2: Instalar la placa de pared sobre CUALQUIER superficie plana.

Paso 1. Seleccione la ubicación deseada y placa de pared CoolTouch™ para marcar la ubicación para los agujeros de montaje.

Paso 2. Use anclajes para paneles de yeso y los tornillos incluidos para terminar la instalación.

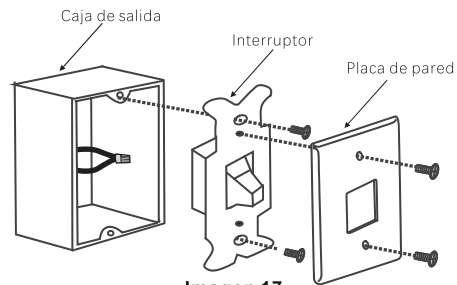


Imagen 17

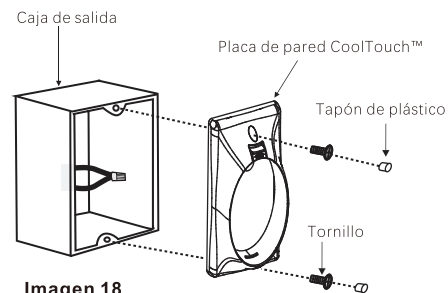


Imagen 18



Imagen 19

INSTALACIÓN DEL TRANSMISOR

Paso 1. Coloque el transmisor en la placa de pared al colocar primero la parte inferior del transmisor y luego presionar la parte superior del transmisor dentro del hueco. El transmisor funcionará plenamente desde esta ubicación o también puede quitarlo y usarlo como un dispositivo portátil. (Imagen 19)

Paso 2. Para quitar el transmisor de la placa de pared, debe pulsar el botón de liberación y el transmisor caerá sobre su mano.

INSTRUCCIONES DE OPERACIÓN

INSTALACIÓN DE LAS BATERÍAS DEL TRANSMISOR (Imagen 20)

Paso 1. Quite la cubierta trasera del transmisor y el tornillo de seguridad. (Imagen 20)
Instale dos baterías CR2032 de 3 V (con el lado + apuntando hacia arriba). Nota: Para evitar que se dañe el transmisor, quítele las baterías si no lo va a usar un largo periodo de tiempo (varios meses).

Paso 2. Reemplace la cubierta trasera del transmisor y el tornillo de seguridad.

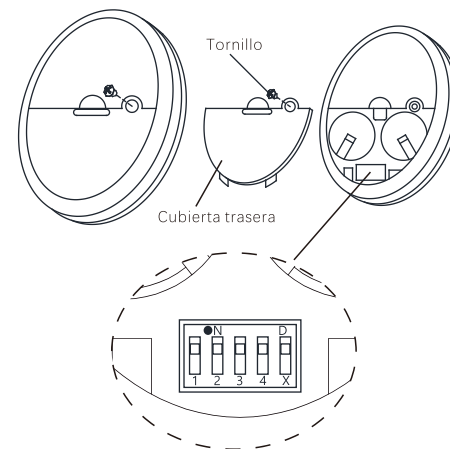


Imagen 20

ADVERTENCIA: Peligro de quemaduras químicas Mantenga las baterías fuera del alcance de los niños. Este producto contiene una batería de botón/moneda de litio. Si se traga o ingresa al cuerpo una batería de botón/moneda de litio, puede provocar quemaduras internas severas y llevar a la muerte en menos de 2 horas. Siempre asegúrese de proteger por completo el compartimiento de baterías. Si el compartimiento de batería no cierra bien, deje de usar el producto, quite las baterías, y manténgalo fuera del alcance de los niños. Si piensa que se tragaron o ingresaron alguna de las baterías a cualquier parte del cuerpo, busque ayuda médica de inmediato.

a) Las baterías deben desecharse de manera adecuada, y manteniéndolas fuera del alcance de los niños; y
b) Incluso las baterías usadas pueden provocar lesiones.

CONFIGURACIÓN DE LA FRECUENCIA "1-4" DE LOS INTERRUPTORES DIP (Imagen 20)

NOTA: La frecuencia "1-4" de los interruptores DIP se estableció de fábrica. No es necesario ningún cambio de frecuencia.

Si necesita cambiar la frecuencia de su transmisor, ajuste los interruptores DIP a una nueva configuración. Luego, siga las instrucciones de "VINCULACIÓN DEL TRANSMISOR AL VENTILADOR" de la siguiente página.

CONFIGURACIÓN DE LA FUNCIÓN DE LUZ "D/X" DEL INTERRUPTOR DIP (Imagen 20)

Si se instaló un accesorio de kits de luces en este ventilador, se debe establecer el interruptor (D/X) (Regulable/No regulable) del transmisor para que coincida con la fuente de luz que se usa. Establezca el interruptor a "D" si el kit de luces tiene una luminaria LED integrada regulable, o si tiene instaladas lámparas incandescentes, halógenas o LED regulables. Establezca el interruptor a "X" si el kit de luces tiene una luminaria LED integrada no regulable, o si tiene instaladas lámparas fluorescentes o LED no regulables.

ADVERTENCIA: Si no se estableció el interruptor "D/X" el sistema de control de iluminación operará de manera errática y es posible que dañe su ventilador para techo.

INSTRUCCIONES DE OPERACIÓN (continuación)

VINCULACIÓN DEL TRANSMISOR AL VENTILADOR

NOTA: Su transmisor fue vinculado al receptor de su ventilador de fábrica. No es necesario ningún cambio de frecuencia. Si el ventilador no funciona o si desea instalar un ventilador adicional con un código de frecuencia diferentes, siga el Paso 1 para vincular un transmisor al receptor.

ADVERTENCIA: Asegúrese de que esté desconectada por completo la corriente antes de iniciar este proceso.

Importante: Deben instalarse el motor y las aspas del ventilador antes de que se pueda comenzar el proceso de vinculación.

Paso 1. Restaure la corriente al circuito derivado del ventilador para techo en el disyuntor o caja de fusibles. Dentro de 60 segundos de restaurar la corriente, mantenga pulsado el botón "⏻" del transmisor (Imagen 21) por 5 segundos. La luz trasera del control remoto titilará dos veces y el ventilador girará por varios segundos. Esto confirmará que se completó la vinculación. El transmisor estará vinculado a su ventilador y listo para usarse.

Paso 2. Pruebe diferentes configuraciones de velocidad del transmisor para asegurarse que el ventilador funcione por completo. Si no puede programarlo, vuelva a intentar el paso 1.

NOTA: Conserve esta página en caso de que se necesite reprogramar en el futuro, o si se agrega un control remoto adicional.

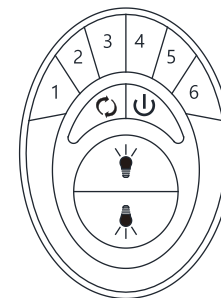




Imagen 21

INSTRUCCIONES DE BOTONES

Botones de control de velocidad del ventilador 
1 es la velocidad más baja y 6 es la velocidad más alta.
Pulse uno de los botones para encender el ventilador en la velocidad correspondiente, o para cambiar velocidades.

Botón de apagado 
Pulse una vez para apagar el ventilador.

Botón de reversa 
Con el ventilador en funcionamiento, pulse el botón de reversa una vez, y el ventilador girará en la dirección opuesta.

Botón de luz 
Pulse una vez para encender o apagar la luz.
Mantenga pulsado para atenuar o aumentar la luz al nivel deseado, luego suéltelo.

FUNCIÓN REVERSA

Para operar la función reversa en este ventilador, pulse el botón de "Reversa" del transmisor mientras el ventilador esté en funcionamiento.

Clima caliente - Adelante (sentido antihorario) A un flujo de aire descendiente crea un efecto de refrigeración como se muestra en la (Imagen 23) Esto le permitirá establecer su aire acondicionado en una configuración más caliente sin que se vea afectada su comodidad.

Clima frío - Reversa (sentido horario) Un flujo de aire ascendiente mueve el aire caliente lejos de la zona del techo como se muestra en la (Imagen 24). Esto le permitirá establecer su unidad de calentamiento en una configuración más fría sin que se vea afectada su comodidad.

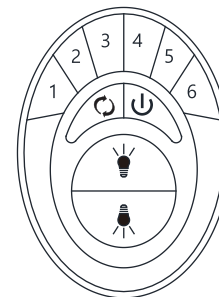


Imagen 22

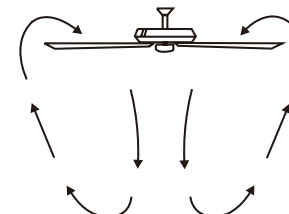


Imagen 23

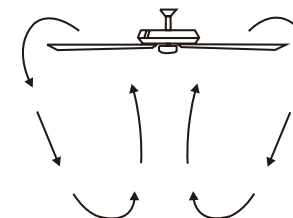


Imagen 24

SOLUCIÓN DE PROBLEMAS

Problema

Solución

El ventilador no se enciende.

- 1.Revise los fusibles o disyuntores.
- 2.Asegúrese de que las baterías del transmisor estén instaladas de manera adecuada con el lado + apuntando hacia arriba, y que todavía estén cargadas.
- 3.Revise todas las conexiones eléctricas para asegurarse de que haya un contacto adecuado.
PRECAUCIÓN: Asegúrese de que esté desconectada la corriente al revisar cualquier conexión eléctrica.

El ventilador suena ruidoso.

- 1.Asegúrese de que todos los tornillos de la carcasa del motor estén enganchados sin problemas.
- 2.Asegúrese de que los tornillos que se acoplan a los soportes de las aspas del ventilador del motor estén bien ajustados.
- 3.Asegúrese de que las conexiones de las tuercas para cable no se froten entre ellas o con la pared interior de la carcasa del interruptor.
PRECAUCIÓN: Asegúrese de que esté desconectada la corriente.
- 4.Permita un período de "rodaje" de 24 horas. La mayoría de los ruidos de un ventilador nuevo desaparecerán luego de este tiempo.
- 5.Si usa un kit de luces opcional, asegúrese de que estén bien ajustados los tornillos que fijan la cristalería. Asegúrese de que las bombillas de luz no toquen cualquier otro componente.
- 6.No conecte este ventilador a controles de velocidad variable montados sobre pared. No son compatibles con los motores del ventilador para techo o controles remoto.
- 7.Asegúrese de que el toldo superior tenga una corta distancia con el techo. No debe tocar el techo.

SOLUCIÓN DE PROBLEMAS

Problema

Solución

Tambaleo del ventilador.

1. Revise que todos los tornillos de las aspas y del brazo de aspa estén bien fijados.
2. La mayoría de los problemas de tambaleo de un ventilador son provocados porque están desniveladas las aspas. Revise la nivelación al seleccionar un punto del techo arriba de la punta de una de las aspas. Mida la distancia. Gire el ventilador hasta que la siguiente aspa se ubique para su medición. Repita este paso con cada aspa. La desviación de distancia debe ser igual dentro de 1/8 pulg.
3. Si se nota mucho el tambaleo del aspa, intercambiar dos aspas adyacentes (lado a lado) puede redistribuir el peso y lograr una operación más fluida.

Mal funcionamiento del control remoto.

1. Los ventiladores para techo con sistemas de control remoto NO pueden operar con cualquier otro sistema de control EXCEPTO un interruptor de pared básico de encendido/apagado si lo desea.

ADVERTENCIA: PARA REDUCIR LOS RIESGOS DE LESIONES PERSONAS Y GARANTIZAR LA OPERACIÓN ADECUADA DE SU VENTILADOR PARA TECHO, NUNCA ACOPLE LOS MONTAJES DE ASPA HASTA QUE NO HAYA MONTADO EL VENTILADOR EN EL TECHO. NO DOBLE LOS BRAZOS DEL ASPA DURANTE LA INSTALACIÓN, BALANCEO O LIMPIEZA DEL VENTILADOR. NO COLOQUE OBJETOS EXTERNOS ENTRE LAS ASPAS GIRATORIAS DEL VENTILADOR.

INFORMACIÓN DE FCC

Este dispositivo cumple con el inciso 15 de las normas FCC. La operación está sujeta a las siguientes dos condiciones:

- 1) Este dispositivo no deberá provocar interferencia nociva, y
- 2) Este dispositivo deberá aceptar cualquier interferencia recibida, incluyendo la interferencia que pueda provocar una operación no deseada.

Nota: Este equipo fue probado y se determinó que cumple con todos los límites para un dispositivo digital de Clase B, de conformidad con el inciso 15 de las normas FCC. Estos límites fueron diseñados para proporcionar una protección razonable contra interferencia nociva en una instalación residencial. Este equipo genera, usa y puede irradiar energía de radio frecuencia y si no se instala y uso de conformidad con las instrucciones, puede provocar una interferencia nociva a las radio comunicaciones. Sin embargo, no hay ninguna garantía que no se producirá una interferencia en una determinada instalación. Si este equipo provocar una interferencia nociva a la recepción radial o televisa, que se puede determinar al encender o apagar el equipo, se recomienda al usuario que intente corregir la interferencia tomando una o más de las siguientes medidas:

- Reorientar o reubicar la antena receptora.
- Aumentar la separación entre el equipo y el receptor.
- Conectar el equipo a un enchufe de un circuito diferente al que se conectó el receptor.
- Consultar con el distribuidor o con un técnico experimentado de radio/televisión para más ayuda.

KICHLER®

www.kichler.com

**KICHLER LIGHTING LLC
30455 SOLON ROAD
SOLON, OHIO 44139 EE. UU.**

**SERVICIO AL CLIENTE 866.558.5706
8:00 AM A 5:00 PM EST, DE LUNES A VIERNES**

10/6/2023

© Kichler Lighting LLC. Todos los Derechos Reservados.