



EMERSON

E140S

60" x 33" x 22" END DRAIN

GENERAL

- High-gloss, high-impact UV-resistant acrylic
- Adjustable feet
- Minimalist tub design
- Skirted on two sides for corner installation

OPERATING GALLONS

63 (approx.)

COLORS AVAILABLE

- White

INTEGRATED WASTE & OVERFLOW

- Polished Chrome standard
- Color Match White available as upgrade

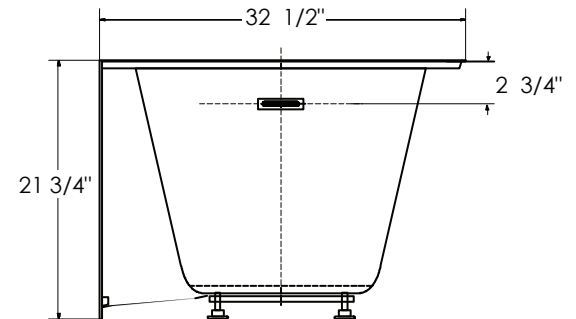
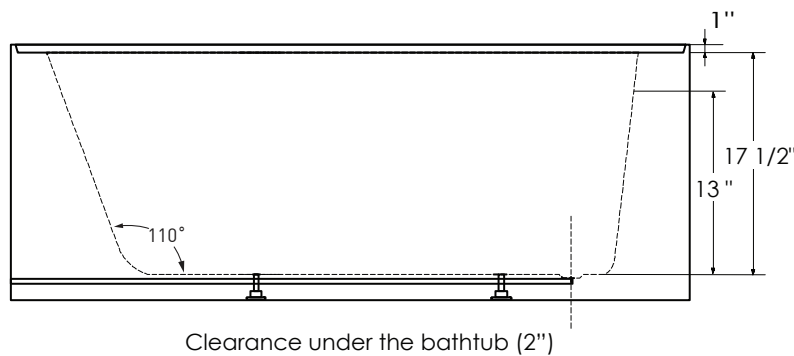
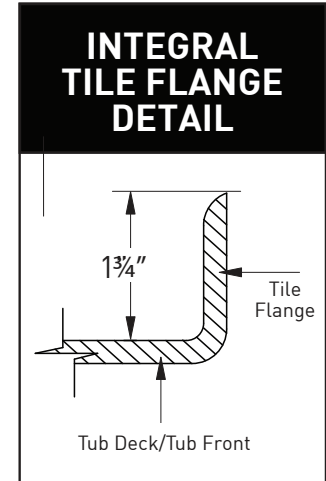
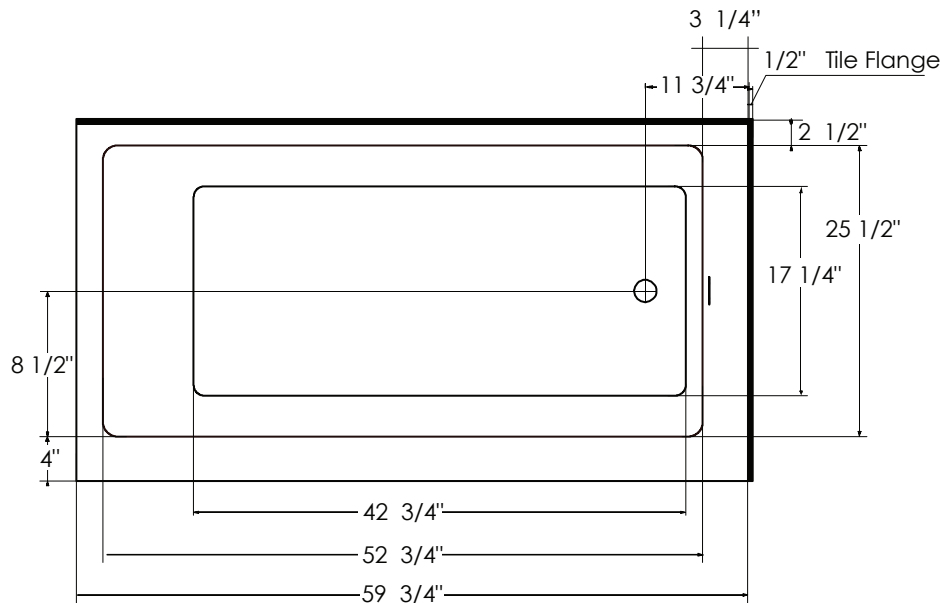
FOR INFORMATION
OR TO PLACE AN ORDER
CALL 1.800.288.7771



JETTASOAK
HYDROTHERAPY

EMERSON E140S

JETTA SOAK HYDROTHERAPY | 60" x 33" x 22" | END DRAIN



CODES/STANDARDS

Specified model meets or exceeds the requirements for the following standards: ANSI, ASME

Installation: Measure tub before building tub deck. For best results, Jetta Corporation recommends 1"-3" of mortar bedding under the tub base for maximum support. Dimensional variance on drawings may be +/- 1/2 inch and are subject to change without notice.

JETTACORP.COM



© 2020 Jetta Corporation. All rights reserved. Specifications are subject to change without notice. REV 12/2020

TECHNICAL SPECIFICATIONS