

Walk-in Collection

# J95

52" x 32" x 40"

OUT-SWING DOOR



**SOAKPLUS**  
HYDROTHERAPY



**JETTA**

# BELMONT

52" x 32" x 40" - RECTANGLE



## STANDARD SOAK PLUS FEATURES

- Active Drain system

## STANDARD SAFETY FEATURES

- Built-in safety grab bar
- Safety U-Bar
- Slip resistant bottom
- Polished Chrome ADA waste & overflow
- 34" Wide Out-Swing Door

## STANDARD INSTALLATION FEATURES

- 3-sided tile flange kit
- Wall extension kit to fit standard 60" opening



## OPTIONS AVAILABLE

- Roll-up Gel Spa Pillow
- Contoured Seat Cushion

## COLORS AVAILABLE

White

## WARRANTY

Lifetime Limited

## RECOMMENDED OPERATING

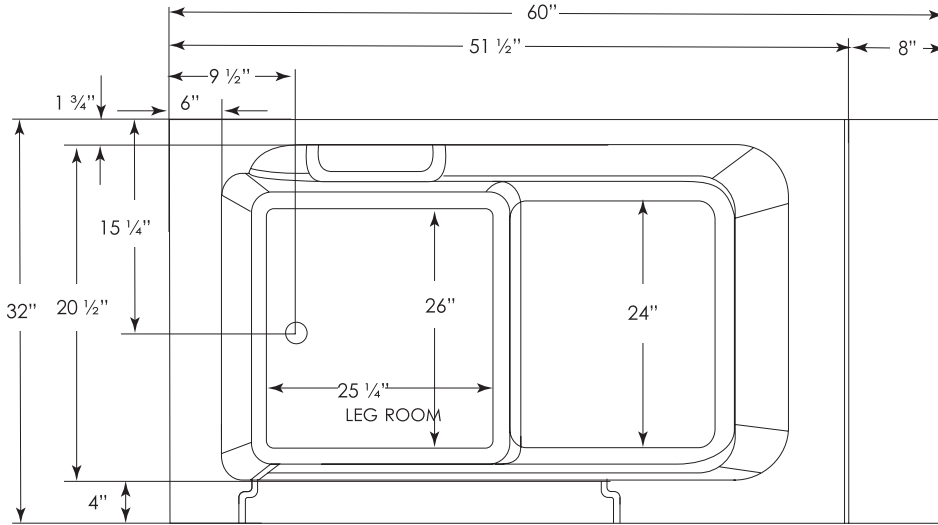
**GALLONS** Regular Usage - 75 gal.

# J95

Walk-in Collection

# BELMONT

**SOAK PLUS HYDROTHERAPY** | 52" x 32" x 40" | **OUT-SWING DOOR**



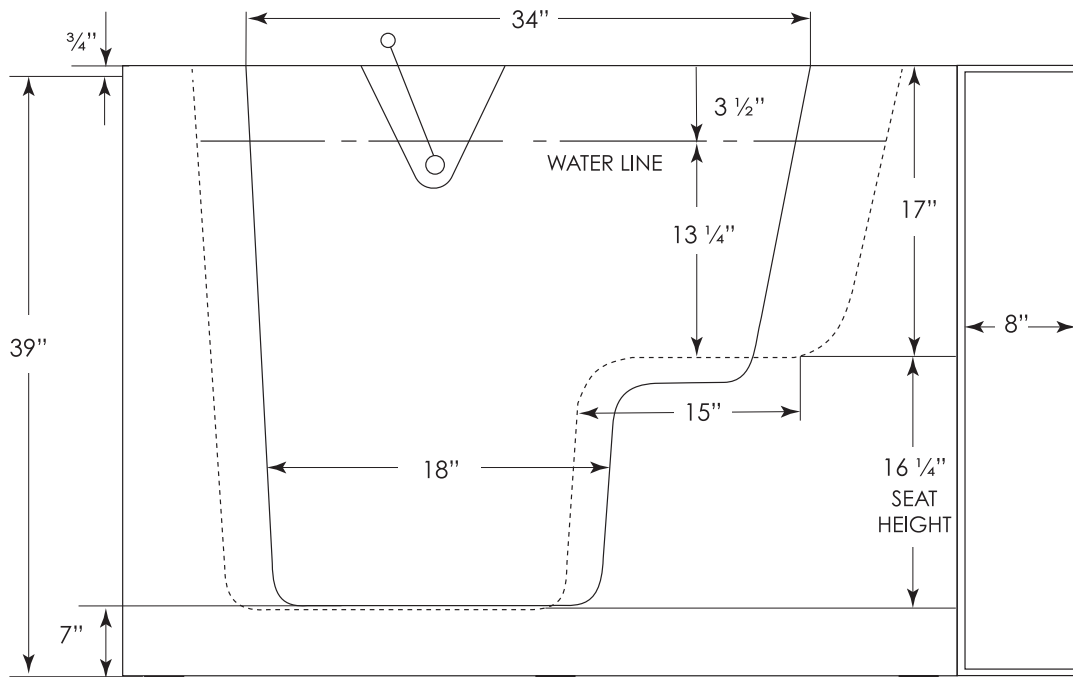
### ELECTRICAL SPECIFICATIONS

Required Electrical Service  
(1) Dedicated 20 amp GFI breaker 110/115 Volts

### CODES/STANDARDS APPLICABLE

Specific model meets or exceeds the requirements for the following standards: ANSI, ASME

**SHIPPING WEIGHT** 275 lbs



### MEASURE TUB BEFORE INSTALLATION.

Dimensional variance on drawings may be +/- 1/2 inch and are subject to change without notice.

JETTACORP.COM



© 2021 Jetta Corporation. All rights reserved. Specifications are subject to change without notice. REV 12/2021

# TECHNICAL SPECIFICATIONS