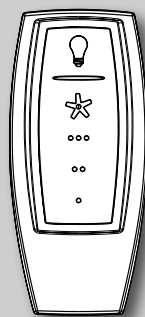


# Hunter®

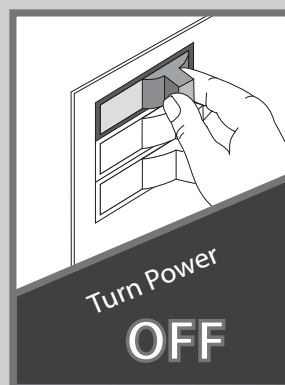


## Ceiling Fan Remote Control Models 99147, 99310

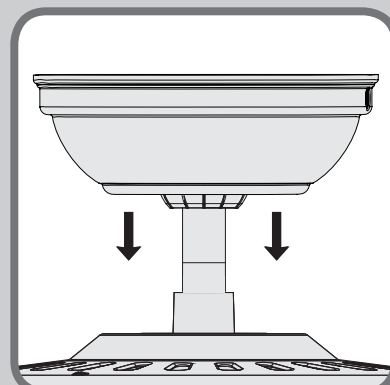
### Important Instructions: Keep Instructions for future use



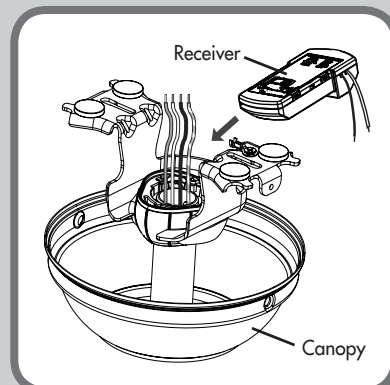
### Installation



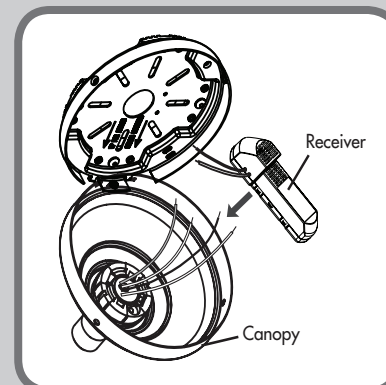
Before installing the Universal Remote Control Receiver, use the pull chains to set the fan speed to HIGH and the light to ON. Be sure power is OFF before proceeding with installation.



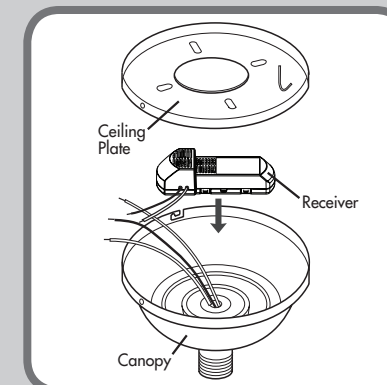
Remove the canopy. If uncertain how to remove it, reference the fan's owner's manual. With wiring exposed, it may be helpful to note existing wire connections or take a digital photo for reference. Remove the wire connectors that connect the wires from the outlet box to the fan, leaving the grounding wires connected.



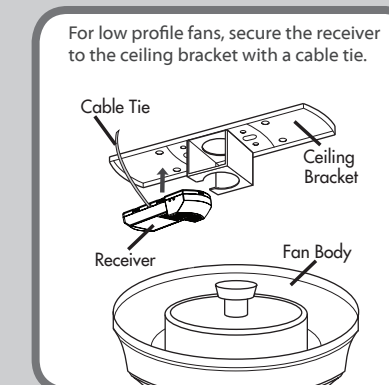
OR



OR



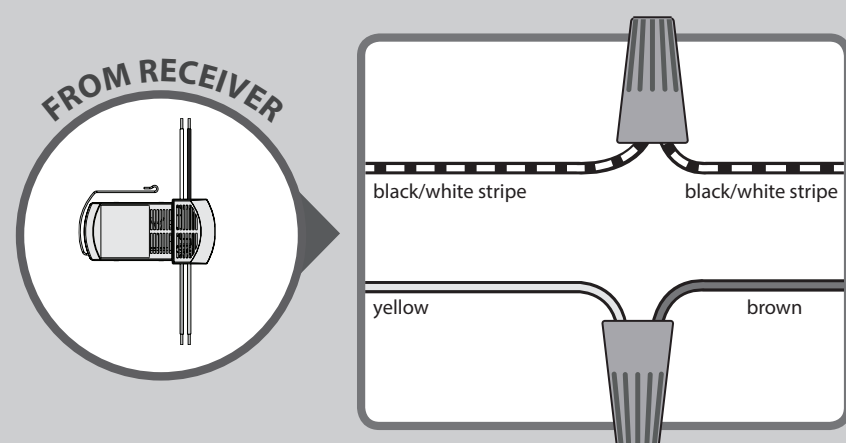
OR



**Choose the hanging system that most closely resembles the one used by your fan and install the receiver as shown and wire as directed.**

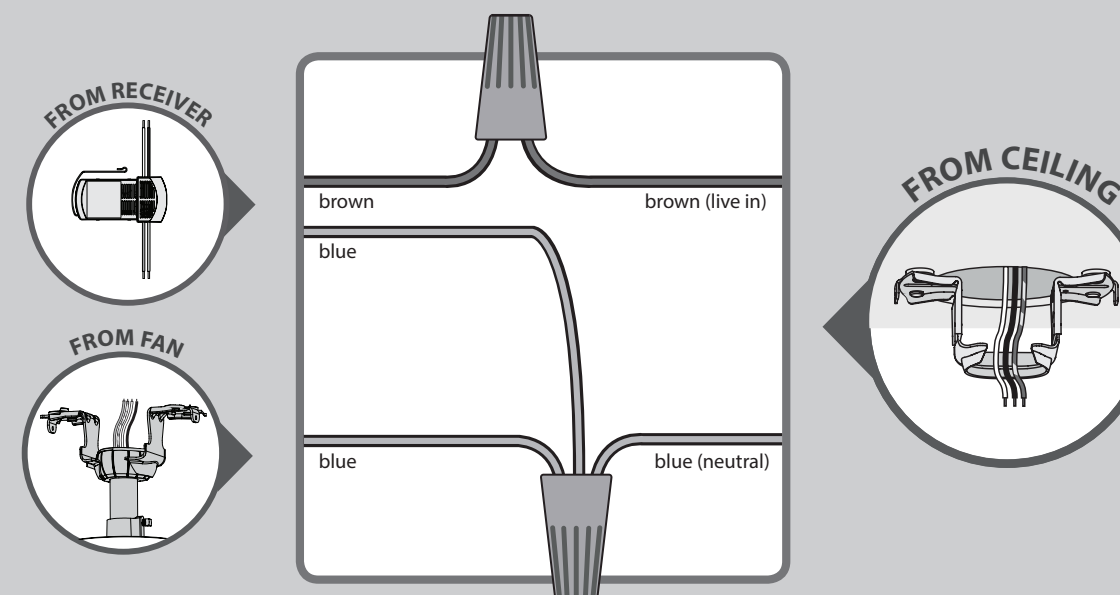
**Note:** Some fans may have considerable excess lead wire. For easier canopy installation, cut the excess wire, leaving a minimum of 8" remaining. Re-strip the fan lead wires 1/2". Place remaining excess wire into the ceiling electrical box. The bracket and fan must remain properly grounded.

### Wiring



**CONNECT WIRES FROM RECEIVER TO FAN** - Using the wire connectors, connect the black and white wire from the receiver to the black and white wire from the fan. Connect the yellow wire from the receiver to the brown wire from the fan.

If you're uncertain about wire colors or connections, please contact a qualified electrician.



**CONNECT WIRES FROM RECEIVER AND FAN TO WIRES FROM OUTLET BOX** - Using the wire connectors, connect the brown (live in) wire from the ceiling to the brown wire from the receiver. Connect the blue (neutral) wire from the ceiling to both the blue wire from the receiver and the blue wire from the fan.

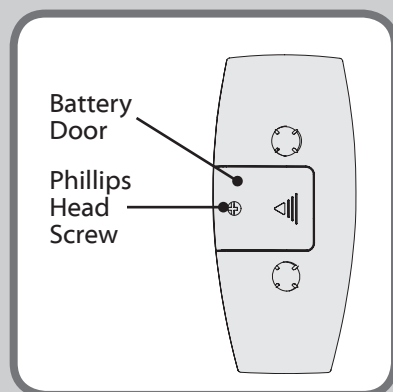
If you're uncertain about wire colors or connections, please contact a qualified electrician.

**AFTER ALL WIRES ARE CONNECTED** and secured with wire connectors, re-install the canopy.

To avoid possible electrical shock, before installing or servicing your fan, disconnect the power by turning off the circuit breakers to the outlet box and associated wall switch location. If you cannot lock the circuit breakers in the off position, securely fasten a prominent warning device, such as a tag, to the service panel.

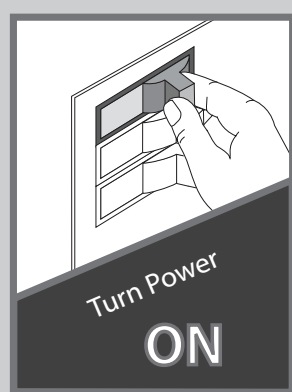
Turn the splices upward and push them carefully back through the hanger bracket into the outlet box. Spread the wires apart, with the grounded wires on one side of the outlet box and the ungrounded wires on the other side of the outlet box.

## Maintenance



### INSTALLING OR CHANGING THE BATTERY

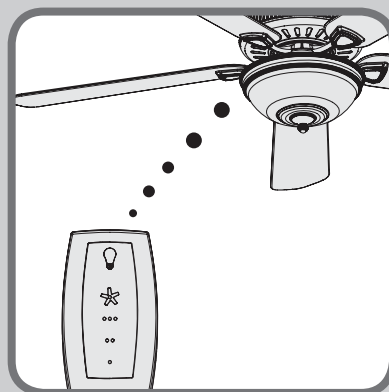
To access the battery compartment remove the small Phillips head screw that secures the battery door to the transmitter assembly. The battery should be installed with the positive (+) side up. Replace with a CR2032 battery when necessary.



### IMPORTANT

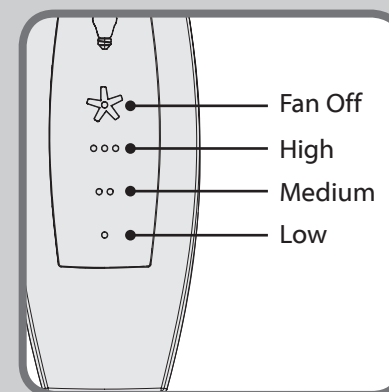
Use the pull-chain switch on the fan to set the fan speed to the HIGH position before operation.

## Operation



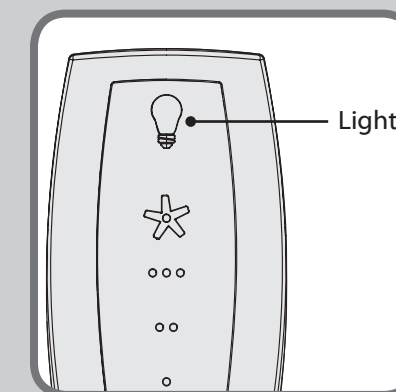
The remote transmitter should already be paired to the receiver and ready to use.

**Note:** If your need to pair (or unpair) your remote, turn fan power off and back on at the wall switch. Within 3 minutes, press and hold both the Fan Off button and the High button for 4 seconds to pair the remote. **To prevent faulty operation, please ensure all other ceiling fans within range are turned off at the wall switch while pairing or unpairing.**



The Fan Off button only turns the fan off. To turn the fan on, press one of the fan speed buttons.

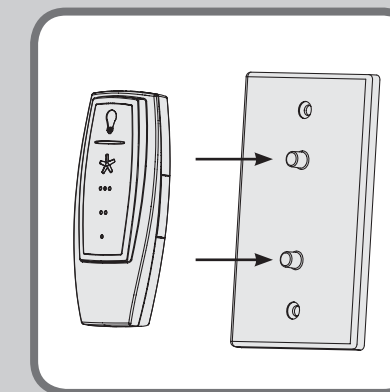
- ooo High
- oo Medium
- o Low



Quickly press the Light button to turn the lights off and on. Hold the Light button to raise and dim the light level.

**Dimming Mode:** To enable dimming, you must first set your remote to Dimming Mode. To toggle Dimming Mode on or off, hold down the Fan Off button while pressing the Light button twice.

## Cradle



Your remote control comes with a wall mount that has two posts to mount your remote control when not in use.

## Safe-Exit

The Safe-Exit Program gives you about thirty seconds of light when you turn the lights off to exit the room before the lights go out. To use Safe-Exit:

- Press the Fan Off button for at least three seconds to initiate the Safe-Exit Mode.
- The lights will flash for visual confirmation.
- The lights will stay on 50% brightness for 15 seconds and then begin to dim. After a total of 30 seconds, the lights will be completely off.

**Note:** For CFL lighting, the lights will stay on 100% brightness for 30 seconds. After a total of 30 seconds, the lights will be completely off.

## Troubleshooting

### Fan will not start

- Make sure the power switch is on.
- Make sure the battery is working.
- Make sure that the transmitter and receiver are paired.
- Check wire connections inside of the canopy.

### Remote control of fan is erratic

- Make sure the battery is installed correctly.
- Install a fresh battery.

### Transmitter only works when held at close range

- Change battery.

### Lights do not dim

- Toggle the Dimming Mode on: Hold down the Fan Off button while pressing the Light button twice. If the problem is not corrected, repeat the process up to three times.

### CFL bulbs flicker

- Toggle the Dimming Mode off: Hold down the Fan Off button while pressing the Light button twice. If the problem is not corrected, repeat the process up to three times.

## Warranty Statement

### I - TERM AND PROOF OF WARRANTY

1. Hunter Remote Controls are warranted by Hunter Fan do Brasil for a period of **1 (one) year** from the date of purchase by the first consumer, this being:
  - 3 (three) months of statutory warranty; and
  - 9 (nine) months of contractual warranty provided by Hunter Fan do Brasil.
2. In order to demonstrate proof of the warranty period, the consumer must present this Warranty Statement, duly completed, together with the 1st (first) copy of the bill of sale (or equivalent fiscal document identifying the product), in the manner and at the location described in Section IV below.

**It is therefore necessary to ensure that the retailer completes the bill of sale correctly.**

### II - SCOPE OF THE WARRANTY

1. This contractual warranty is provided for a Hunter Remote Control acquired in Brazilian territory and is offered exclusively against any defects arising from the design and manufacture, or any other defects in quality, that render the product unfit or unsuitable for normal use.
2. The contractual warranty does not apply to batteries or to deterioration or damage to the product caused by the use of faulty batteries.
3. Any extended warranty that may be contracted by the consumer does not place any obligation on Hunter Fan do Brasil, since such a contract is executed between the consumer and the insurer.

### III - WARRANTY EXCLUSIONS

1. The warranty **does not cover** the following items, which are therefore the consumer's responsibility:
  - a) damage to the product or its accessories due to accident, abuse, or improper and incorrect handling;
  - b) damage to the product as a result of its use for purposes other than those specified by Hunter Fan do Brasil, or that are incompatible with the purpose of the product;
  - c) improper installation or installation that exposes an electrical product to adverse conditions;
  - d) defects in the electrical parts of the product caused by deficiencies in external wiring or caused by the local electrical supply company.
  - e) damages resulting from accidents during transportation and storage or due to mishandling.

### IV - PROCEDURE FOR WARRANTY CLAIMS

1. Warranty repairs shall only be performed by an Authorized Service Center appointed by Hunter Fan do Brasil, which provides specialized technicians and original parts, guaranteeing the service provided.
2. A list of Authorized Service Centers can be found at the Hunter Fan do Brasil internet site: [www.HunterFan.com.br](http://www.HunterFan.com.br).
3. The cost of transporting the product to the Authorized Service Center, regardless of the reason, shall be borne by the consumer.

### V - RESCISSION OF THE WARRANTY

1. Repair of a product by unauthorized persons or repair services that are not accredited by Hunter Fan do Brasil shall immediately rescind the warranty.
2. Hunter Ceiling Fans are solely and exclusively designed for domestic use. Their use in non-domestic, industrial or commercial applications shall signify immediate rescission of the warranty.

### VI - EXCLUSIONS FROM THE WARRANTY

1. This warranty **DOES NOT COVER:**
  - a. the cost of installing the product;
  - b. calls related to information that is contained in the Owner's Manual, or is shown on the product itself. These service calls shall be charged if they occur;
  - c. damage to plastic parts;
  - d. implicit warranties - This warranty replaces all other warranties, implicit or implied, and no representative or third party is authorized to assume any other obligation relating to the sale of Hunter ventilators on behalf of Hunter Fan do Brasil.
2. Hunter Fan do Brasil shall not be liable for any direct, indirect or consequential damages resulting from the use or performance of the product, nor other losses relating to material damage or pecuniary losses due to non-compliance with the instructions in the Owner's Manual.

### VII - SPECIAL RECOMMENDATIONS

1. Before operating the product, **carefully read the operating instructions and/or installation instructions shown on the product, the packaging, or contained in the respective manual. Follow them closely. They are provided for your safety.**
2. Make sure that the voltage to be used is the same as that shown on the appliance (127 V or 220 V). Ensure that the electrical installation at the location is correct and in perfect order, and also that the electrical frequency is correct for the country in which the product is being used.
3. In order to avoid damage, keep the product clean and properly stored in an environment protected from the weather (rain, wind, humidity, solar radiation, etc.).

### VIII - MANUFACTURER, IMPORTER AND PRODUCT INFORMATION

Manufacturer: Hunter Fan Company  
 Importer: Hunter Fan do Brasil Ltda.  
 011.2985.7454  
 CNPJ: 20.089.903/0001-06  
[contatobrasil@hunterfan.com](mailto:contatobrasil@hunterfan.com)  
 Product Model:  
 Lot:  
 Certified Installer Installation Code:  
 Consumer:  
 Personal Tax Number ("CPF"):  
 Place of purchase:  
 Date of Purchase:  
 Bill of Sale or Tax Invoice Number: